

PUMPS: POUCHED PRODUCTS REMOTE DISPENSING SYSTEMS

Model CP-RP

WHAT DO YOU DISPENSE?

- THIN • fountain syrups • liqueur • hot or soy sauce
- THICK • ketchup • mustard • mayo • bbq sauce
- PARTICULATES • tartar sauce • Thousand Island



CP-RP 85781 (LEFT)



CP-RP 85783 (RIGHT)

BID DESCRIPTION

Server Products Remote Dispensing Systems serve from one or two 1½ gallon (6L) pouches with 16 mm fitment or 3 gallon (12 L) Volume Pack pouches with 38 mm fitment. **New** flush-mount design easily installs into countertops up to 1 ¾" (4.4 cm).

The stainless steel pump is constructed with a modified cast valve to form an airtight, sanitary seal with the pouch. Maximum stroke yields 1 ounce (30 mL) with gauging collars provided to reduce portions in 1/8 ounce (3.7 mL) increments. Pump knob can be colored and engraved to identify contents (pictured with Yellow and Red); black is standard.

Your condiment packaging determines pouch support kit style. Also choose from (1) or (2) pouches per pump for increased time between product change-outs. All connecting hardware included.

STANDARD FEATURES

- Undercounter storage of condiments hides condiment pouches for increased time between product change-outs
- Sealed system virtually eliminates cross-contamination
- Unit can be removed and cleaned at the dish station
- Attaches to (16 mm) or (38 mm) bag fitments; 1½ gallon (6 L) or 3 gallon (12 L)
- New flush-mount design easily installs into countertops up to 1 ¾" (4.4 cm) thick
- 1 oz (30 mL) maximum portion is adjustable in 1/8 ounce (3.7 mL) increments
- Colored, engraved knob to identify contents are available upon request (contact customer service for options)



2 YEAR
WARRANTY

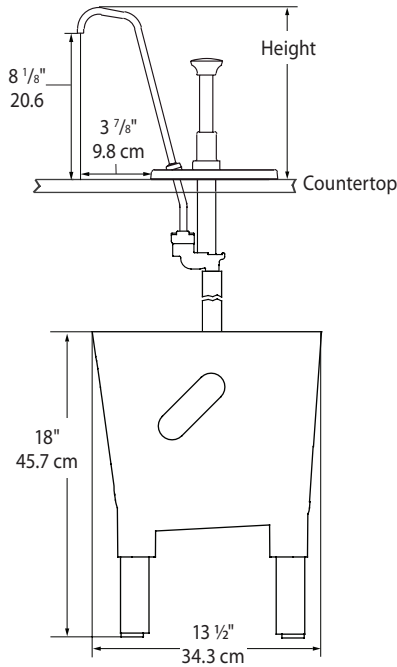
TWO YEAR WARRANTY

Server Products equipment is backed by a two-year limited warranty against defects in materials and workmanship. For a copy of our complete warranty statement, please refer to server-products.com.

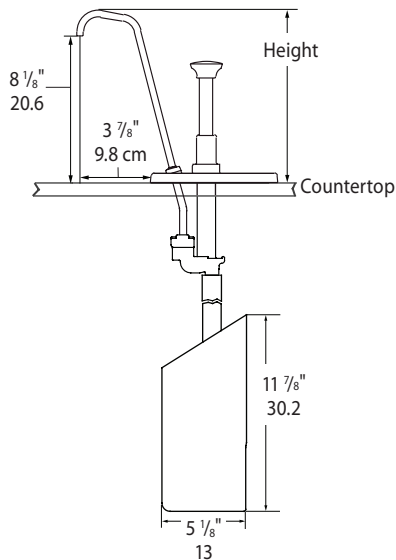
PUMPS: POUCHED PRODUCTS REMOTE DISPENSING SYSTEMS

Model CP-RP

VOLUME PACK FITMENT & POUCH SUPPORT



CRYOVAC™ FITMENT & POUCH SUPPORT



MODELS ●●●	16 MM FITMENT		38 MM FITMENT	
	Single 85781	Twin 85782	Single 85783	Twin 85784
Pouch Holder Dims	Single 85781	Twin 85782	Single 85783	Twin 85784
Height	11 7/8" 30.2 cm	11 7/8" 30.2 cm	18" 45.7 cm	18" 45.7 cm
Width	12 1/4" 31.1 cm	12 1/4" 31.1 cm	10 1/2" 26.7 cm	10 1/2" 26.7 cm
Depth	5 1/8" 13 cm	5 1/8" 13 cm	13 1/2" 34.3 cm	13 1/2" 34.3 cm
Hose Length	42" 106 cm	(1) 42" (2) 24"* 106, 61 cm	42" 106 cm	(1) 42" (2) 24"* 106, 61 cm
Weight	9 lb 4.1 kg	11 lb 5 kg	12 lb 5.4 kg	18 lb 8.2 kg
Capacity	1 1/2 gal 6 L	(2) 1 1/2 gal (2) 6 L	3 gal 12 L	(2) 3 gal (2) 12 L
Dimensions <small>(above counter)</small>	9 9/16" (24.3 cm) High x 4 1/2" (11.4 cm) Wide x 11 1/2" (29.2 cm) Deep			
Cutout Size	Reference Installation Manual			

* One 42" (106 cm) vertical hose forms a "T" to (2) 24" (61 cm) horizontal hoses.

FOB RICHFIELD, WISCONSIN 53076

CAD LIBRARY

Individual CAD images can be downloaded free of charge from our website. Our complete collection of CAD files, along with more than 100 other manufacturers, can be purchased through Kochman Consultants, Ltd. at kclcad.com.