

TOPPING EQUIPMENT

POUCHED TOPPING WARMER

Model EZT & EZT-S



EZT-85899



EZT-S 85790

BID DESCRIPTION

The EZ-Topper™ is a sealed system that portions heated fudge and caramel topping while preheating an additional pouch of each product. Constructed of a stainless steel base with a black plastic top and bottom, the airtight and sanitary system eliminates the need for a water bath.

EZ-Topper™ exclusively uses 48 oz (1.4 L) pouches with a center fitment. Capacity for the EZT is four pouches; two dispensing, two preheating and the capacity for the EZT-S is two pouches; one dispensing, one preheating.

Two adjustable, precalibrated thermostats control individual 200 watt heating elements on the EZT while the EZT-S has one thermostat. Range of temperature is from 100°F (38°C) to 200°F (93°C). Power is controlled with an ON/OFF rocker switch for each well.

Pumps are constructed with a cast valve body featuring captured valve balls to prevent loss. A maximum portion of 1 ounce (30 mL) per stroke can be reduced in 1/8 ounce (3.7 mL) increments with supplied gauging collars.

STANDARD FEATURES

- Stainless steel base and pumps for durability
- Closed, sanitary system dispenses from one pouch while warming a second pouch to serving temperature
- EZT accepts (4) 48 oz bags (1.4 L); (2) dispensing, (2) preheating while the EZT-S accepts (2) bags—eliminating downtime during changeout
- Outside of pump remains clean
- 200 watt heating elements provide individual heating
- Maximum pump stroke yields 1 oz (30 mL), adjustable in 1/8 oz (3.9 mL) increments - allows for Portion Optimization™
- Pump design prevents loss of valve balls
- EZT includes Yellow and Tan knobs engraved with Caramel and fudge

PRODUCT AVAILABILITY

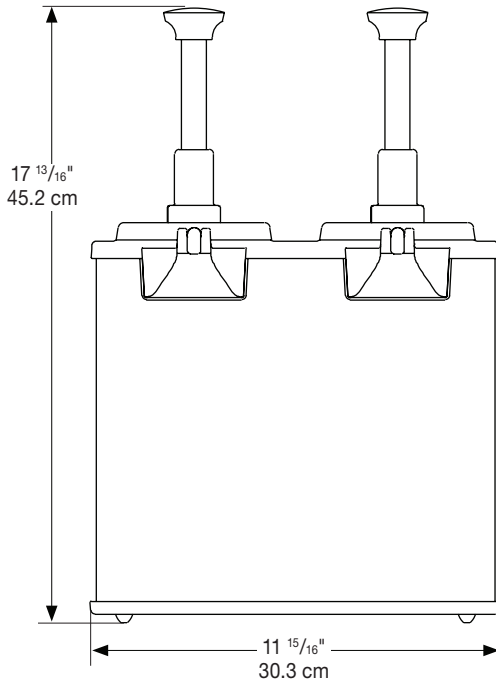
Pouched product in 48 oz (1.4 L) Cryovac® bags with center fitment is currently available in limited markets for Caramel and Fudge. Contact our customer service department before purchasing to ensure product is available.



TOPPING EQUIPMENT POUCHED TOPPING WARMER

Model EZT & EZT-S

EZ TOPPER - 85899



MODELS	EZT 85899	EZT-S 85790
Capacity	(4) 48 oz pouches; (2) pumping, (2) preheating	(2) 48 oz pouches; (1) pumping, (1) preheating
Height	17 ¹³ / ₁₆ " 45.2 cm	18 ¹ / ₄ " 46.4 cm
Width	11 ¹⁵ / ₁₆ " 30.3 cm	6" 15.2 cm
Depth	12 ³ / ₄ " 32.4 cm	14 ³ / ₃₂ " 35.8 cm
Weight	27 lb 12.2 kg	13 lb 12.2 kg
Electrical	120V, 60Hz, 415W, 3.5A, 72 in (183 cm) cord set, NEMA 5-15P, 15A, 125V PLUG	120V, 60Hz, 215W, 2A, 72 in (183 cm) cord set, NEMA 5-15P, 15A, 125V PLUG

FOB RICHFIELD, WISCONSIN 53076

CAD LIBRARY

Individual CAD images can be downloaded free of charge from our website. Our complete collection of CAD files, along with more than 100 other manufacturers, can be purchased through Kochman Consultants, Ltd. at kclcad.com.

TWO YEAR WARRANTY

Server Products equipment is backed by a two-year limited warranty against defects in materials and workmanship. For a copy of our complete warranty statement, please refer to server-products.com.

EZ TOPPER - SINGLE - 85790

