

SUNFIRE®

X Series Gas Restaurant Ranges

models **X24 / X36 / X60**

PARTS LIST

P (US & Canada): 1 800 427 6668

F (US & Canada): 1 800 361 7745

www.Garland-Group.com

Quality Factory Replacement Parts for the World's Finest Foodservice Equipment Solutions

This parts list is updated regularly. Please find the most current revision
on our website @ www.Garland-Group.com

SUNFIRE®

X Series Gas Restaurant Ranges

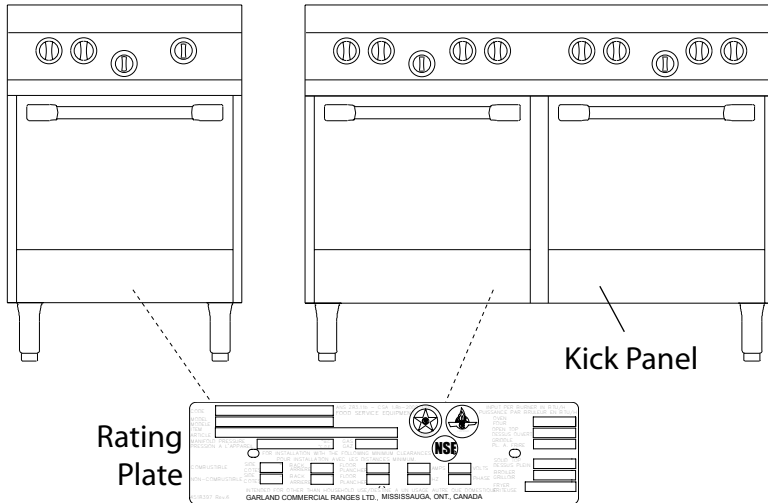
models **X24 / X36 / X60**

Table of Contents

<i>Rating Plate Location / Serial# & Model Code Interpretation</i>	5
<i>Oven Section Components — 24" Space Saver Oven / Cabinet Door.....</i>	6
<i>Oven Section Components — 36" Single Standard Oven / Cabinet Door</i>	12
<i>Oven Section Components — 60" Single or Double Standard Oven / Cabinet Door.....</i>	18
<i>Range Top Section Components - Open Top Burners.....</i>	24
<i>Range Top Section Components - Hot Top.....</i>	26
<i>Range Top Section Components - Hi / Low Griddle</i>	28
<i>Range Top Section Components - Raised Griddle Broiler</i>	32
<i>High Shelf & Low Profile Back Guard Components.....</i>	36
<i>Gas Conversion Kits</i>	38
<i>Revision History.....</i>	38

Blank Page

Rating Plate Location

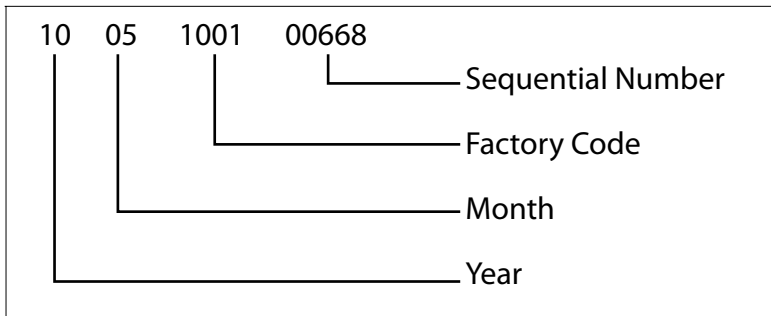


The Rating Plate (Product Identification Plate) is affixed to the front edge of the chassis bottom, behind the front kick panel.

For a double-oven model, the plate can be found behind the kick panel on the LEFT oven.

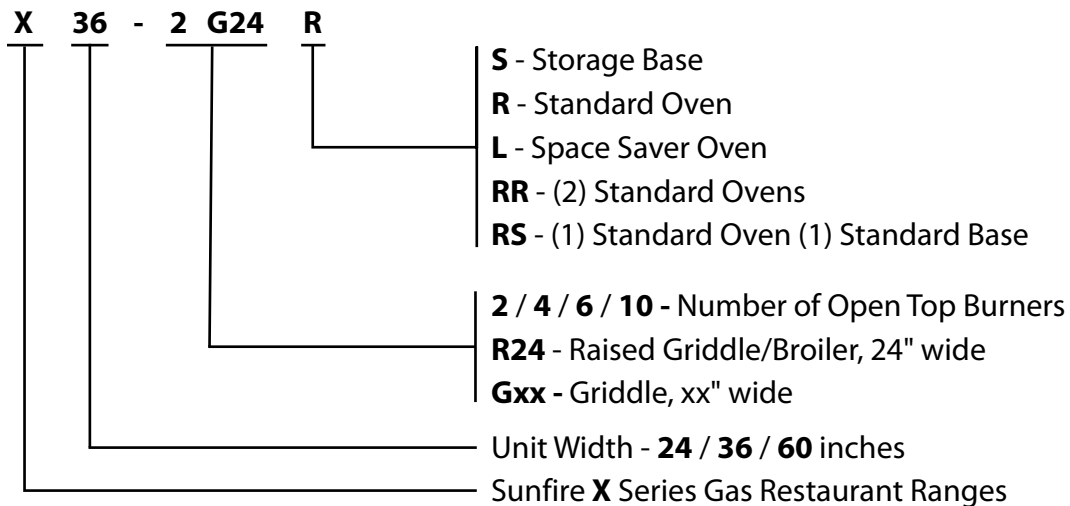
Serial# - Year/Month Information

The serial number is **13 Digits long** and is stamped on the rating plate.
See "Rating Plate Location".

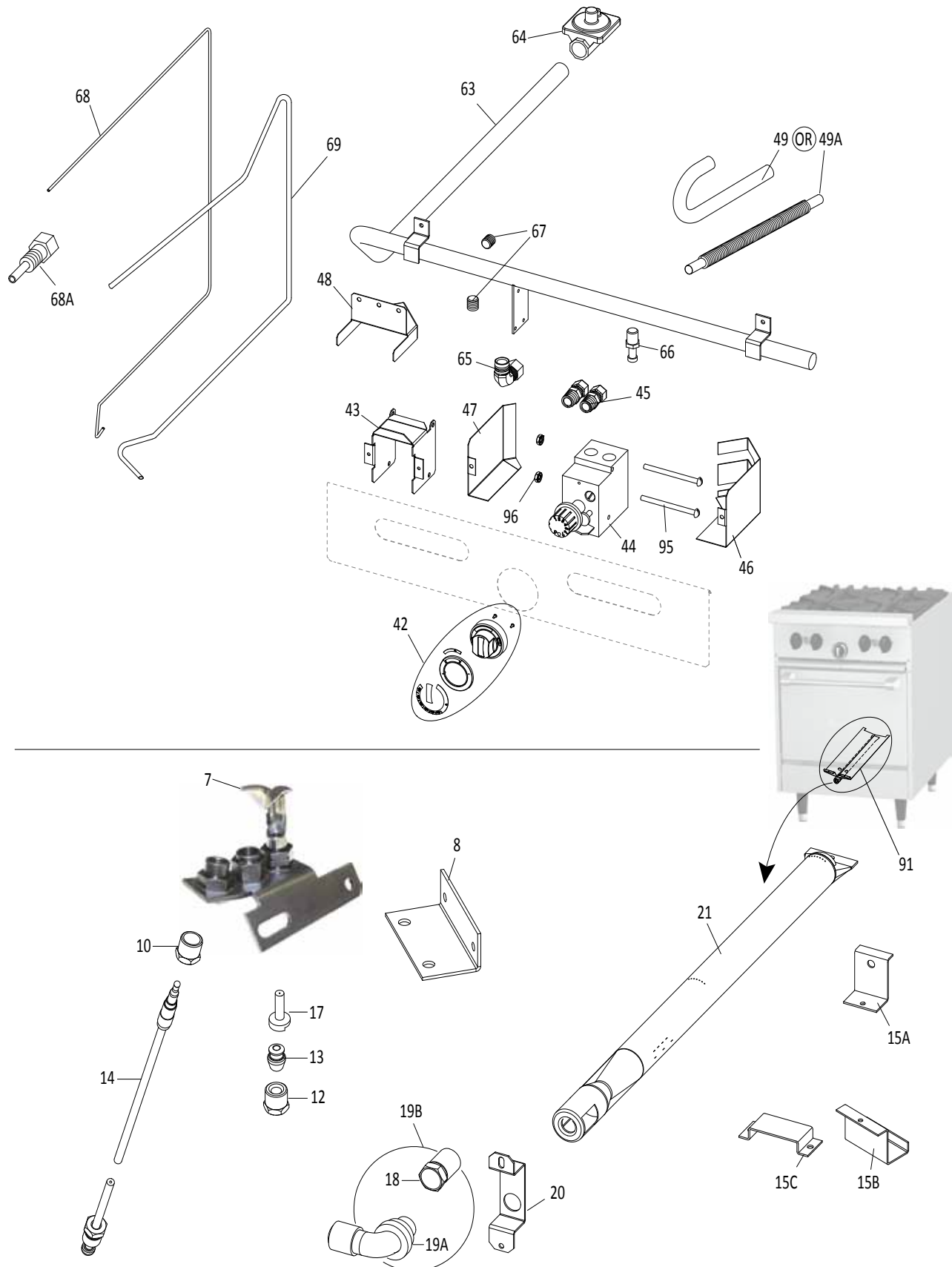


Model Code Interpretation

The model configuration code can be found on the unit's rating plate.
See "Rating Plate Location". Example:

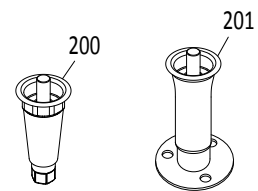
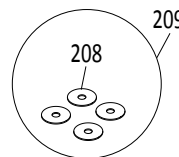
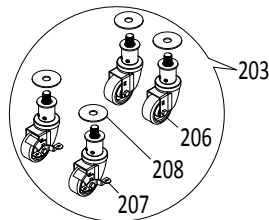
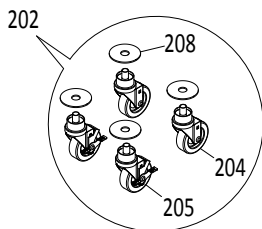
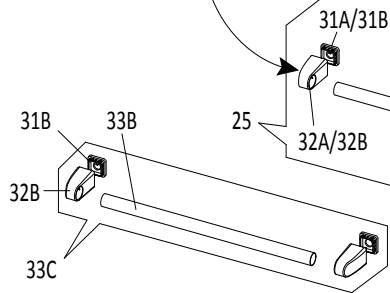
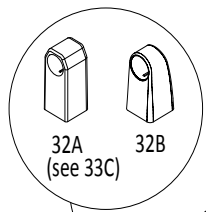
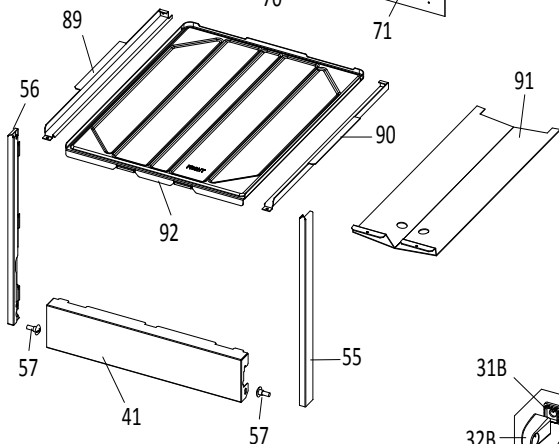
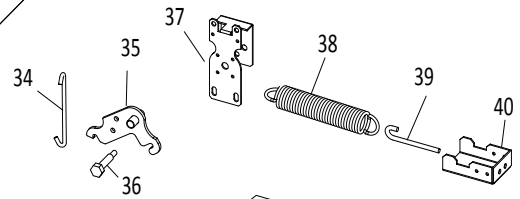
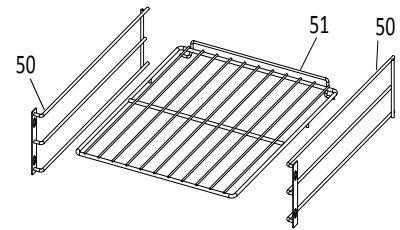
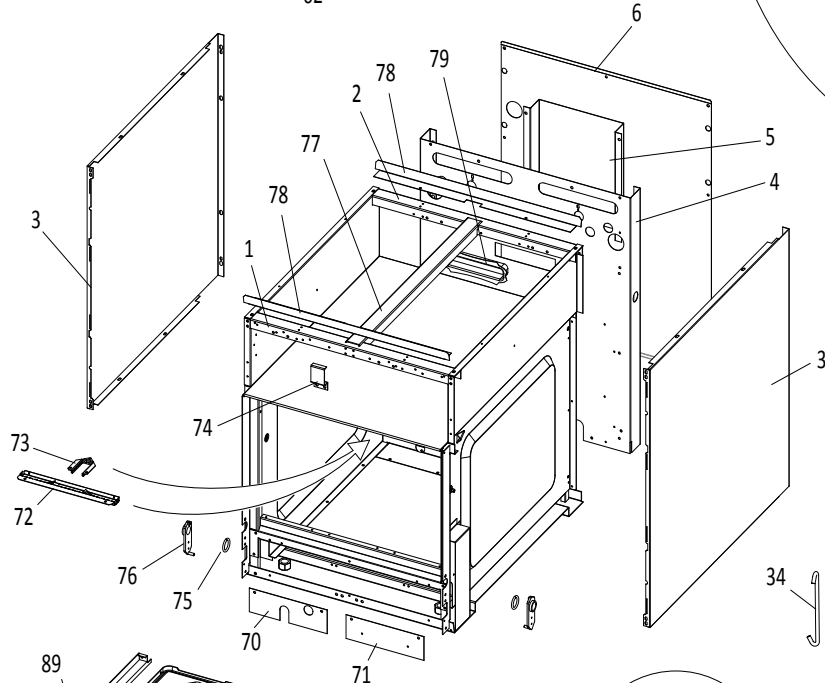
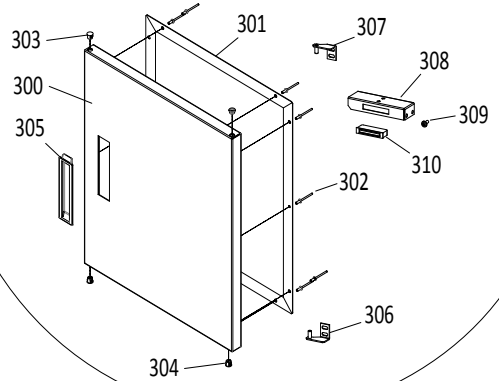
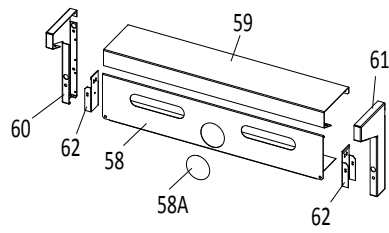


24" Single Space Saver Oven / Cabinet Door (1 of 2)



X series 24inch L Oven Section 1of2

24" Single Space Saver Oven / Cabinet Door (2 of 2)



SUNFIRE PARTS IDENTIFICATION
X Series Gas Restaurant Ranges models X24, X36, X60

24" SINGLE SPACE SAVER OVEN / CABINET DOOR COMPONENTS

ITEM	PART#	DESCRIPTION	QTY	FROM	UP TO	CRITICAL
1	4523184	24" Main Channel Front	1			
2	4525529	24" Main Channel Rear	1			
3	4522764	Body Side L/R	2			
4	4523041	Main Back 24" Oven	1			
5	4522762	Flue Riser Std Oven	1			
6	4524626	24" Veneer Back, S/S				
7	4522787	Oven Pilot Assembly (on L/H Side of Burner)	1			C
8	4522900	Oven Pilot Bracket, Sunfire	1			
9*	F440	#10 - 32 x 1/4" Screw	2			
10	2200706	Thermocouple Retaining Nut	1			C
12	2200704	3/16" Compression Nut - Oven Pilot	1			C
13	2200705	3/16" Ferrule - Oven Pilot	1			C
14	4523506	Thermocouple Oven 60"	1			C
15A	4522899	Oven Burner Bracket Note: Used FROM (serial#) 0903100100769.	1	22-MAR/09		
15B	4522983	Oven Burner Bracket, Sunfire	1		22-MAR/09	
15C	4512234	Burner Bracket Guide			22-MAR/09	
17	2200702	Pilot Orifice #32 Natural Gas	1			C
	2200703	Pilot Orifice #23 Propane	1			C
18	M9-40	Large Orifice # 40 Natural Gas	1			C
	M9-52	Large Orifice # 52 Propane	1			C
19A	14155XX	Oven Orifice Fitting (without orifice)	1			C
19B	1415540F	Oven Orifice Fitting with #40 Hood (Natural)	1			C
	1415552F	Oven Orifice Fitting with #52 Hood (Propane)	1			C
20	4522781	Orifice Bracket - Oven	1			
21	1028100	Steel Oven Burner with Air Shutter	1			
25	4525152	Sunfire 20W Oven Door Assembly	1			
26	4524059	Door Frame Assembly 20W Sunfire	1			
27	1082500	Oven Door Trunion	2			
28	4523336	Oven Door Panel 20W Sunfire)	1			
29	4522378	Oven Door Liner 20W	1			
30	4524061	Insulation Door 20W	2			
31A	3010000	Door Handle End Insulator - Type 1 Note: Use Kit 4526108 (item 33C).	2		14-AUG/08	
31B	4524911	Door Handle End Insulator - Type 2 Note: Used FROM (date) 15-Aug/08 (serial#) 0808100100641 (model) X60-10RR-0001.	2	15-AUG/08		
32A	3007300	Door Handle End - Type 1 Note: Use Kit 4526108 (item 33C).	2		14-AUG/08	
32B	4524910	Door Handle End - Type 1 Note: Used FROM (date) 15-Aug/08 (serial#) 0808100100641 (model) X60-10RR-0001.	2	15-AUG/08		
33A	4524987	Door Handle 20W, Sunfire, 1.0" Dia, Type 1 Note: Use Kit 4526108 (item 33C).			14-AUG/08	
33B	4522647	Door Handle 20W, Sunfire, 1.0" Dia, Type 2 Note: Used FROM (date) 15-Aug/08 (serial#) 0808100100641 (model) X60-10RR-0001.	1	15-AUG/08		

* NOT ILLUSTRATED

RECOMMENDED STOCK PARTS

SUNFIRE PARTS IDENTIFICATION
X Series Gas Restaurant Ranges *models X24, X36, X60*

24" SINGLE SPACE SAVER OVEN / CABINET DOOR COMPONENTS

ITEM	PART#	DESCRIPTION	QTY	FROM	UP TO	CRITICAL
33C	4526108	Oven Door Handle Kit, 20W, Sunfire Note: Kit includes items 31B, 32B, 33B	1	15-AUG/08		
34	1082802	Hinge Link Rt	1			C
35	4522772	Bell Crank Assembly	1			
36	F299	Bolt 1/4-20x1/2" Bell Crank	1			
37	4522818	Bell Crank Support Bracket	1			
38	1005800	Oven Door Spring - Garland	1			C
39	9004701	Oven Door Spring Hook	1			
40	4523654	Spring Support Bracket (20W Door)	1			
41	4523039	Kick Panel 20W	1			
42	4525442	Knob Assembly - Sunfire Oven SIT, deg. F	1			C
	4525443	Knob Assembly - Sunfire Oven SIT, deg. C	1			C
43	4523081	ES Shield Mount	1			
44	4523006	SIT Oven Control	1			C
45	1095499	Straight Connector 7/16	2			
46	4523079	ES Shield Rt	1			
47	4523080	SIT Lt Shield	1			
48	4523499	SIT Top Shield	1			
49	4523145	Tube - Sit To Manifold	1			
49A	4520720	7/16" Flexible Tubing Sit To Manifold NOTE: Applicable Only for Models with 12"Griddles Mounted on the L/H Side of the Range.	1			
50	4522411	Rack Guide 26D	2			
51	4522410	Oven Rack 20W x 26D	1			
55	4522991	Corner Column Rt 24"	1			
56	4522990	Corner Column Lt 24"	1			
57	F298N	Bolt, #10-24 x 3/8" Shoulder Truss HD, Nickel Plated (was F298)	2			
58	4523199	24 Valve Panel All Burners or 2" Standard Griddle on L/H or R/H Note: Used from (serial#) 0911100101162. (4523594 is obsolete, used up to 1-Dec/09)	1	2-DEC/09		
	4523621	24" Valve Panel - 24" Griddle (Standard) Note: Used from (serial#) 0911100101162. (4523635 is obsolete, used up to 1-Dec/09)	1	2-DEC/09		
58A	4523746	2.5" Valve Panel Hole Cover (Storage Base Option)				
59	4523252	24" Plate Rail, Sunfire	1			
60	4527427	Valve Panel End Cap - Left (was 4523251) Note: Used from (serial#) 0911100100549 (model) X60-6R24RR-0003.	1	17-NOV/09		
61	4527426	Valve Panel End Cap - Right (was 4523250) Note: Used from (serial#) 0911100100549 (model) X60-6R24RR-0003.	1	17-NOV/09		
62	4526110	Burner Box Filler (was 4523193)	2			
63	4522561	Manifold Assembly - 24" (without Fittings)	1			C
64	2127502	Regulator - Natural Gas 4.5" WC	1			C
	2127500	Regulator - Propane Gas 10" WC	1			C
65	4529768	90 deg Elbow Fitting, 7/16CC to 3/8NPT (was G02352-1)	1			

* NOT ILLUSTRATED

RECOMMENDED STOCK PARTS

SUNFIRE PARTS IDENTIFICATION
X Series Gas Restaurant Ranges *models X24, X36, X60*

24" SINGLE SPACE SAVER OVEN / CABINET DOOR COMPONENTS

ITEM	PART#	DESCRIPTION	QTY	FROM	UP TO	CRITICAL
66	G02251-1	Pressure Test Spigot	1			
67	2203400	1/8" NPT Pipe Plug	2			
68	4523570	.187 (3/16) Dia Tubing - SIT Valve to Oven Pilot	1			
68A	4527220	SIT Pilot Tube Connection	1			
69	4530485	.437 (7/16) Dia Tubing - SIT Valve to Oven Orifice Fitting	1			
70	4523043	Air Shield Pilot 20W	1			
71	4523042	Air Shield Solid 20W	1			
72	4523052	Capillary Guard 20W Standard Oven	1			
73	4523030	Bulb Guard Standard Oven	1			
74	4523194	Rail Support Bracket	1			
75	1082700	Harness Ring, Nickel Plated	2			
76	4522400	Trunion Bracket	2			
77	4523087	Grate Support Rail	1			
78	4523186	24" Drip Angle	2			
79	1005110	Flue Collar - Aluminized	1			
89	4525041	Hearth Support, L/H 26D (removable) Note: Used FROM (serial#) 0804100101527 (model) X60-10RR.	1	1-MAY/08		
90	4525042	Hearth Support, R/H 26D (removable) Note: Used FROM (serial#) 0804100101527 (model) X60-10RR.	1			
91	4523051	Fireplate, 20W Oven, Sunfire				
92	4522384	Oven Hearth 20W x 26D - Enamelled	1			
95	F16	SIT to Manifold Mounting Bolts (#10-24 x 2-1/2", Round Head, Slot Drive)	2			
96	F312	SIT to Manifold Mounting Lock Nut (#10-24, K-Lock Nut)	2			

* NOT ILLUSTRATED

RECOMMENDED STOCK PARTS

SUNFIRE PARTS IDENTIFICATION
X Series Gas Restaurant Ranges *models X24, X36, X60*

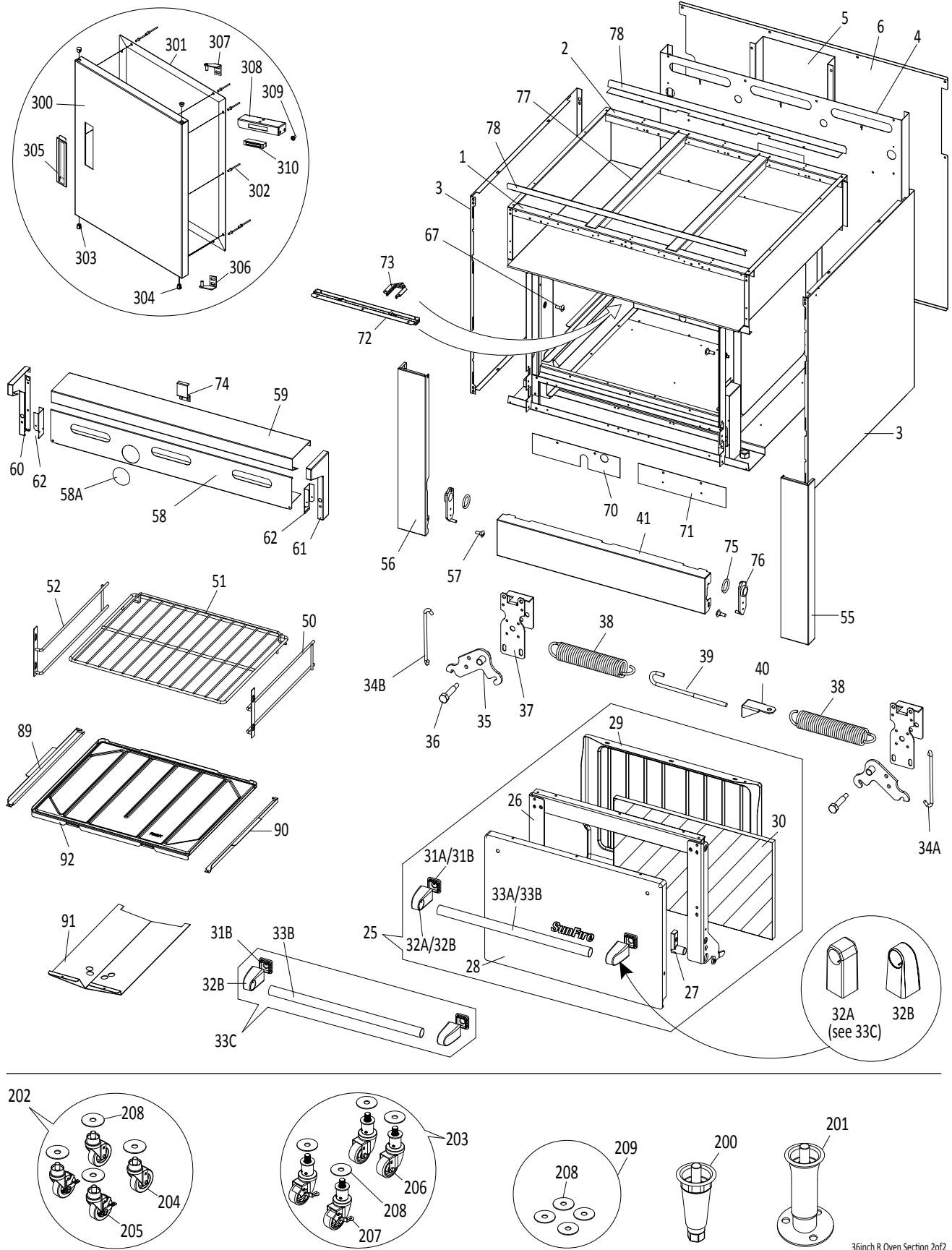
24" SINGLE SPACE SAVER OVEN / CABINET DOOR COMPONENTS

ITEM	PART#	DESCRIPTION	QTY	FROM	UP TO	CRITICAL
LEGS & CASTERS						
200	4522416	6" Adjustable Leg, Sunfire	4			
201	4524104	6" Flanged Leg (Optional)	4			
202	4526324	6" Caster Package, non-adjustable (Optional) Note: Includes items 204, 205, 208, and installation instructions.	1			
203	4526323	6" Caster Package, adjustable (Optional) Note: Includes items 206, 207, 208, and installation instructions.	1			
204	4522417	6" Caster No Brake, 3/4-10 mount, non-adjustable	2			
205	4522916	6" Caster With Brake, 3/4-10 mount, non-adjustable	2			
206	4525597	6" Caster No Brake, 3/4-10 mount, adjustable	2			
207	4525598	6" Caster With Brake, 3/4-10 mount, adjustable	2			
208	4526157	Caster Washer Note: Used FROM (serial#) 0901100100838 (date) 20-Jan-09.	4	20-JAN/09		
209	4526325	Caster Washer Kit	1			
DOOR COMPONENTS - 24" STORAGE BASE MODEL						
300	4524305	Door Panel Outer - 24", Standard Base	1			
301	4524306	Door Panel Inner - 24", Standard Base	1			
302	F557	5/32" Rivet - S/S (Grip Range .039" - .118")	12			
303	078056-5	Flange Bearing/Bushing	2			
304	2530900	0.375" Hole Plug	2			
305	3031900	Storage Door Handle	1			
306	4524288	Door Hinge Assembly - Right	1			
307	4524287	Door Hinge Assembly - Left	1			
308	4524308	Door Stop - 15"/24" Door, Standard Base	1			
309	F60	Screw-10AX 5/8INTLock Quad Pan	8			
310	078174-1	Magnetic Door Catch	1			
311*	4523669	Logo, Stick-On, Sunfire	1			

* NOT ILLUSTRATED

RECOMMENDED STOCK PARTS

36" Single Standard Oven / Cabinet Door (2 of 2)



SUNFIRE PARTS IDENTIFICATION
X Series Gas Restaurant Ranges models X24, X36, X60

36" SINGLE STANDARD OVEN / CABINET DOOR COMPONENTS

ITEM	PART#	DESCRIPTION	QTY	FROM	UP TO	CRITICAL
1	4523068	36" Main Channel Front	1			
2	4525530	36" Main Channel Rear	1			
3	4522764	Body Side L/R	2			
4	4522761	Main Back 36" Oven	1			
5	4522762	Flue Riser Std Oven	1			
6	4524627	Veneer Back, S/S, 36" Std Oven	1			
7	4522787	Oven Pilot Assembly (on L/H Side of Burner)	1			C
8	4522900	Oven Pilot Bracket, Sunfire	1			
9*	F440	#10 - 32 x 1/4" Screw	2			
10	2200706	Thermocouple Retaining Nut	1			C
12	2200704	3/16" Compression Nut - Oven Pilot	1			C
13	2200705	3/16" Ferrule - Oven Pilot	1			C
14	4523506	Thermocouple Oven 60"	1			C
15	4522899	Oven Burner Bracket	1			
17	2200702	Pilot Orifice #32 Natural Gas	1			C
	2200703	Pilot Orifice #23 Propane	1			C
18	M9-32	Large Orifice # 32 Natural Gas	1			C
	M9-50	Large Orifice # 50 Propane	1			C
19A	14155XX	Oven Orifice Fitting (without orifice)	1			C
19B	1415532F	Oven Orifice Fitting with #32 Hood (Natural)	1			C
	1415550F	Oven Orifice Fitting with #50 Hood (Propane)	1			C
20	4522781	Orifice Bracket - Oven	1			
21	1028100	Steel Oven Burner with Air Shutter	1			
25	4525051	Sunfire 26W Oven Door Assembly	1			
26	4524058	Door Frame Assembly 26W Sunfire	1			
27	1082500	Oven Door Trunion	2			
28	4523327	Oven Door Panel 26W Sunfire	1			
29	4522377	Oven Door Liner 26W	1			
30	1472322	Insulation, Door	2			
31A	3010000	Door Handle End Insulator (Handle Spacer/Insert) Note: Use Kit 4525581 (item 33C).	2		14-AUG/08	
31B	4524911	Door Handle End Insulator - Type 2 Note: Used FROM (date) 15-Aug/08 (serial#) 0808100100641 (model) X60-10RR-0001.	2	15-AUG/08		
32A	3007300	Door Handle End (L/R) Note: Use Kit 4525581 (item 33C).	2		14-AUG/08	
32B	4524910	Door Handle End, Sunfire, Alum. Note: Used FROM (date) 15-Aug/08 (serial#) 0808100100641 (model) X60-10RR-0001.	2	15-AUG/08		
33A	4524986	Door Handle 25-1/4", Sunfire Note: Use Kit 4525581 (item 33C).			14-AUG/08	
33B	4522646	Door Handle 36", Sunfire, 1.0" Dia Note: Used FROM (date) 15-Aug/08 (serial#) 0808100100641 (model) X60-10RR-0001.	1	15-AUG/08		
33C	4525581	Oven Door Handle Kit, 26W, Sunfire Note: Kit includes items 31B, 32B, 33B	1	15-AUG/08		
34A	1082802	Hinge Link R/H	1			C
34B	1082803	Hinge Link L/H	1			C
35	4522772	Bell Crank Assembly	2			

* NOT ILLUSTRATED

RECOMMENDED STOCK PARTS

SUNFIRE PARTS IDENTIFICATION
X Series Gas Restaurant Ranges models X24, X36, X60

36" SINGLE STANDARD OVEN / CABINET DOOR COMPONENTS

ITEM	PART#	DESCRIPTION	QTY	FROM	UP TO	CRITICAL
36	F299	Bolt 1/4-20x1/2" Bell Crank	2			
37	4522818	Bell Crank Support Bracket	2			
38	4512250	Oven Door Spring	2			C
39	4523497	Oven Door J-Bolt, 6" (F598)	1			
40	4526109	Door Spring Adjustment Bracket (26W Door)	1			
41	4522770	Kick Panel 26W	1			
42	4525442	Knob Assembly - Sunfire Oven SIT, deg. F	1			C
	4525443	Knob Assembly - Sunfire Oven SIT, deg. C	1			C
43	4523081	ES Shield Mount	1			
44	4523006	SIT Oven Control	1			C
45	1095499	Straight Connector 7/16	2			
46	4523079	ES Shield Rt	1			
47	4523080	SIT Lt Shield	1			
48	4523499	SIT Top Shield	1			
49	4523145	Tube - Sit To Manifold	1			
49A	4520720	7/16" Flexible Tubing Sit To Manifold Note: Applicable Only to Models with 12" Griddles Mounted on the L/H Side of the Range.	1			
50	4522412	Rack Guide, R/H, Sunfire	1			
51	4522409	Oven Rack 26W x 22D	1			
52	4522754	Rack Guide, L/H, Sunfire	1			
55	4522766	Corner Column R/H 36"	1			
56	4522765	Corner Column L/H 36"	1			
57	F298N	Bolt, #10-24 x 3/8" Shoulder Truss HD, Nickel Plated (was F298)	2			
58	4523088	36" Valve Panel All Burners or 12" Griddle on L/H or R/H Note: Used from (serial#) 0911100101162. (4523330 is obsolete, used up to 1-Dec/09)	1	2-DEC/09		
	4523615	36" Valve Panel - 24" Griddle on L/H Note: Used from (serial#) 0911100101162. (4523633 is obsolete, used up to 1-Dec/09)	1	2-DEC/09		
	4523613	36" Valve Panel - 24" Griddle on R/H Note: Used from (serial#) 0911100101162. (4523622 is obsolete, used up to 1-Dec/09)	1	2-DEC/09		
	4524094	36" Valve Panel - 36" Griddle Note: Used from (serial#) 0911100101162. (4523622 is obsolete, used up to 1-Dec/09)	1	2-DEC/09		
58A	4523746	2.5" Valve Panel Hole Cover (Storage Base Option)				
59	4523253	36" Plate Rail, Sunfire	1			
60	4527427	Valve Panel End Cap - Left (was 4523251) Note: Used from (serial#) 0911100100549 (model) X60-6R24RR-0003.	1	17-NOV/09		
61	4527426	Valve Panel End Cap - Right (was 4523250) Note: Used from (serial#) 0911100100549 (model) X60-6R24RR-0003.	1	17-NOV/09		
62	4526110	Burner Box Filler (was 4523193)	2			
63	4522562	Manifold Assembly - 36" (without Fittings)	1			C

* NOT ILLUSTRATED

RECOMMENDED STOCK PARTS

SUNFIRE PARTS IDENTIFICATION
X Series Gas Restaurant Ranges models X24, X36, X60

36" SINGLE STANDARD OVEN / CABINET DOOR COMPONENTS

ITEM	PART#	DESCRIPTION	QTY	FROM	UP TO	CRITICAL
64	2127502	Regulator - Natural Gas 4.5" WC	1			C
	2127500	Regulator - Propane Gas 10" WC	1			C
65	4529768	90 deg Elbow Fitting, 7/16CC to 3/8NPT (was G02352-1)	1			
66	G02251-1	Pressure Test Spigot	1			
67	2203400	1/8" NPT Pipe Plug	2			
68	4523570	.187 (3/16) Dia Tubing - SIT Valve to Oven Pilot	1			
68A	4527220	SIT Pilot Tube Connection	1			
69	4523143	.437 (7/16) Dia Tubing - SIT Valve to Oven Orifice Fitting	1			
70	4522774	Air Shield Pilot 26W	1			
71	4522773	Air Shield Solid 26W	1			
72	4523031	Capillary Guard 26W Standard Oven	1			
73	4523030	Bulb Guard Standard Oven	1			
74	4523194	Rail Support Bracket	1			
75	1082700	Harness Ring, Nickel Plated	2			
76	4522400	Trunion Bracket	2			
77	4523087	Grate Support Rail	2			
78	4523069	Drip Angle, Large	2			
89	4525043	Hearth Support, L/H 36" (removable) Note: Used FROM (serial#) 0804100101527 (model) X60-10RR.	1	1-MAY/08		
90	4525044	Hearth Support, R/H 36" (removable) Note: Used FROM (serial#) 0804100101527 (model) X60-10RR.	1	1-MAY/08		
91	4523032	Fireplate, 26W Oven, Sunfire	1			
92	4522385	Oven Hearth 26W x 22D - Enamelled	1			
95	F16	SIT to Manifold Mounting Bolts (#10-24 x 2-1/2", Round Head, Slot Drive)	2			
96	F312	SIT to Manifold Mounting Lock Nut (#10-24, K-Lock Nut)	2			

* NOT ILLUSTRATED

RECOMMENDED STOCK PARTS

SUNFIRE PARTS IDENTIFICATION
X Series Gas Restaurant Ranges *models X24, X36, X60*

36" SINGLE STANDARD OVEN / CABINET DOOR COMPONENTS

ITEM	PART#	DESCRIPTION	QTY	FROM	UP TO	CRITICAL
LEGS & CASTERS						
200	4522416	6" Adjustable Leg, Sunfire	4			
201	4524104	6" Flanged Leg (Optional)	4			
202	4526324	6" Caster Package, non-adjustable (Optional) Note: Includes items 204, 205, 208, and installation instructions.	1			
203	4526323	6" Caster Package, adjustable (Optional) Note: Includes items 206, 207, 208, and installation instructions.	1			
204	4522417	6" Caster No Brake, 3/4-10 mount, non-adjustable	2			
205	4522916	6" Caster With Brake, 3/4-10 mount, non-adjustable	2			
206	4525597	6" Caster No Brake, 3/4-10 mount, adjustable	2			
207	4525598	6" Caster With Brake, 3/4-10 mount, adjustable	2			
208	4526157	Caster Washer Note: Used FROM (serial#) 0901100100838 (date) 20-Jan-09.	4	20-JAN/09		
209	4526325	Caster Washer Kit	1			
DOOR COMPONENTS - 36" STORAGE BASE MODEL						
300	4524282	Door Panel Outer - 36", Standard Base	1			
301	4524283	Door Panel Inner - 36", Standard Base	1			
302	F557	5/32" Rivet - S/S (Grip Range .039" - .118")	10			
303	078056-5	Flange Bearing/Bushing	2			
304	2530900	0.375" Hole Plug	2			
305	3031900	Storage Door Handle	1			
306	4524288	Door Hinge Assembly - Right	1			
307	4524287	Door Hinge Assembly - Left	1			
308	4524284	Door Stop - 36" Door, Standard Base	1			
309	F60	Screw-10AX 5/8 InterLock Quad Pan	8			
310	078174-1	Magnetic Door Catch	1			
311*	4523669	Logo, Stick-On, Sunfire	1			

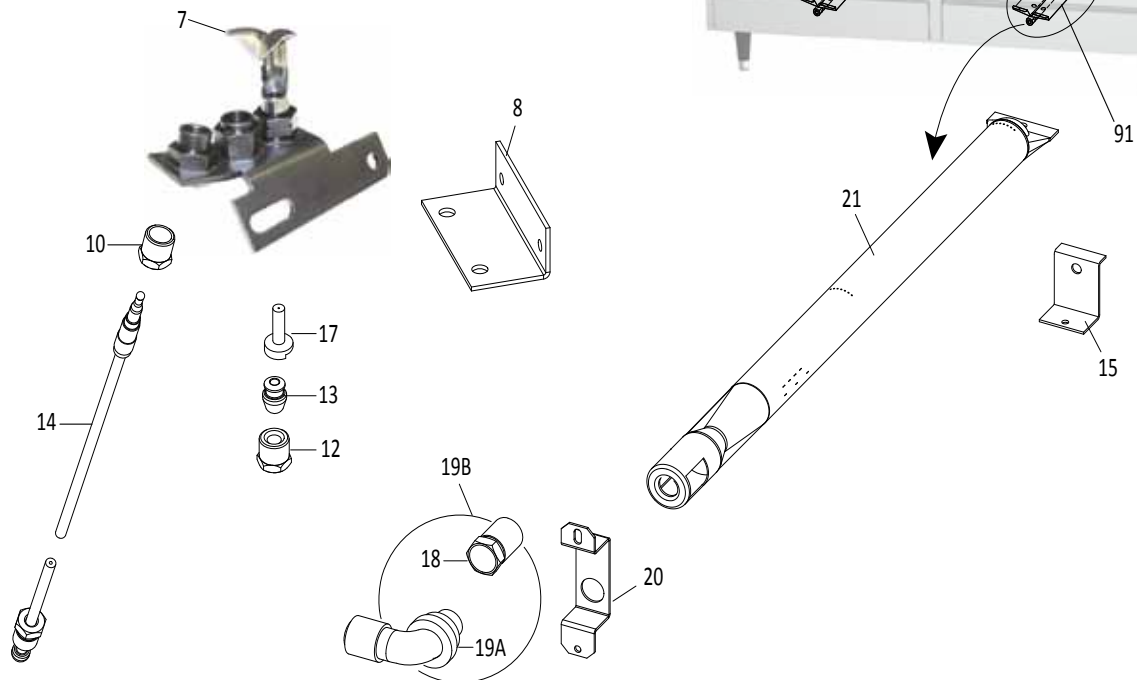
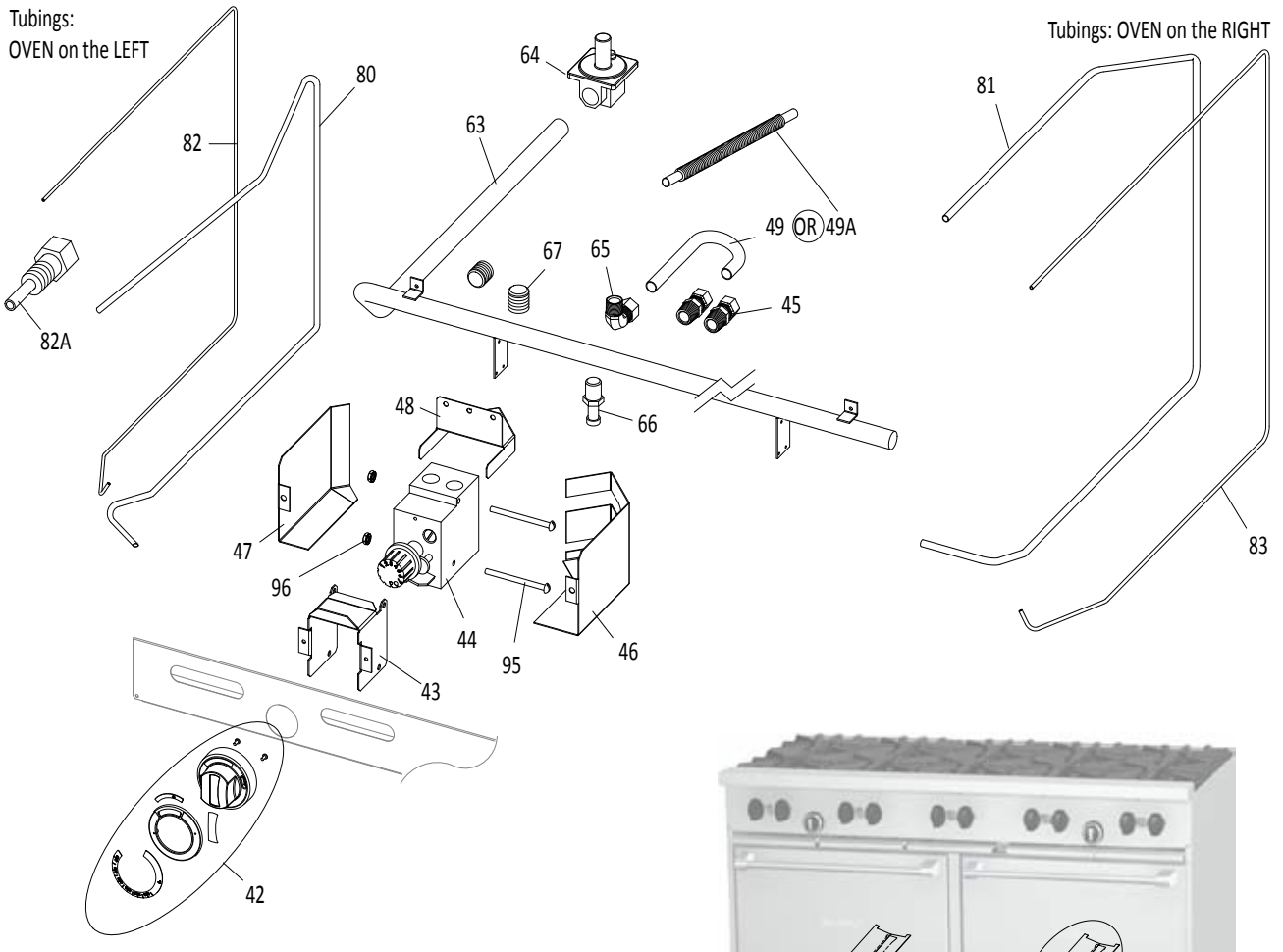
* NOT ILLUSTRATED

RECOMMENDED STOCK PARTS

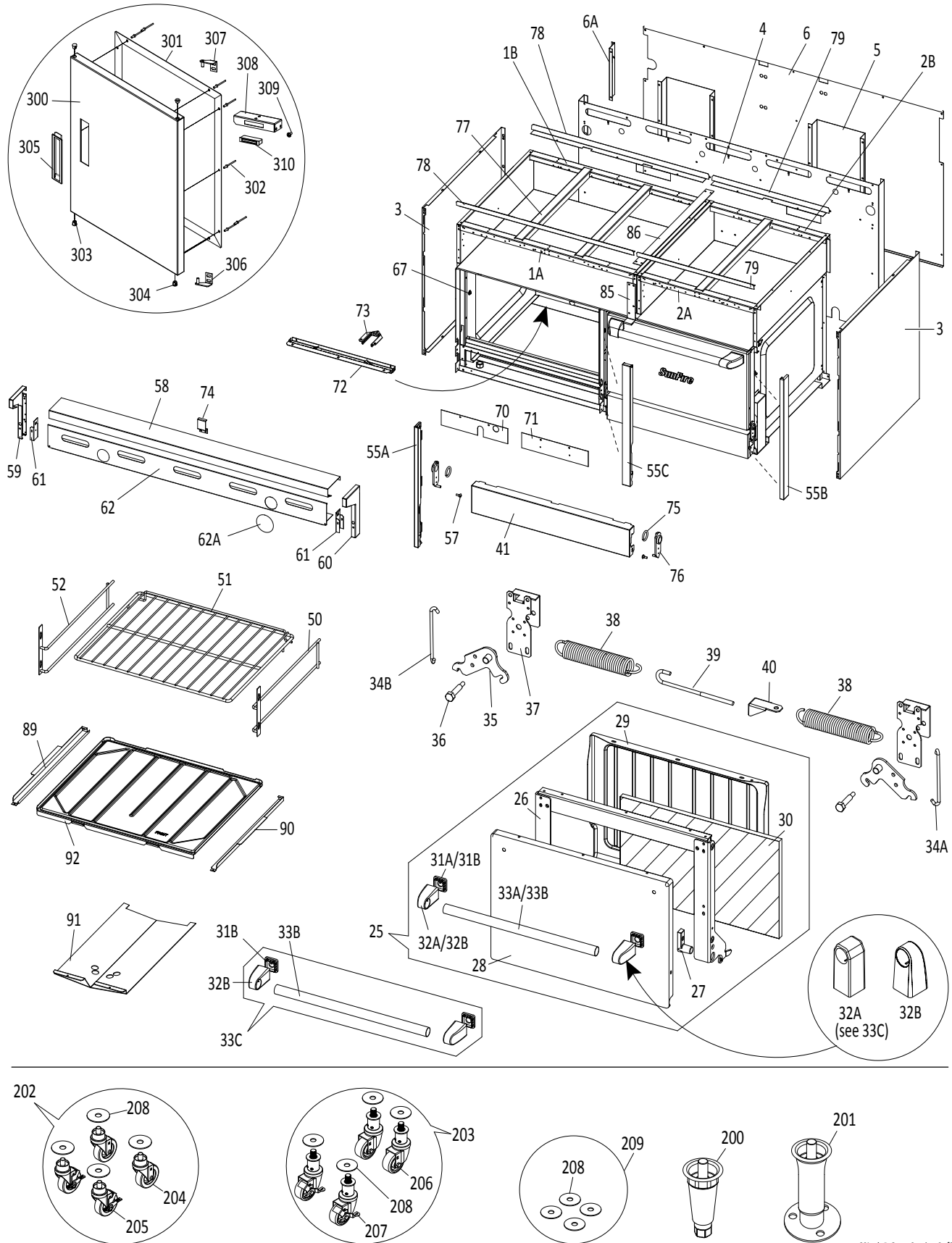
60" Single or Double Standard Ovens / Cabinet Door (1 of 2)

Tubings:
OVEN on the LEFT

Tubings: OVEN on the RIGHT



60" Single or Double Standard Ovens / Cabinet Door (2 of 2)



60inch R Oven Section 2of2

SUNFIRE PARTS IDENTIFICATION

X Series Gas Restaurant Ranges *models X24, X36, X60*

60" SINGLE OR DOUBLE STANDARD OVENS / CABINET DOOR COMPONENTS

ITEM	PART#	DESCRIPTION	OVEN LEFT	OVEN RIGHT	DOUBLE OVENS	FROM	UP TO	CRITICAL
1A	4523068	36" Main Channel Front	-	-	1			
1B	4525530	36" Main Channel Rear	-	-	1			
2A	4523184	24" Main Channel Front	-	-	1			
2B	4525529	24" Main Channel Rear	-	-	1			
3	4522764	Body Side L/R	-	-	2			
4	4522994	Main Back (Double Ovens/Oven on Left or Right)	-	-	1			
5	4522762	Flue Riser Std Oven	1	1	2			
6	4524630	Veneer Back, S/S, 60" Std Oven (Option)	-	-	1			
6A	4524632	Support, Veneer Back, Standard Oven (Option)	-	-	1			
7	4522787	Oven Pilot Assembly Left Oven - Mounted on L/H Side of Burner; Right Oven - Mounted on R/H Side of Burner.	1	1	2			C
8	4522900	Oven Pilot Bracket, Sunfire	1	1	2			
9*	F440	#10 - 32 x 1/4" Screw	2	2	4			
10	2200706	Thermocouple Retaining Nut	1	1	2			C
12	2200704	3/16" Compression Nut - Oven Pilot	1	1	2			C
13	2200705	3/16" Ferrule - Oven Pilot	1	1	2			C
14	4523506	Thermocouple Oven 60"	1	1	2			C
15	4522899	Oven Burner Bracket	1	1	2			
17	2200702	Pilot Orifice #32 Natural Gas	1	1	2			C
	2200703	Pilot Orifice #23 Propane	1	1	2			C
18	M9-32	Large Orifice # 32 Natural Gas	1	1	2			C
	M9-50	Large Orifice # 50 Propane	1	1	2			C
19A	14155XX	Oven Orifice Fitting (without orifice)	1	1	2			C
19B	1415532F	Oven Orifice Fitting with #32 Hood (Natural)	1	1	2			C
	1415550F	Oven Orifice Fitting with #50 Hood (Propane)	1	1	2			C
20	4522781	Orifice Bracket - Oven	1	1	2			
21	1028100	Steel Oven Burner with Air Shutter	1	1	2			
25	4525051	Sunfire 26W Oven Door Assembly	1	1	2			
26	4524058	Door Frame Assembly 26W Sunfire	1	1	2			
27	1082500	Oven Door Trunion	2	2	4			
28	4523327	Oven Door Panel 26W Sunfire	1	1	2			
29	4522377	Oven Door Liner 26W	1	1	2			
30	1472322	Insulation, Door	1	1	2			
31A	3010000	Door Handle End Insulator (Handle Spacer/Insert) Note: Use Kit 4525581 (item 33C).	2	2	4		14-AUG/08	
31B	4524911	Door Handle End Insulator - Type 2 Note: Used FROM (date) 15-Aug/08 (serial#) 0808100100641 (model) X60-10RR-0001.	2	2	4	15-AUG/08		
32A	3007300	Door Handle End (L/R) Note: Use Kit 4525581 (item 33C).	2	2	4		14-AUG/08	
32B	4524910	Door Handle End, Sunfire, Aluminum. Note: Used FROM (date) 15-Aug/08 (serial#) 0808100100641 (model) X60-10RR-0001.	2	2	4	15-AUG/08		
33A	4524986	Door Handle, Sunfire Note: Use Kit 4525581 (item 33C).	1	1	2		14-AUG/08	

* NOT ILLUSTRATED

RECOMMENDED STOCK PARTS

SUNFIRE PARTS IDENTIFICATION

X Series Gas Restaurant Ranges *models X24, X36, X60*

60" SINGLE OR DOUBLE STANDARD OVENS / CABINET DOOR COMPONENTS

ITEM	PART#	DESCRIPTION	OVEN LEFT	OVEN RIGHT	DOUBLE OVENS	FROM	UP TO	CRITICAL
33B	4522646	Door Handle, Sunfire, 1.0" Dia Note: Used FROM (date) 15-Aug/08 (serial#) 0808100100641 (model) X60-10RR-0001.	1	1	2	15-AUG/08		
33C	4525581	Oven Door Handle Kit, 26W, Sunfire Note: Kit includes items 31B, 32B, 33B	1	1	2	15-AUG/08		
34A	1082802	Hinge Link R/H	1	1	2			C
34B	1082803	Hinge Link L/H	1	1	2			C
35	4522772	Bell Crank Assembly	2	2	4			
36	F299	Bolt 1/4-20x1/2" Bell Crank	2	2	4			
37	4522818	Bell Crank Support Bracket	2	2	4			
38	4512250	Oven Door Spring	2	2	4			C
39	4523497	Oven Door J-Bolt, 6" (F598)	1	1	2			
40	4526109	Door Spring Adjustment Bracket	1	1	2			
41	4522770	Kick Panel 26W	1	1	2			
42	4525442	Knob Assembly - Sunfire Oven SIT, deg. F	1	1	2			C
	4525443	Knob Assembly - Sunfire Oven SIT, deg. C	1	1	2			C
43	4523081	ES Shield Mount	1	1	2			
44	4523006	SIT Oven Control	1	1	2			C
45	1095499	Straight Connector 7/16	2	2	4			
46	4523079	ES Shield Right	1	1	2			
47	4523080	SIT Left Shield	1	1	2			
48	4523499	SIT Top Shield	1	1	2			
49	4523145	Tube - Sit To Manifold	1	1	2			
49A	4520720	7/16" Flexible Tubing Sit To Manifold Note: Applicable Only to Models with 12" Griddles Mounted on the L/H Side of the Range.	-	-	1			
50	4522412	Rack Guide, R/H, 22D, Sunfire	1	1	2			
51	4522409	Oven Rack 26W x 22D	1	1	2			
52	4522754	Rack Guide, L/H, 22D, Sunfire	1	1	2			
55A	4522990	Corner Column L/H	-	-	1			
55B	4522993	Corner Column R/H	-	-	1			
55C	4522991	Center Column	-	-	1			
57	F298N	Bolt, #10-24 x 3/8" Shoulder Truss HD, Nickel Plated (was F298)	2	2	4			
58	4523255	60" Plate Rail, Sunfire	-	-	1			
59	4527427	Valve Panel End Cap - Left (was 4523251) Note: Used from (serial#) 0911100100549 (model) X60-6R24RR-0003.	-	-	1	17-NOV/09		
60	4527426	Valve Panel End Cap - Right (was 4523250) Note: Used from (serial#) 0911100100549 (model) X60-6R24RR-0003.	-	-	1	17-NOV/09		
61	4526110	Burner Box Filler (was 4523193)	-	-	2			

* NOT ILLUSTRATED

RECOMMENDED STOCK PARTS

SUNFIRE PARTS IDENTIFICATION

X Series Gas Restaurant Ranges *models X24, X36, X60*

60" SINGLE OR DOUBLE STANDARD OVENS / CABINET DOOR COMPONENTS

ITEM	PART#	DESCRIPTION	OVEN LEFT	OVEN RIGHT	DOUBLE OVENS	FROM	UP TO	CRITICAL
62	4523583	60" Valve Panel All burners or 12" Griddle (Std) on L/H or R/H Note: Used from (serial#) 0911100101162. (4523581 is obsolete, used up to 01-Dec/09)	-	-	1	2-DEC/09		
	4523977	60" Valve Panel - 24" Griddle (Std) on R/H Note: Used from (serial#) 0911100101162. (4523577 is obsolete, used up to 01-Dec/09)	-	-	1	2-DEC/09		
	4523554	60" Valve Panel - 24" Griddle (Std) on L/H Note: Used from (serial#) 0911100101162. (4523573 is obsolete, used up to 01-Dec/09)	-	-	1	2-DEC/09		
	4523474	60" Valve Panel - 36" Griddle (Std) on R/H Note: Used from (serial#) 0911100101162. (4523577 is obsolete, used up to 01-Dec/09)	-	-	1	2-DEC/09		
	4523527	60" Valve Panel - 36" Griddle (Std) on L/H Note: Used from (serial#) 0911100101162. (4523659 is obsolete, used up to 01-Dec/09)	-	-	1	2-DEC/09		
	4524354	60" Valve Panel - 48" Griddle (Std) on R/H Note: Used from (serial#) 0911100101162. (4524457 is obsolete, used up to 01-Dec/09)	-	-	1	2-DEC/09		
	4524356	60" Valve Panel - 48" Griddle (Std) on L/H Note: Used from (serial#) 0911100101162. (4524458 is obsolete, used up to 01-Dec/09)	-	-	1	2-DEC/09		
	4524360	60" Valve Panel - 60" Griddle (Std) Note: Used from (serial#) 0911100101162. (4524457 is obsolete, used up to 01-Dec/09)	-	-	1	2-DEC/09		
62A	4523746	2.5" Valve Panel Hole Cover (Storage Base Option)						
63	4522564	Manifold Assembly (without Fittings)	-	-	1			C
64	4522421	Regulator - Natural Gas 4.5" WC	-	-	1			C
	4522422	Regulator - Propane Gas 10" WC	-	-	1			C
65	4529768	90 deg Elbow Fitting, 7/16CC to 3/8NPT (was G02352-1)	1	1	2			
66	G02251-1	Pressure Test Spigot	-	-	1			
67	2203400	1/8" NPT Pipe Plug	2	2	4			
70	4522774	Air Shield Pilot 26W	1	1	2			
71	4522773	Air Shield Solid 26W	1	1	2			
72	4523031	Capillary Guard 26W Standard Oven	1	1	2			
73	4523030	Bulb Guard Standard Oven	1	1	2			
74	4523194	Rail Support Bracket	-	-	2			
75	1082700	Harness Ring, Nickel Plated	2	2	4			
76	4522400	Trunion Bracket	2	2	4			
77	4523087	Grate Support Rail	-	-	3			
78	4523069	Drip Angle, Large, 36"	-	-	2			
79	4523186	Drip Angle, 24"	-	-	2			
80	4530485	.437 (7/16) Dia Oven Tubing, SIT Valve to Oven Orifice, Oven on the Left	1	-	1			
81	4530483	.437 (7/16) Dia Oven Tubing, SIT Valve to Oven Orifice, Oven on the Right	-	1	1			
82	4523570	.187 (3/16) Dia Tubing, SIT Valve to Oven Pilot, Oven on the Left	1	-	1			

* NOT ILLUSTRATED

RECOMMENDED STOCK PARTS

SUNFIRE PARTS IDENTIFICATION

X Series Gas Restaurant Ranges *models X24, X36, X60*

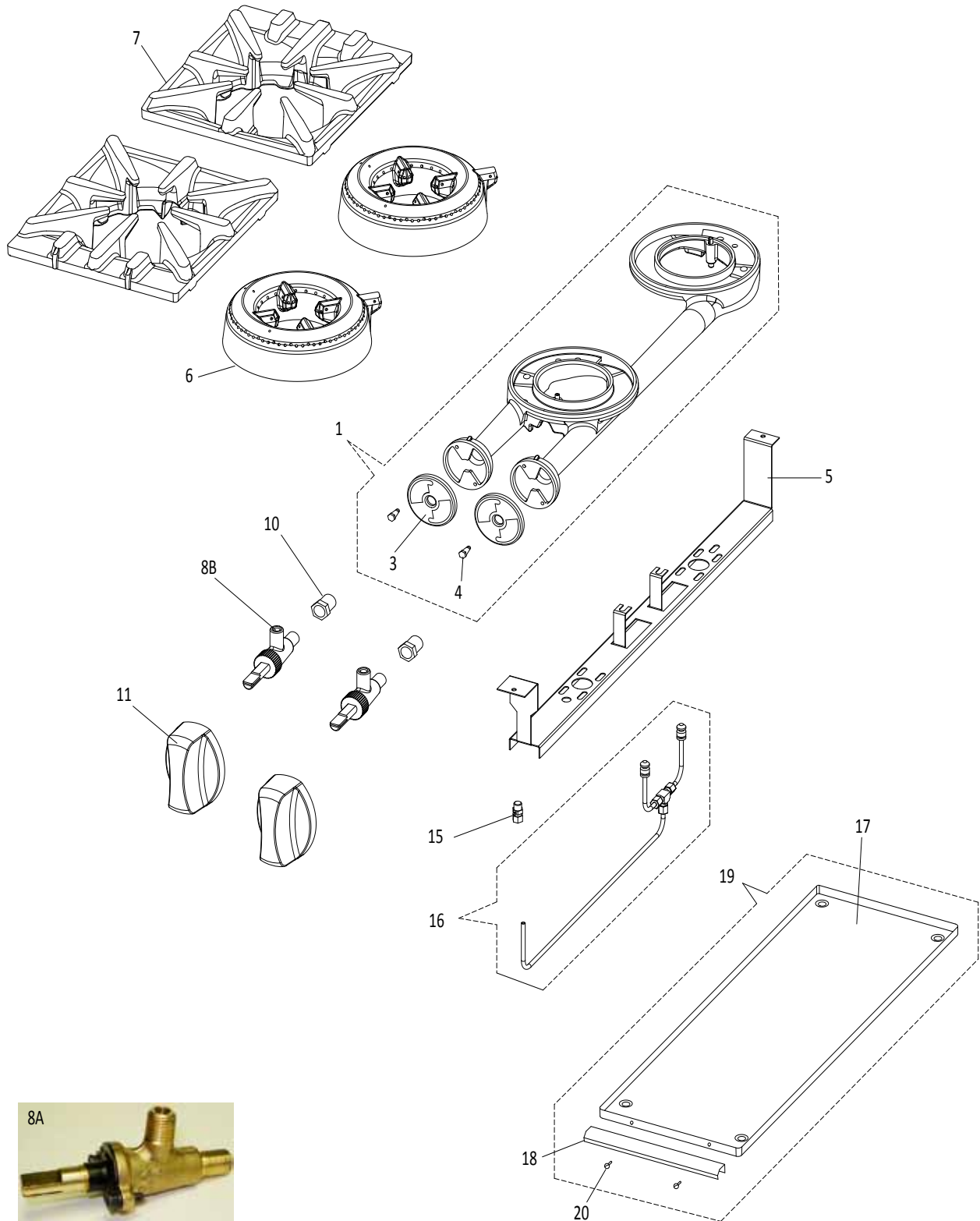
60" SINGLE OR DOUBLE STANDARD OVENS / CABINET DOOR COMPONENTS

ITEM	PART#	DESCRIPTION	OVEN LEFT	OVEN RIGHT	DOUBLE OVENS	FROM	UP TO	CRITICAL
82A	4527220	SIT Pilot Tube Connection	-	-	1			
83	4523686	.187 (3/16) Dia Tubing, SIT Valve to Oven Pilot, Oven on the Right	-	1	1			
85	4522996	Tie Strap Top	-	-	1			
86	4522995	Tie Strap Front	-	-	1			
89	4525043	Hearth Support, L/H 36" (removable) Note: Used FROM (serial#) 0804100101527 (model) X60-10RR.	1	1	2	1-MAY/08		
90	4525044	Hearth Support, R/H 36" (removable) Note: Used FROM (serial#) 0804100101527 (model) X60-10RR.	1	1	2	1-MAY/08		
91	4523032	Fireplate, 26W Oven, Sunfire	1	1	2			
92	4522385	Oven Hearth 26W x 22D - Enamelled	1	1	2			
95	F16	SIT to Manifold Mounting Bolts (#10-24 x 2-1/2", Round Head, Slot Drive)	2	2	4			
96	F312	SIT to Manifold Mounting Lock Nut (#10-24, K-Lock Nut)	2	2	4			
LEGS & CASTERS								
200	4522416	6" Adjustable Leg, Sunfire	-	-	4			
201	4524104	6" Flanged Leg (Optional)	-	-	4			
202	4526324	6" Caster Package, non-adjustable (Optional) Note: Includes items 204, 205, 208, and installation instructions.	-	-	1			
203	4526323	6" Caster Package, adjustable (Optional) Note: Includes items 206, 207, 208, and installation instructions.	-	-	1			
204	4522417	6" Caster No Brake, 3/4-10 mount, non-adjustable	-	-	2			
205	4522916	6" Caster With Brake, 3/4-10 mount, non-adjustable	-	-	2			
206	4525597	6" Caster No Brake, 3/4-10 mount, adjustable	-	-	2			
207	4525598	6" Caster With Brake, 3/4-10 mount, adjustable	-	-	2			
208	4526157	Caster Washer Note: Used FROM (serial#) 0901100100838 (date) 20-Jan-09.	-	-	4	20-JAN/09		
209	4526325	Caster Washer Kit	-	-	1			
DOOR COMPONENTS - STORAGE BASE MODEL								
300	4524282	Door Panel Outer - 36", Standard Base	1	1	-			
301	4524283	Door Panel Inner - 36", Standard Base	1	1	-			
302	F557	5/32" Rivet - S/S (Grip Range .039" - .118")	10	10	-			
303	078056-5	Flange Bearing/Bushing	2	2	-			
304	2530900	0.375" Hole Plug	2	2	-			
305	3031900	Storage Door Handle	1	1	-			
306	4524288	Door Hinge Assembly - Right	1	1	-			
307	4524287	Door Hinge Assembly - Left	1	1	-			
308	4524284	Door Stop - 36" Door, Standard Base	1	1	-			
309	F60	Screw-10AX 5/8 InterLock Quad Pan	8	8	-			
310	078174-1	Magnetic Door Catch	1	1	-			
311*	4523669	Logo, Stick-On, Sunfire	1	1	-			

* NOT ILLUSTRATED

RECOMMENDED STOCK PARTS

Open Top Burners (12" Section Shown)



SUNFIRE PARTS IDENTIFICATION
X Series Gas Restaurant Ranges models X24, X36, X60

OPEN TOP BURNERS

ITEM	PART #	DESCRIPTION	OPEN TOP SECTION				CRITICAL
			12"	24"	36"	60"	
1	4522264	Dual Venturi Housing Base Assembly	1	2	3	5	
3	4522266	Air Shutter - Open Top	2	4	6	10	
4	F43	10-24 x 3/8" Hex Washer Head Screw	2	4	6	10	
5	4523090	Open Top Burner Rest	1	2	3	5	
6	4522273	Burner Head - Sunfire	2	4	6	10	
7	4522296	Top Grate - Sunfire	2	4	6	10	
8A	26878XX	Open Burner Valve, no Hood Note: Used UP TO (date) 2-May/12 (model) G36-6R-0005 / U36-6C-0014 (serial#) 1204100101467 / 1204100101482	2	4	6	10	C
8B	4530671	Open Burner Valve, no Hood Note: Used FROM (date) 2-May/12 (model) G36-6R-0005 / U36-6C-0014 (serial#) 1204100101467 / 1204100101482	2	4	6	10	C
10	M8-38	Sunfire Open Top Orifice Natural Gas #38	2	4	6	10	C
	M8-53	Sunfire Open Top Orifice Propane Gas #53	2	4	6	10	C
11	4522585	Knob - Sunfire	2	4	6	10	C
15	1086597	Pilot Gum Valve	1	2	3	5	
16	4523127	Open Top Pilot Tube Assembly	1	2	3	5	
17	4522401	Crumb Tray	1	2	3	5	
18	4522403	Crumb Tray Trim	1	2	3	5	
19	CK4523335	Crumb Tray Assembly - Sunfire	1	2	3	5	
20	F554	Rivet .125" Dia. SS	2	4	6	10	

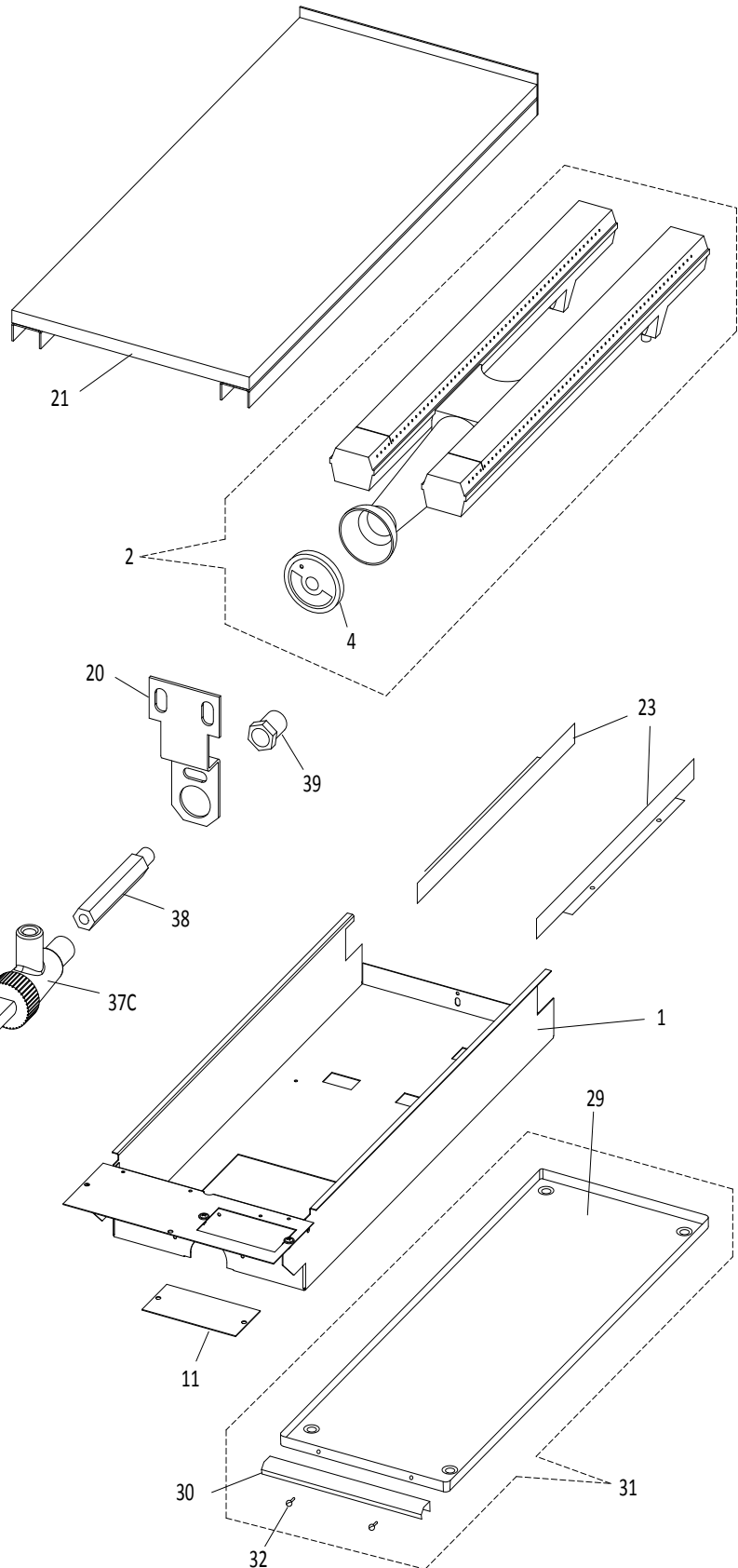
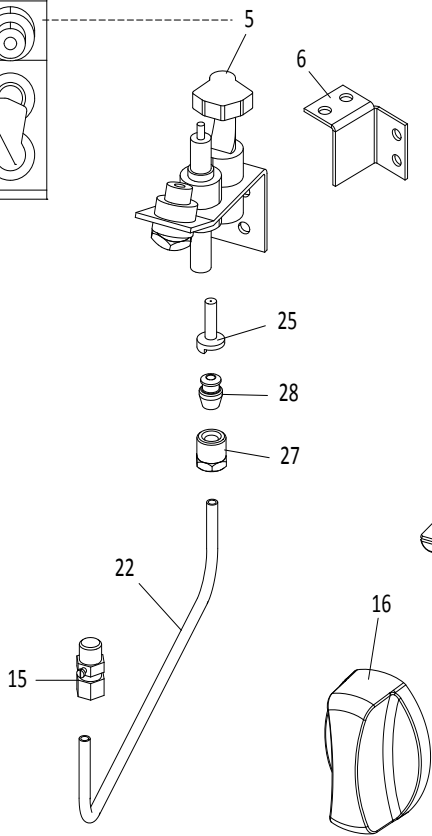
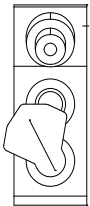
* NOT ILLUSTRATED

RECOMMENDED STOCK PARTS

Hot Top (12" Section Shown)



Pilot L/H
Top View



Range Top - Hot Top

SUNFIRE PARTS IDENTIFICATION
X Series Gas Restaurant Ranges *models X24, X36, X60*

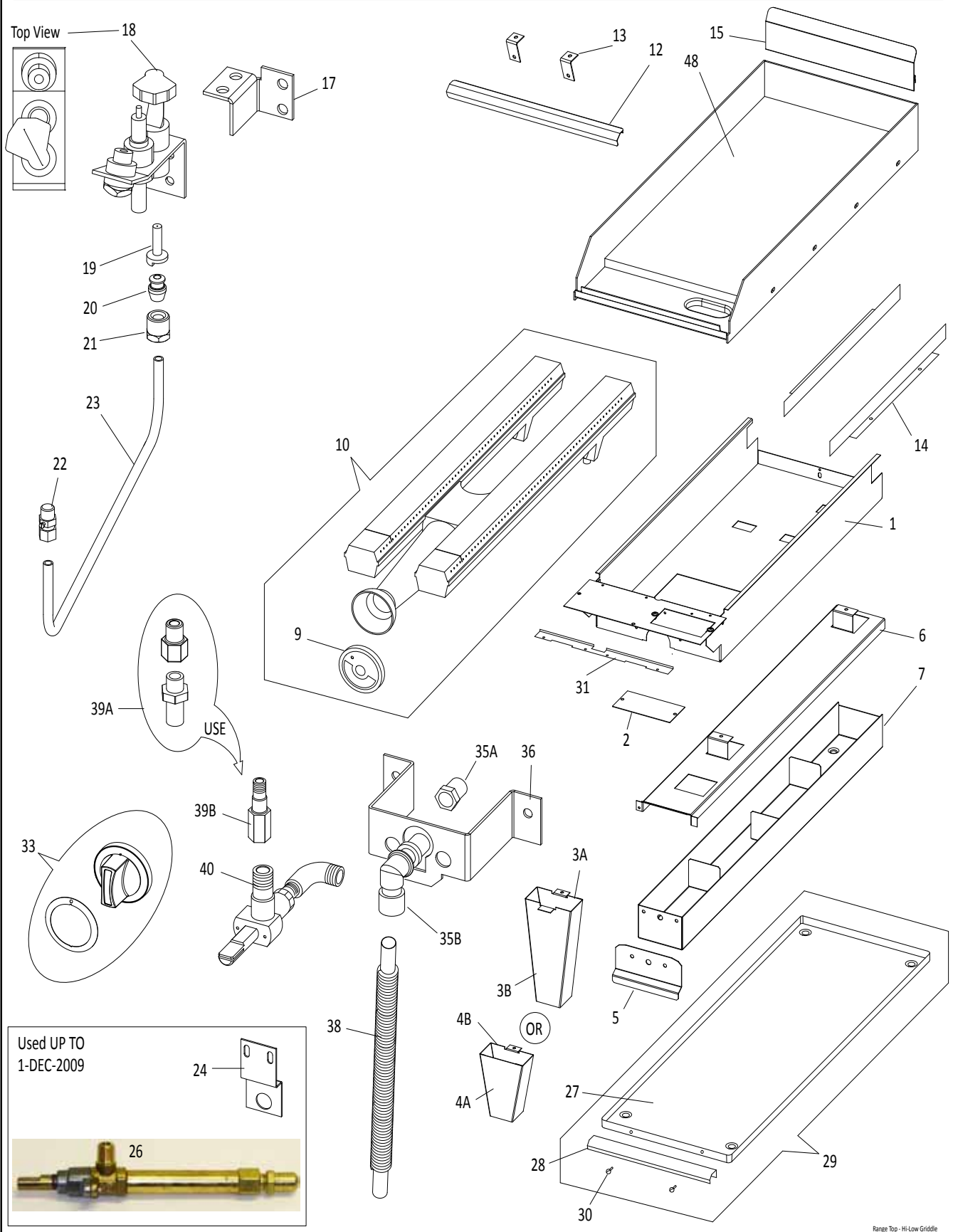
HOT TOP

ITEM	PART #	DESCRIPTION	HOT TOP			FROM	UP TO	CRITICAL
			12"	24"	36"			
1	4525514	Hot Top / Griddle Burner Box	1	2	3			
2	4525463	H-Burner W/Shutter Assembly (Partially Ported) Note: Assembly includes a cast iron H-burner (p/n 1014901) and an air shutter.	1	2	3			
4	1028002	Air Shutter - Hot Top / Griddle	1	2	3			
5	2200701	Pilot L/H #0.145.007	1	2	3			C
6	4525503	Pilot Bracket	1	2	3			
11	4524158	Griddle / Hot Top Box Patch	1	2	3			
15	1086597	Pilot Gum Valve	1	2	3			
16	4522585	Knob - Sunfire	1	2	3			
20	4523483	Hot Top Valve Extension Support	1	2	3			
21	4523148	Hot Top 12" Assembly	1	2	3			
22	4523286	3/16" Tubing Hot Top Pilot To Gum Valve	1	2	3			
23	4525515	Burner Side Deflector	2	4	6			
25	2200702	Pilot Orifice #32 Natural Gas	1	2	3			C
	2200703	Pilot Orifice #23 Propane Gas	1	2	3			C
27	2200704	3/16" Compression Nut	1	2	3			C
28	2200705	3/16" Ferrule	1	2	3			C
29	4522401	Crumb Tray	1	2	3			
30	4522403	Crumb Tray Trim	1	2	3			
31	CK4523335	Crumb Tray Assembly - Sunfire	1	2	3			
32	F554	Rivet .125" Dia. SS	2	4	6			
37A	1086580	Hi-Low Valve Assembly, Natural Gas #47 w/ Extension and Orifice	1	2	3		1-DEC/09	C
	1086595	Hi-Low Valve Assembly, Propane Gas #1.3mm w/ Extension and Orifice	1	2	3		1-DEC/09	C
37B	26878XX	Open Burner Valve, no Hood Note: Used UP TO (date) 2-May/12 (model) G36-6R-0005 / U36-6C-0014 (serial#) 1204100101467 / 1204100101482	1	2	3	2-DEC/09	2-MAY/12	C
37C	4530671	Open Burner Valve, no Hood Note: Used FROM (date) 2-May/12 (model) G36-6R-0005 / U36-6C-0014 (serial#) 1204100101467 / 1204100101482	1	2	3	2-MAY/12		C
38	2706802	Valve Extension, 3.25"	1	2	3			C
39	M8-47	Hot Top/Griddle Orifice Natural Gas #47	1	2	3			C
	M8-1.3MM	Hot Top/Griddle Orifice Propane Gas #1.3mm	1	2	3			C

* NOT ILLUSTRATED

RECOMMENDED STOCK PARTS

Hi / Low Griddle Top



SUNFIRE PARTS IDENTIFICATION
X Series Gas Restaurant Ranges *models X24, X36, X60*

HI / LOW GRIDDLE TOP

ITEM	PART#	DESCRIPTION	GRIDDLE SIZE							FROM	UP TO	CRITICAL
			12"	24"	36" (RIGHT)	36" (LEFT)	48" (RIGHT)	48" (LEFT)	60"			
1	4525514	Hot Top / Griddle Burner Box (was 4523179)	1	2	3	3	4	4	5			
2	4524158	Griddle / Hot Box Patch		1	2	2	2	2	3			
3A	4524326	12" Chute Rear Plate	1									
3B	4524325	12" Grease Chute Funnel	1									
4A	4523219	Grease Chute Rear Plate		1	1	1	2	2	2			
4B	4523218	Grease Chute Funnel		1	1	1	2	2	2			
5	4523217	Grease Drawer Handle		1	1	1	2	2	2			
6	4523221	Grease Drawer Shield		1	1	1	2	2	2			
7	4523493	Grease Drawer Assembly		1	1	1	2	2	2			
9	1028002	Air Shutter - Hot Top / Griddle	1	2	3	3	4	4	5			
10	4525463	H-Burner w/ Shutter Assembly (Partially Ported) Note: Assembly includes a cast iron H-burner (p/n 1014901) and an air shutter.	1	2	3	3	4	4	5			
12	4524416	6" False Trim S/S (For any 60" unit w/ a 48" Griddle Left)						1				
	4523552	16" False Trim S/S		1		1		1				
	4523690	17" False Trim S/S (For any 36" unit w/ a 24" Griddle Right)		1								
	4523528	28" False Trim S/S (For any 60" Griddle; 36" unit w/ a 36" Griddle; any 60" unit w/ a 36" Griddle Left)			1	1			1			
	4523516	29" False Trim (For any 60" units w/ a 36" Griddles Right)			1							
13	4523519	False Trim Bracket		2	2	2	4	6	4			
14	4525515	Burner Side Deflector	2	4	6	6	8	8	10			
15	4523418	Rear Griddle Splash Guard - 12"	1									
	4523419	Rear Griddle Splash Guard - 24"		1								
	4523420	Rear Griddle Splash Guard - 36"			1	1						
	4523421	Rear Griddle Splash Guard - 48"					1	1				
	4523422	Rear Griddle Splash Guard - 60"							1			
17	4525503	Sit Pilot Bracket (was 4523176)	1	2	3	3	4	4	5			
18	2200701	Pilot L/H #0.145.007	1	2	3	3	4	4	5			C
19	2200702	Pilot Orifice #32 (Natural Gas)	1	2	3	3	4	4	5			C
	2200703	Pilot Orifice #23 (Propane Gas)	1	2	3	3	4	4	5			C
20	2200705	3/16" Ferrule - Pilot	1	2	3	3	4	4	5			C
21	2200704	3/16" Compression Nut - Pilot	1	2	3	3	4	4	5			C
22	1086597	Pilot Gum Valve	1	2	3	3	4	4	5			
23	4523286	3/16 Tubing Pilot to Gum Valve	1	2	3	3	4	4	5			
24	4523483	Hot Top Valve Ext. Support	1	2	3	3	4	4	5		1-DEC/09	
26	1086580	Hi-Low Valve Assembly Natural Gas #47 w/Extension & Orifice	1	2	3	3	4	4	5		1-DEC/09	C
	1086595	Hi-Low Valve Assembly Propane Gas #1.3mm w/ Extension & Orifice	1	2	3	3	4	4	5		1-DEC/09	C
27	4522401	Crumb Tray	1									
28	4522403	Crumb Tray Trim	1									

* NOT ILLUSTRATED

RECOMMENDED STOCK PARTS

SUNFIRE PARTS IDENTIFICATION
X Series Gas Restaurant Ranges models X24, X36, X60

HI / LOW GRIDDLE TOP

ITEM	PART#	DESCRIPTION	GRIDDLE SIZE							FROM	UPTO	CRITICAL
			12"	24"	36" (RIGHT)	36" (LEFT)	48" (RIGHT)	48" (LEFT)	60"			
29	CK4523335	Crumb Tray Assembly, Sunfire	1									
30	F554	Rivet .125" Dia. SS	1									
31	4525512	Griddle Box Heat Shield	1	2	3	3	4	4	5			
33	4525452	Knob Assembly, Hi-Lo Griddle, X Series	1	2	3	3	4	4	5			C
35A	M8-47	Hot Top/Griddle Orifice Natural Gas #47	1	2	3	3	4	4	5			C
	M8-1.3MM	Hot Top/Griddle Orifice Propane Gas #1.3mm	1	2	3	3	4	4	5			C
35B	G02486XX	Orifice Fitting (without orifice) Note: Used FROM (serial#) 0911100101162 (model) G60-6G24RR-0002	1	2	3	3	4	4	5	2-DEC, 2009		C
35C*	G02486-47F	Orifice Fitting 47F - Natural Gas	1	2	3	3	4	4	5			C
	G02486-1300	Orifice Fitting 1.3mm - Propane Gas	1	2	3	3	4	4	5			C
36	4527389	Orifice Bracket Note: Used FROM (serial#) 0911100101162 (model) G60-6G24RR-0002	1	2	3	3	4	4	5	2-DEC, 2009		
38	Note: Production switched from 12" flex tubing to 6" as of 22-JAN-2010. The 6" version is sufficient.											
	4521446	1/4" Flex Tubing, 12" Long (Valve to Orifice Fitting) Note: Used FROM serial#: 0911100101162 / model: G60-6G24RR-0002	1	2	3	3	4	4	5	2-DEC, 2009	21-JAN, 2010	
	4525331	1/4" Flex Tubing, 6" Long, S/S (Valve to Orifice Fitting)	1	2	3	3	4	4	5	22-JAN, 2010		
39A	4524442	1/8 NPT Hex Piple Nipple	1	2	3	3	4	4	5	2-DEC/09	28-FEB, 2010	
	4527682	Coupling 1/8 NPT Brass	1	2	3	3	4	4	5	2-DEC/09	28-FEB, 2010	
39B	4527831	Extension 1/8" NPTMale To NPTFemale Brass Note: Replaced both items in 39A.	1	2	3	3	4	4	5	1-MAR, 2010		C
40	G02599-01	HI-LOW Valve with 90 Degree Elbow Note: Used FROM (serial#) 0911100101162 (model) G60-6G24RR-0002.	1	2	3	3	4	4	5	2-DEC/09		C

* NOT ILLUSTRATED

RECOMMENDED STOCK PARTS

SUNFIRE PARTS IDENTIFICATION
X Series Gas Restaurant Ranges *models X24, X36, X60*

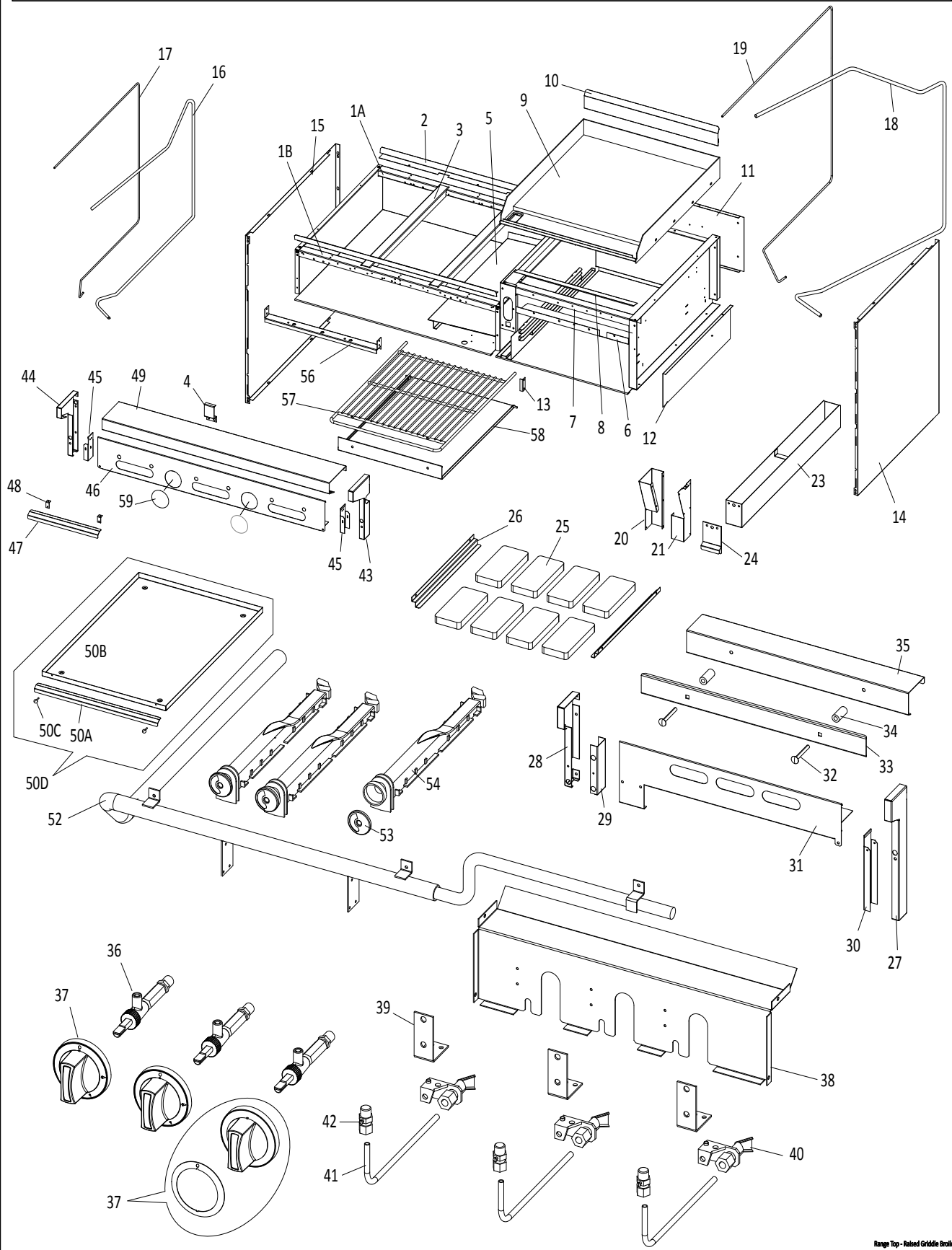
HI / LOW GRIDDLE TOP

ITEM	PART#	DESCRIPTION	GRIDDLE SIZE						FROM	UPTO	CRITICAL
			12"	24"	36" (RIGHT)	36" (LEFT)	48" (RIGHT)	48" (LEFT)			
48	4523235	12" Griddle Assembly	1								
	4523780	12" Griddle Assembly (Fully Grooved)	1								
	4523234	24" Griddle Assembly		1							
	4523781	24" Griddle Assembly (Fully Grooved)		1							
	4523782	24" Griddle Assembly (Right Grooved)		1							
	4523783	24" Griddle Assembly (Left Grooved)		1							
	4523236	36" Griddle Assembly			1	1					
	4523784	36" Griddle Assembly (Fully Grooved)			1	1					
	4523785	36" Griddle Assembly (Right Grooved)			1	1					
	4523786	36" Griddle Assembly (Left Grooved)			1	1					
	4523387	48" Griddle Assembly - R/H Side					1				
	4523787	48" Griddle Assembly (Fully Grooved) - R/H Side (on any 60" unit)					1				
	4523788	48" Griddle Assembly (Right Grooved) - R/H Side (on any 60" unit)					1				
	4523789	48" Griddle Assembly (Left Grooved) - R/H Side (on any 60" unit)					1				
	4524404	48" Griddle Assembly - L/H Side (on any 60" unit)						1			
4523388	60" Griddle Assembly							1			

* NOT ILLUSTRATED

RECOMMENDED STOCK PARTS

Raised Griddle Broiler Top



Range Top - Raised Griddle Broiler

SUNFIRE PARTS IDENTIFICATION
X Series Gas Restaurant Ranges *models X24, X36, X60*

RAISED GRIDDLE BROILER TOP

ITEM	PART #	DESCRIPTION	QUANTITY	CRITICAL
1A	4523068	36" Main Channel – Front	1	
1B	4525530	36" Main Channel – Rear	1	
2	4523069	36" Drip Angle	2	
3	4523087	Top Grate Support Rail	2	
4	4523194	Rail Support Bracket	1	
5	4524650	Deflector Crumb Tray	1	
6	4524641	RGB Rail Shield	1	
7	4523820	RGB Front Channel	1	
8	4524642	RGB Front Griddle Seal	1	
9	4524038	RGB Griddle Assembly	1	
10	4523419	24" Rear Griddle Splash Guard	1	
11	4523829	RGB Back Liner	1	
12	4523826	RGB Side Liner Air Shield	1	
13	4523819	RGB Rack Stop Angle	1	
14	4523810	RGB Side Right	1	
15	4522764	Body Side Lt/Rt	1	
16	4530485	.437 (7/16) Dia Tubing SIT Valve to Oven Orifice Fitting - Oven on the Left	1	
17	4523570	.187 (3/16) Dia Tubing SIT Valve to Oven Pilot - Oven on the Left (X Series)	1	
18	4529679	.437 (7/16) Dia Tubing SIT Valve to Oven RGB - Oven on the Right	1	
19	4525185	.187 (3/16) Dia Tubing SIT Valve to Oven Pilot RGB - Oven on the Right (X Series)	1	
20	4523824	RGB Grease Chute Front	1	
21	4523825	RGB Grease Chute Rear	1	
23	4524649	RGB Grease Drawer Assembly	1	
24	4523812	Grease Drawer Handle	1	
25	1091000	Ceramic Radiant RGB	8	
26	4524643	RGB Ceramic Support Lt/Rt	2	
27	4524645	RGB Valve Panel End Cap Right Long (Used UP TO 11-May-2008)	1	
	4524639	RGB Valve Panel End Cap Right Long Note: Used FROM (date) 12-May-08 / (serial#) 0805100100306 / (model) X60-6R24RR-0003	1	
28	4524646	RGB Valve Panel End Cap Left (Used UP TO 11-May-2008)	1	
	4524640	RGB Valve Panel End Cap Left Note: Used FROM (date) 12-May-08 / (serial#) 0805100100306 / (model) X60-6R24RR-0003	1	
29	4523799	RGB Valve Panel Side Shield	1	
30	4523803	RGB Burner Box Filler Right	1	
31	4523813	RGB Valve Panel, 24"	1	
32	4515934	2.5" Carriage Bolt S/S	2	
33	4521619	RGB Front Rail Bar	1	
34	3038601	RGB Front Rail Bar Spacer S/S	2	
35	4524644	RGB Plate Rail (Used UP TO 11-May-2008)	1	
	4524638	RGB Plate Rail Note: Used FROM (date) 12-May-08 / (serial#) 0805100100306 / (model) X60-6R24RR-0003	1	
36	1086593	RGB Hi-Lo Valve w/extension & #53F Orifice Natural Gas	3	C
	1086594	RGB Hi-Lo Valve w/extension & #61F Orifice Propane Gas	3	C
37	4525452	Knob Assembly, Griddle Hi/Lo - X Series Sunfire	3	C

* NOT ILLUSTRATED

RECOMMENDED STOCK PARTS

SUNFIRE PARTS IDENTIFICATION
X Series Gas Restaurant Ranges *models X24, X36, X60*

RAISED GRIDDLE BROILER TOP

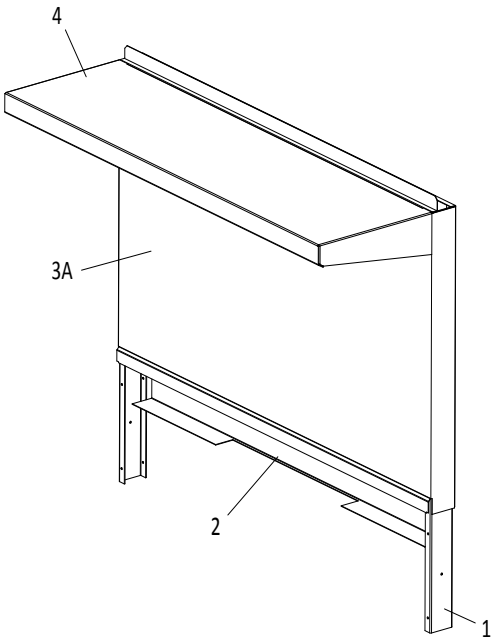
ITEM	PART #	DESCRIPTION	QUANTITY	CRITICAL
38	4523815	Broiler Box Shield	1	
39	4523823	RGB Pilot Bracket	3	
40	1473700	Broiler Pilot Assembly - Natural Gas	3	C
	1473701	Broiler Pilot Assembly - Propane Gas	3	C
41	4524667	RGB Pilot Tubing	3	
42	1086597	3/16" Pilot Gum Valve	3	
43	4524682	Valve Panel End Cap Right RGB (Used UP TO 16-Nov-2009)		
	4527428	Valve Panel End Cap Right RGB, X Series Note: Used FROM (date) 17-Nov-09 (serial#) 0911100100549 (model) X60-6R24RR-0003	1	
44	4523251	Valve Panel End Cap Left, Sunfire (Used UP TO 16-Nov-2009)	1	
	4527427	Valve Panel End Cap Left, Sunfire Note: Used FROM (date) 17-Nov-09 (serial#) 0911100100549 (model) X60-6R24RR-0003	1	
45	4526110	Burner Box Filler (was 4523193)	2	
46	4524680	36" Valve Panel - RGB Right (Used UP TO 01-Dec-2009)	1	
	4523736	36" Valve Panel - RGB Right Note: Used FROM (date) 02-Dec-09 (serial#) 0911100101162	1	
49	4523253	36" Plate Rail, Sunfire	1	
50A	4523832	RGB Tray Trim S/S	1	
50B	4523828	RGB Grease Tray	1	
50C	F554	Rivet .125" Dia. SS	1	
50D	CK4523828	RGB Grease Tray Assembly	1	
52	4522565	60" Manifold Assembly RGB Right (without fittings)	1	C
53	1028002	RGB Burner Air Shutter	3	
54	1090500	RGB Burner	3	
56	4523822	RGB Burner Rest	1	
57	1090600	RGB Wire Rack	1	
58	4524648	RGB Wire Rack Drip Shield	1	
59	4523746	2.5" Dia Nickel Plated Steel Hole Plug - Storage Base Left/Right	MAX 2	

* NOT ILLUSTRATED

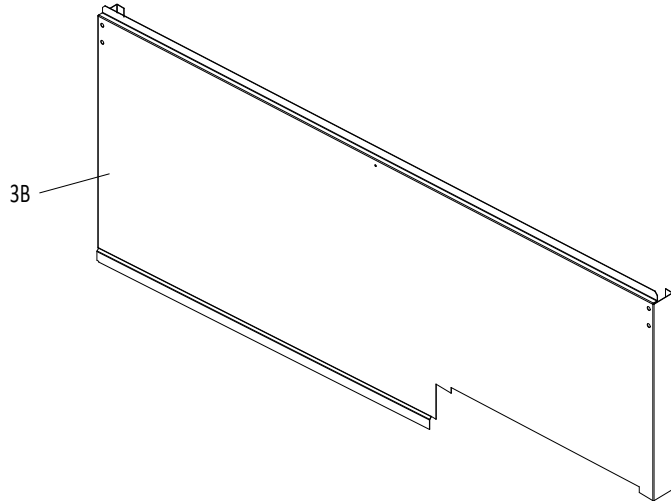
RECOMMENDED STOCK PARTS

Blank Page

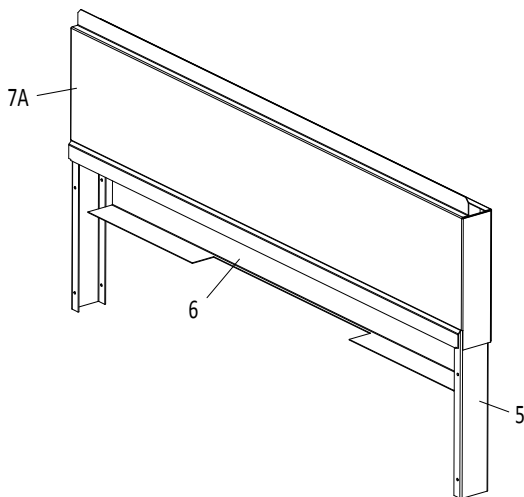
High Shelf & Low Profile Back Guard Components



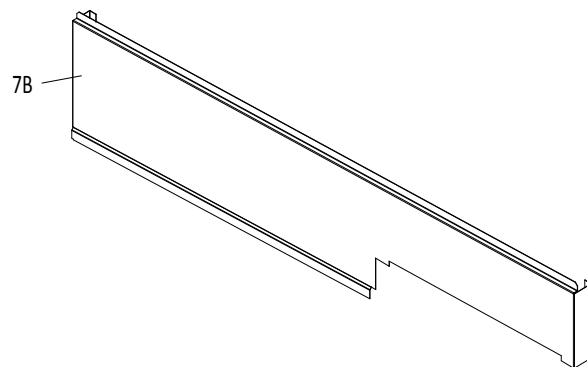
36" High Shelf Shown



60" High Shelf Front Panel
for Raised Griddle Broiler Only



48" Back Guard Shown



60" Low Guard Front Panel
for Raised Griddle Broiler Only

SUNFIRE PARTS IDENTIFICATION
X Series Gas Restaurant Ranges models X24, X36, X60

HIGH SHELF & LOW PROFILE BACK GUARD COMPONENTS

ITEM	PART #	DESCRIPTION	QUANTITY
High Shelf (HS) Components			
1	4523112	High Shelf Upright (Vertical Side Channel)	2
2	4523267	24" HS Back Panel	1
	4524105	24" HS Back Panel - S/S	1
	4523111	36" HS Back Panel	1
	4523312	36" HS Back Panel - S/S	1
	4523290	48" HS Back Panel	1
	4524106	48" HS Back Panel - S/S	1
	4523268	60" HS Back Panel	1
3A	4524107	60" HS Back Panel - S/S	1
	4523289	24" HS Front Panel	1
	4523110	36" HS Front Panel	1
	4523291	48" HS Front Panel	1
3B	4523264	60" HS Front Panel	1
	4523833	60" HS Front Panel - for Raised Griddle Broiler Model Only	1
4	4523293	24" Shelf	1
	4523113	36" Shelf	1
	4523294	48" Shelf	1
	4523270	60" Shelf	1
9" Low Profile Back Guard (LPBG) Components			
<p>NOTE: ALL 6" Low Profile Back Guard Components are No Longer Available (NLA). Replacing any 6" Low Profile Components will require a complete conversion to the 9" Low Profile Back Guard Assembly.</p>			
5	4525520	9" LPBG Upright (Vertical Side Channel)	2
	4524097	9" LPBG Upright (Vertical Side Channel) for Raised Griddle Broiler Model Only	2
6	4525521	24" LPBG Back Panel	1
	4525522	24" LPBG Back Panel - S/S	1
	4525523	36" LPBG Back Panel	1
	4525524	36" LPBG Back Panel - S/S	1
	4525525	48" LPBG Back Panel	1
	4525526	48" LPBG Back Panel - S/S	1
	4525527	60" LPBG Back Panel	1
	4525528	60" LPBG Back Panel - S/S	1
	4523887	60" LPBG Back Panel - for Raised Griddle Broiler Model Only	1
	4523895	60" LPBG Back Panel - S/S - for Raised Griddle Broiler Model Only	1
7A	4525516	24" LPBG Front Panel	1
	4525517	36" LPBG Front Panel	1
	4525518	48" LPBG Front Panel	1
	4525519	60" LPBG Front Panel	1
7B	4523886	60" LPBG Front Panel - for Raised Griddle Broiler Model Only	1

SUNFIRE PARTS IDENTIFICATION
X Series Gas Restaurant Ranges models X24, X36, X60

GAS CONVERSION KITS

PART#	DESCRIPTION
4525165	Conversion Kit 24" / 36" G/U/X Ranges - To Propane Gas
4525166	Conversion Kit 24" / 36" G/U/X Ranges - To Natural Gas
4525314	Conversion Kit 48" / 60" G/U/X Ranges - To Propane Gas
4525316	Conversion Kit 48" / 60" G/U/X Ranges - To Natural Gas

Revision History (X Series Gas Ranges)

REV	PAGE#	ITEM#	NOTES	DATE
0			Part list Released – Approximated 413 Part Numbers	10 JUN/08
3	4		New Drawing	1-APR/09
	5	16A, 17	Up To Date Added	
		16B	New Part Number	
		19	Part Number Changed - Was M9-54 Large Orifice #54 Propane	
4	INDEX		Description From Page 4 Changed Was: SUNFIRE 24" X SERIES RESTAURANT RANGE STANDARD	21-MAY/09
	4		OVEN VIEW SECTION	
5	4,8,12		New Drawing	27-OCT/09
	6,(10),14	64A,(69A) 66A	New Part Number Added - 4527220	
		81,(91),91	Part Number Changed For The 6" Adjustable Caster (3/4-10 Mount) W/O Brake - Was 4523013, First Range Manufactured With New Leg Start Date June 08/09.	
	7,(11),15	82,(92),92	Part Number Changed For The 6" Adjustable Caster (3/4-10 Mount) With Brake - Was 4523014, First Range Manufactured With New Leg Start Date June 08/09.	
		12	Note Added Under Part Numbers 4524416,4524414,4523690,4523516,4523528	
19	16	Note Added Under Part Numbers 4524404		
6	6	54	Part # 4523594, 4523635 - Up To Date, Note Added New Part Numbers Added - 4523199 And 4523621	11-JAN/10
		56A,57A	Up To, Date Added	
		56B, 57B	New Part Numbers Added	
	10	59	Part # 4523330, 4523622, 4523633 - Up To Date, Note Added New Part Numbers Added - 4523088, 4523613, 4524094 And 4523615	
		61A,62A	Up To, Date Added	
		61B,62B	New Part Numbers Added	
	14	56	Part # 4523581,4523577,4523573,4523659,4524457,4524458 - Up To Date, Note Added	
			New Part Numbers Added - 4523583,4523977,4523474,4523554,4523527, 4524354, 4524360,4524356	
	15	58A, 59A	Date Added	
		58B, 59B	New Part Numbers Added	
	17	18	New Part Numbers Added - Was Part#: 4522403	
	19	11	New Drawing	
			12	
	20	24,26A,26B	Date Added (UP TO Column)	
		36, 37, 38, 39, 40, 41	New Part Numbers Added	
24	43A, 44A	Date Added		
	43B, 44B	New Part Numbers Added		
	46	Part # 4524680 - Up To Date, Note Added		
		New Part Numbers Added - 4523736		
47	New Part Numbers Added - Was Part#: 4522403			
27	30	New Part Numbers Added - Was Part#: 4522403		
7	9,14	36.37	Part number changed - was 4523085	5-FEB/10
	20	38B	New Part Number Added - Important Notes Added Above	

Revision History (X Series Gas Ranges)

REV	PAGE#	ITEM#	NOTES	DATE
8	18		New Drawing	3-MAR/10
	20	42	New Part Number Added	
9	13	22	P/N changed. 4525051 was 4522901.	19-APR/10
	16,18,22,26		New illustrations.	
	17,27	19,31	CK4523335 replaced 4523335.	
	20	29	CK4523334 replaced 4523334.	
	17,20,24,27	18B,28B, 51C,30B	New P/N	
	24	50	Added CK4523828	
10			A number of parts have been substituted. See part descriptions for old part numbers.	19-OCT/12
	5		Added rating plate, serial#, and model code info. page.	
			Removed Crumb Tray Trim 4522402 (S/S), as used in CK4523334. Use Crumb Tray Trim 4522403 (Sunfire) where CK4523335 is listed. But trims are interchangeable.	
			A number of X series models have been removed from production. Related part numbers stay in parts list. No implementation date info added.	
			Revised illustrations. Reorganized and simplified some entries. Pages and item# do not match those in previous revisions.	
	6-11 12-17 18-23	300-311	Added, cabinet door components (storage base option).	
	8-11	19B	Added, Oven Orifices, 1415540F, 14155452F	
		69	Tubing 4530485. Was 4523243.	
	12-17		Removed flue extension assembly 4522908 as a Phantom	
		49A	Added 4520720. Not used in many other models.	
	18-23		Removed flue extension assembly 4522908 as a Phantom	
		80	Oven gas tubing, current is 4530485, was 4523243. Implementation date unknown.	
		81	Oven gas tubing, current is 4530483, was 4523982. Implementation date unknown.	
	24-25	8A,8B	Burner gas valve, new: 4530671 and old: 26878XX. See info in description. PCO06146.	
		2	Removed 4522265. Sell as 4522264, w/ air shutter.	
	26-27	37A,37B,37C	Gas Valves 1086580/1086595 are obsolete. See dates. Gas Valve 26878xx was used. See dates. New Gas Valve 4530671. See info in description. PCO06146.	
	28-31		Removed 1014901burner. Use assembly 4525463, w/ air shutter.	
		35A	Added Orifices, M8-47, M8-1.3mm per BOM. Implementation date unknown. Were M8-44/M8-55.	
35C		Added Orifice Fittings G02486-1300, G02486-47F		
32-34	16-19	Gas Tubings. Current: 4530485, was 4523243. Current 4529679, was 4524797. Implementation dates unknown. Replaced illustrations with current drawings.		
	36	Revised descriptions. #53F, was #53; #61F, was #61.		
36-37		Combined multiple pages from Rev 9.		

** Page#/Item# reference the specific page/item numbers in the corresponding Revision version only.

SUNFIRE[®]
