

Item No: _____

Model No: _____

Qty: _____

Project: _____



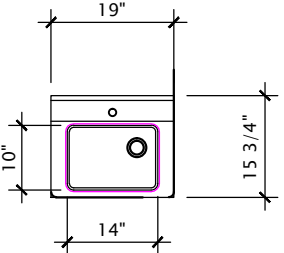
Hand Sink with Skirt and Foot Pedal

- All stainless steel construction
- Sink bowl 10x14x10" deep with stopper
- 6" gooseneck faucet included
- 15" backsplash
- Fully welded and assembled



Mobile Soak Sink

- Let your baked on foods soak to save valuable wash time
- Heavy duty stainless steel construction
- 3.5" centre drain hole
- Galvanized legs and 4 sided brace standard
- Casters included, 2 swivel, 2 swivel with brake
- Lever waste included

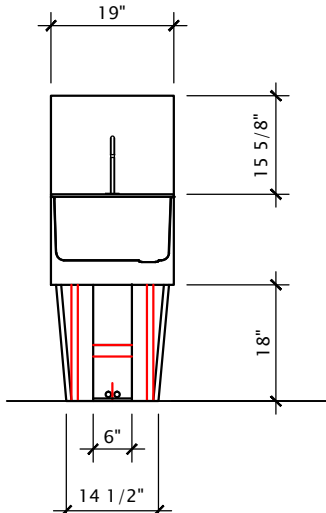


HSSBF-1014

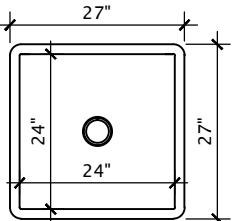
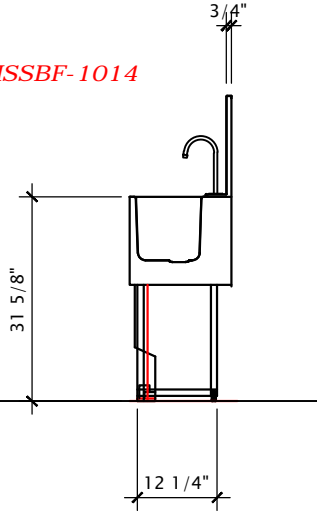
MSS2424

Model No.	Description	Bowl Size D x L x H	Overall Size D x L x H	Weight lbs.
HSSBF-1014	Hand Sink with Skirt and Foot Pedal	10"x14"x10"	16"x19"x32"	54
MSS2424	Mobile Soak Sink c/w lever waste	24"x24"x13"	24"x24"x36"	58

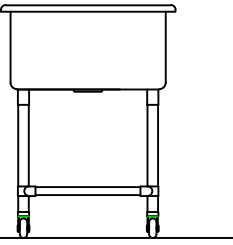
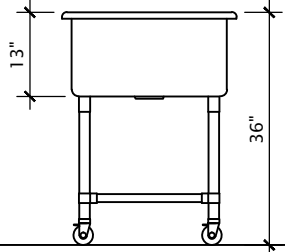
Sizes nominal, detailed specifications available upon request. Specifications subject to change without notice.



HSSBF-1014



MSS2424



■ 1 1/2" Drain



Corporate Head Office
 2780 Coventry Road,
 Oakville, Ontario, L6H 6R1
 Phone: 905-825-9665
 Fax: 905-825-0965
 info@tarrison.com
 www.tarrison.com

US Distribution Center
 150 Gratiot Blvd,
 Marysville, MI 48040
 info@tarrison.com
 www.tarrison.com

US Sales Office
 29 Craftsbury Crest,
 Essex Junction, VT. 05452
 Phone: 802-872-9292
 info@tarrison.com
 www.tarrison.com

