

Item No: _____

Model No: _____

Qty: _____

Project: _____



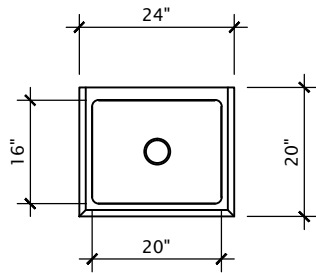
MS-16206

Mop Sinks

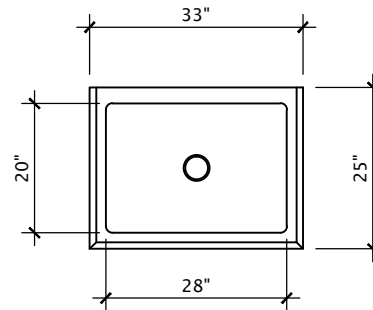
- Heavy duty stainless steel construction
- 1.5" riser back
- 3.5" centre drain hole, drain basket included

Model No.	Bowl Size D x L x H	Overall Size D x L x H	Weight lbs.
MS-16206	16" x 20" x 6"	20" x 24" x 9"	28
MS-20286	20" x 28" x 6"	25" x 33" x 9"	35

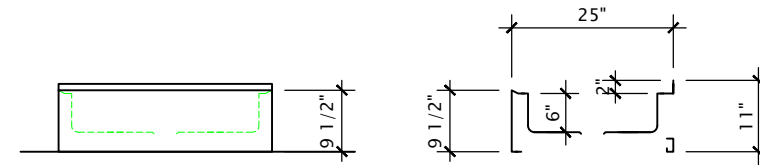
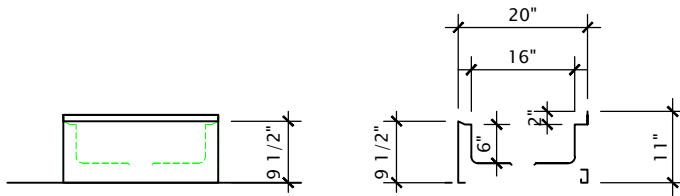
■ 1 1/2" Drain



MS-16206



MS-20286



ASME A112.19.3/CSA B45.4



TARRISON

Corporate Head Office
2780 Coventry Road,
Oakville, Ontario, L6H 6R1
Phone: 905-825-9665
Fax: 905-825-0965
info@tarrison.com
www.tarrison.com

US Distribution Center
150 Gratiot Blvd,
Marysville, MI 48040
info@tarrison.com
www.tarrison.com

US Sales Office
29 Craftsbury Crest,
Essex Junction, VT. 05452
Phone: 802-872-9292
info@tarrison.com
www.tarrison.com