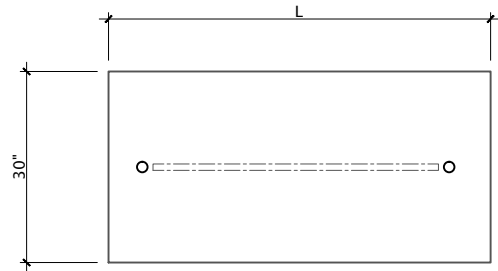


Item No: _____

Model No: _____

Qty: _____

Project: _____

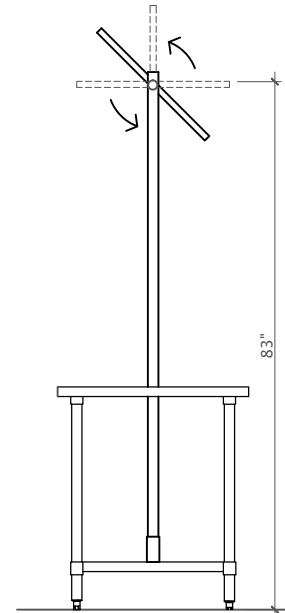
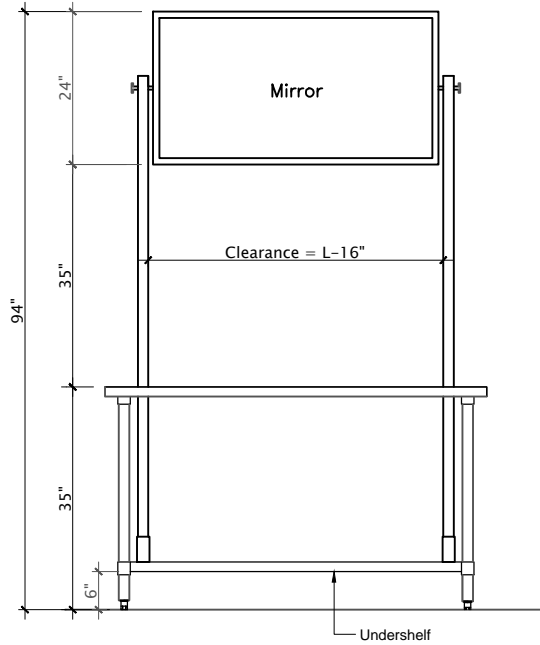


Demo Stations w/Overhead Mirror on Work Table Base

- Heavy Duty stainless steel top
- Galvanized legs and undershelf
- Overhead Mirror System

Model Number	Size D" x L" x H"	Weight lbs.
DT-48	30 x 48 x 35/92	109
DT-60	30 x 60 x 35/92	128
DT-72	30 x 72 x 35/92	145

*Optional swivel casters, stainless steel legs and shelf available upon request.
 Sizes nominal, detailed specifications available upon request.
 Specifications subject to change without notice.



Corporate Head Office
 2780 Coventry Road,
 Oakville, Ontario, L6H 6R1
 Phone: 905-825-9665
 Fax: 905-825-0965
 info@tarrison.com
 www.tarrison.com

US Distribution Center
 150 Gratiot Blvd,
 Marysville, MI 48040
 www.tarrison.com

US Sales Office
 29 Craftsbury Crest,
 Essex Junction, VT. 05452
 Phone: 802-872-9292
 info@tarrison.com
 www.tarrison.com