

Item No: \_\_\_\_\_

Model No: \_\_\_\_\_

Qty: \_\_\_\_\_

Project: \_\_\_\_\_



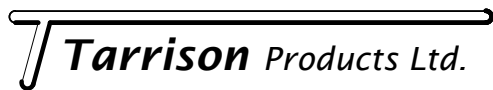
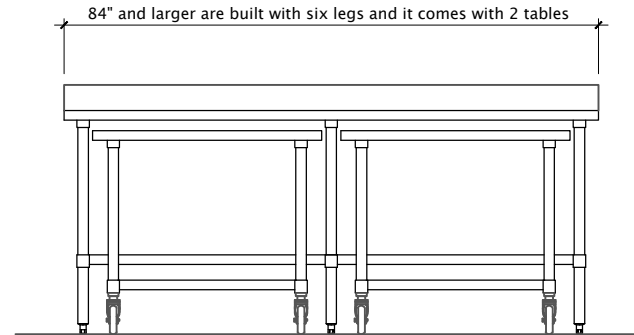
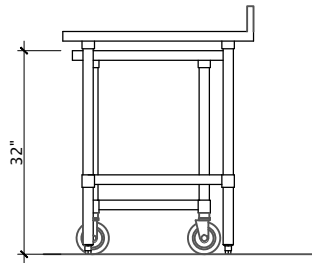
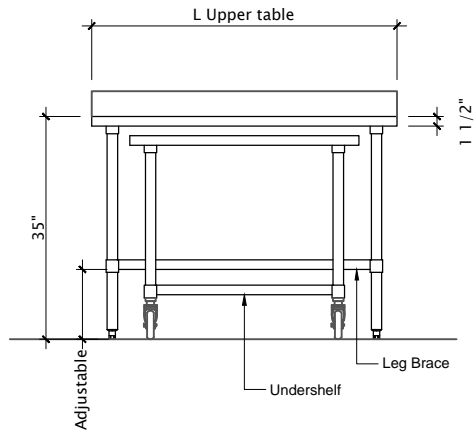
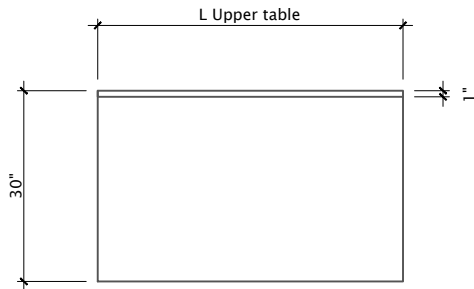
### Nested Work Tables with 4" backsplash

- Heavy duty stainless steel top
- Galvanized legs and undershelf
- 3-sided frame
- Adjustable bullet feet
- 5" casters - 2 with brakes on lower table
- 4" backsplash

Model Number	Upper Table D" x L" x H"	Lower Table D" x L" x H"	Weight lbs.
NT4BS3048-36	30 x 48 x 35/39	24 x 36 x 32	134
NT4BS3060-48	30 x 60 x 35/39	24 x 48 x 32	158
NT4BS3072-60	30 x 72 x 35/39	24 x 60 x 32	185
*NT4BS3084-72	30 x 84 x 35/39	24 x 36(2) x 32	205
*NT4BS3096-72	30 x 96 x 35/39	24 x 36(2) x 32	240

\*Comes with two 24" x 36" x 32" High Tables

Sizes nominal, detailed specifications available upon request.  
Specifications subject to change without notice.



Corporate Head Office  
 2780 Coventry Road,  
 Oakville, Ontario, L6H 6R1  
 Phone: 905-825-9665  
 Fax: 905-825-0965  
 info@tarrison.com  
 www.tarrison.com

US Distribution Center  
 150 Gratiot Blvd,  
 Marysville, MI 48040  
 www.tarrison.com

US Sales Office  
 29 Craftsbury Crest,  
 Essex Junction, VT. 05452  
 Phone: 802-872-9292  
 info@tarrison.com  
 www.tarrison.com