

Item No: _____

Model No: _____

Qty: _____

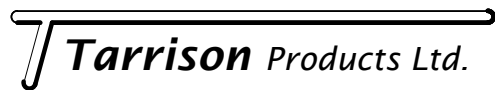
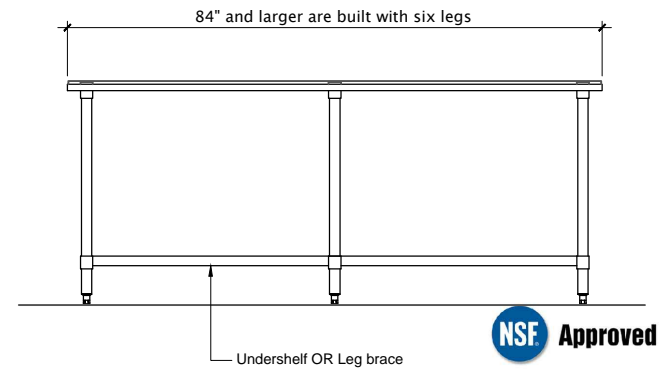
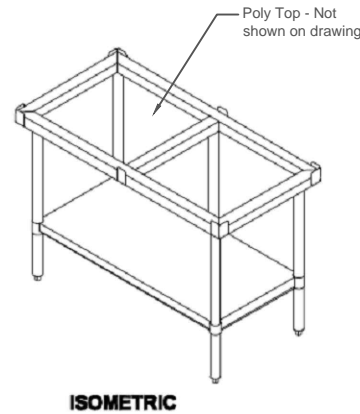
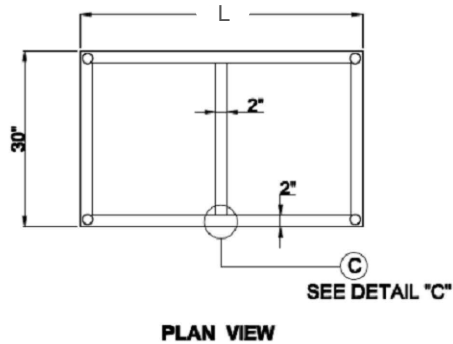
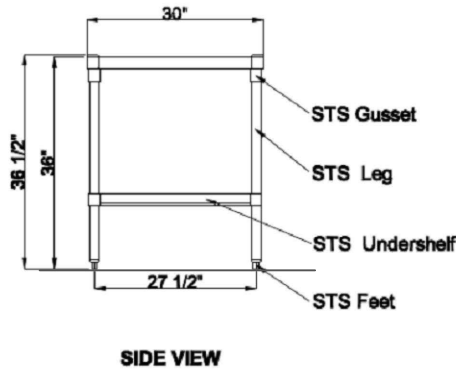
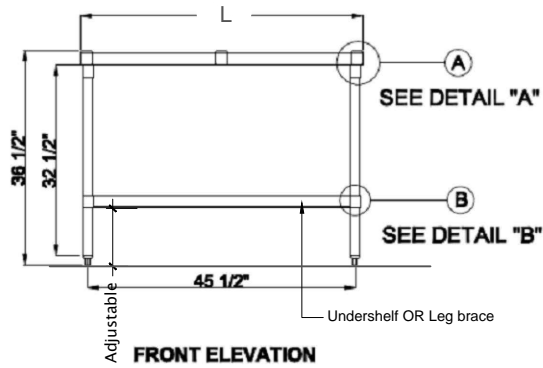
Project: _____

Poly Top Trimming Table

- Heavy duty 18 Gauge stainless steel welded deck
- Poly Top - 3/4" thick, FDA Approved Sanalite
- Stainless steel legs with adjustable bullet feet
- Available with stainless steel undershelf or open base

Model No. with undershelf	Weight lbs.	Model No. (open base)	Weight lbs.	Overall Size D" x L" x H"
PTS-3048	72	PTB-3048	60	30 x 48 x 35
PTS-3060	83	PTB-3060	70	30 x 60 x 35
PTS-3072	92	PTB-3072	80	30 x 72 x 35
PTS-3084	110	PTB-3084	90	30 x 84 x 35
PTS-3096	125	PTB-3096	100	30 x 96 x 35

Sizes nominal, detailed specifications available upon request. Specifications subject to change without notice.



Corporate Head Office
 2780 Coventry Road,
 Oakville, Ontario, L6H 6R1
 Phone: 905-825-9665
 Fax: 905-825-0965
 info@tarrison.com
 www.tarrison.com

US Distribution Center
 150 Gratiot Blvd,
 Marysville, MI 48040
 www.tarrison.com

US Sales Office
 29 Craftsbury Crest,
 Essex Junction, VT. 05452
 Phone: 802-872-9292
 info@tarrison.com
 www.tarrison.com