



SDT60R



PRB2020

Stainless steel perforated pre-rinse basket included as standard equipment.

Item No: _____
 Model No: _____
 Qty: _____
 Project: _____

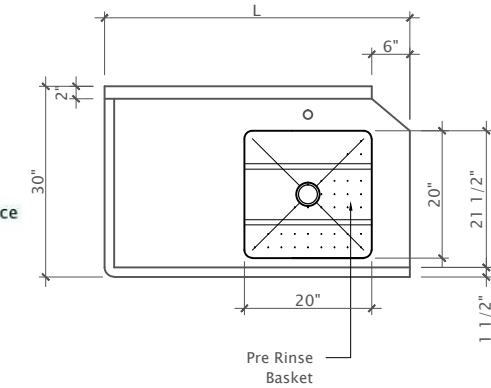
Straight Soiled Dish Table

- Heavy duty stainless steel construction, complete with:
- 7.5" backsplash
- Stainless steel perforated 20" x 20" pre-rinse basket
- Single Deck faucet hole
- Galvanized legs and cross brace and adjustable bullet feet
- Order "L" for table left of dishwasher; order "R" for table right of dishwasher
- Available 14 gauge as special order - add "-14" to item number and add 25% to list price

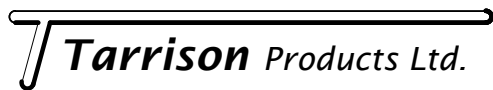
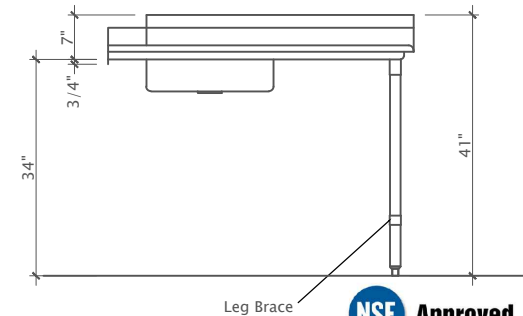
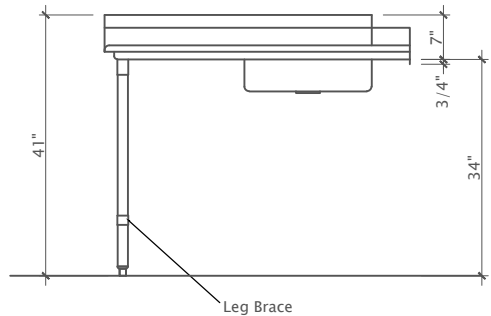
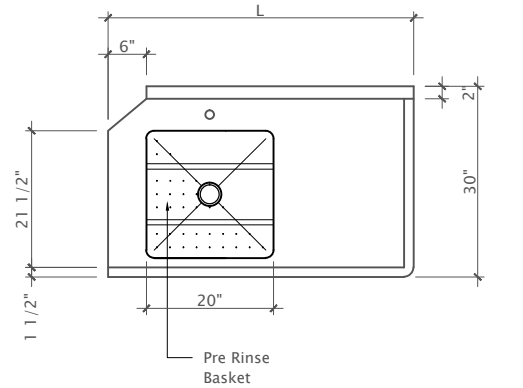
16 Gauge	Weight lbs.	Overall Size D" x L" x H"	Prerinse Bowl Size D" x L" x H"
SDT36L	70	30 x 36 x 35	20 x 20 x 5
SDT36R	70	30 x 36 x 35	20 x 20 x 5
SDT48L	80	30 x 48 x 35	20 x 20 x 5
SDT48R	80	30 x 48 x 35	20 x 20 x 5
SDT60L	85	30 x 60 x 35	20 x 20 x 5
SDT60R	85	30 x 60 x 35	20 x 20 x 5
SDT72L	95	30 x 72 x 35	20 x 20 x 5
SDT72R	95	30 x 72 x 35	20 x 20 x 5
SDT84L	105	30 x 84 x 35	20 x 20 x 5
SDT84R	105	30 x 84 x 35	20 x 20 x 5
SDT96L	120	30 x 96 x 35	20 x 20 x 5
SDT96R	120	30 x 96 x 35	20 x 20 x 5
SDT108L	130	30 x 108 x 35	20 x 20 x 5
SDT108R	130	30 x 108 x 35	20 x 20 x 5
SDT120L	145	30 x 120 x 35	20 x 20 x 5
SDT120R	145	30 x 120 x 35	20 x 20 x 5
SDT132L	160	30 x 132 x 35	20 x 20 x 5
SDT132R	160	30 x 132 x 35	20 x 20 x 5
SDT144L	175	30 x 144 x 35	20 x 20 x 5
SDT144R	175	30 x 144 x 35	20 x 20 x 5

Optional Stainless Steel Legs and Undershell available, see page 18

SOILED LEFT



SOILED RIGHT



Corporate Head Office
 2780 Coventry Road,
 Oakville, Ontario, L6H 6R1
 Phone: 905-825-9665
 Fax: 905-825-0965
 info@tarrison.com
 www.tarrison.com

US Distribution Center
 150 Gratiot Blvd,
 Marysville, MI 48040
 www.tarrison.com

US Sales Office
 29 Craftsbury Crest,
 Essex Junction, VT. 05452
 Phone: 802-872-9292
 info@tarrison.com
 www.tarrison.com