

Item No: _____

Model No: _____

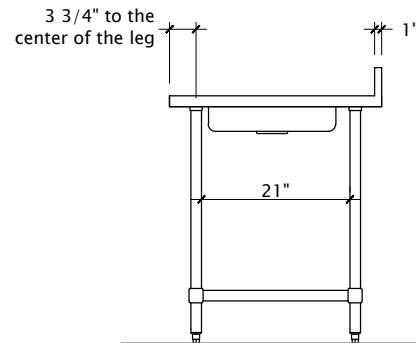
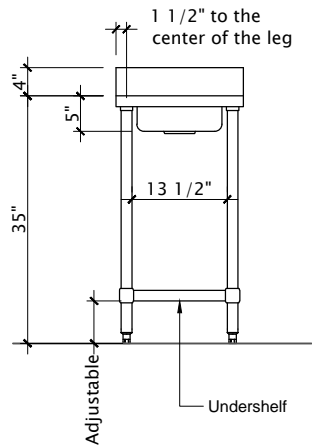
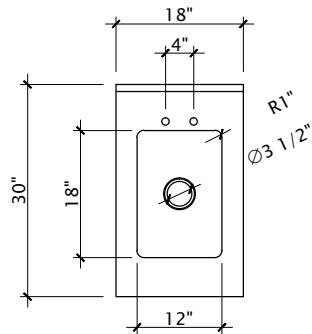
Qty: _____

Project: _____

4" Backsplash Work Tables

- Heavy Duty stainless steel top
- Galvanized or stainless steel legs and undershelf
- Four inch backsplash
- Adjustable bullet feet
- Working height 35" add 4" for overall height

Model No. with galvanized legs & undershelf	Model No. with stainless steel legs & undershelf	Size D" x L" x H"	Weight lbs.
WT4BS-18WS W/5" deep sink	SWT4BS-18WS W/5" deep sink	30 x 18 x 35	48
Also available open base model. Add suffix LB3S., see page 23			
Sizes nominal, detailed specifications available upon request. Specifications subject to change without notice.			



WT4BS-18WS

