

Item No: _____
 Model No: _____
 Qty: _____
 Project: _____



WT4BS-3048



Open base model

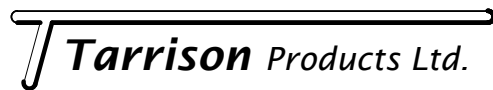
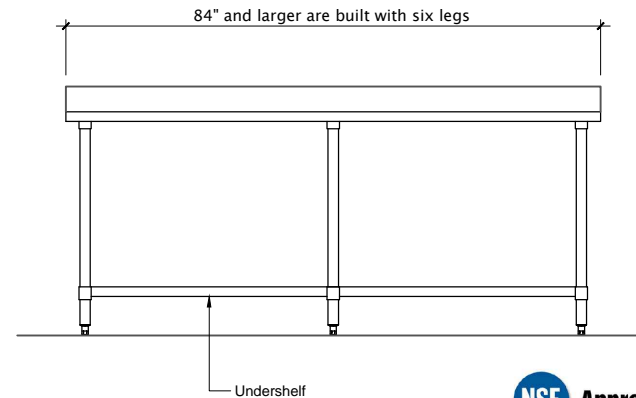
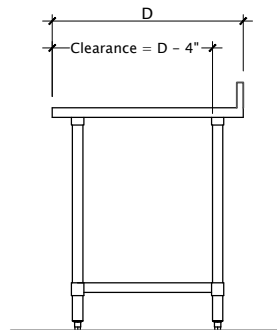
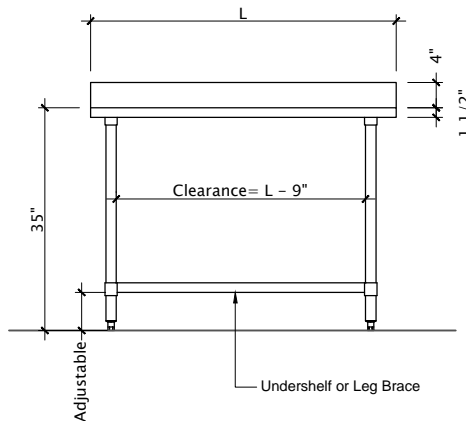
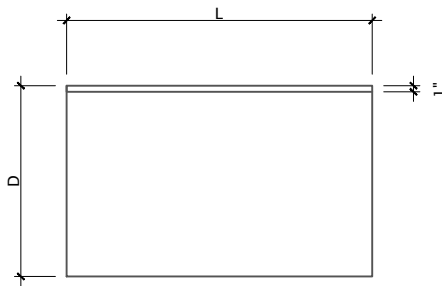
4" Backsplash Work Tables

- Heavy Duty stainless steel top
- Galvanized or stainless steel legs and undershelf
- Four inch backsplash
- Adjustable bullet feet
- Working height 35" add 4" for overall height

| Model No. with galvanized legs & undershelf | Model No. with stainless steel legs & undershelf | Size D" x L" x H" | Weight lbs. |
|---|--|-------------------|-------------|
| WT4BS-2424 | SWT4B-2424 | 24 x 24 x 35 | 45 |
| WT4BS-2430 | SWT4B-2430 | 24 x 30 x 35 | 52 |
| WT4BS-2436 | SWT4B-2436 | 24 x 36 x 35 | 58 |
| WT4BS-2448 | SWT4B-2448 | 24 x 48 x 35 | 65 |
| WT4BS-2460 | SWT4B-2460 | 24 x 60 x 35 | 80 |
| WT4BS-2472 | SWT4B-2472 | 24 x 72 x 35 | 94 |
| WT4BS-2484 | SWT4B-2484 | 24 x 84 x 35 | 104 |
| WT4BS-2496 | SWT4B-2496 | 24 x 96 x 35 | 110 |
| WT4BS-3018 | SWT4B-3018 | 30 x 18 x 35 | 35 |
| WT4BS-3030 | SWT4B-3030 | 30 x 30 x 35 | 50 |
| WT4BS-3036 | SWT4B-3036 | 30 x 36 x 35 | 57 |
| WT4BS-3048 | SWT4B-3048 | 30 x 48 x 35 | 69 |
| WT4BS-3060 | SWT4B-3060 | 30 x 60 x 35 | 83 |
| WT4BS-3072 | SWT4B-3072 | 30 x 72 x 35 | 95 |
| WT4BS-3084 | SWT4B-3084 | 30 x 84 x 35 | 105 |
| WT4BS-3096 | SWT4B-3096 | 30 x 96 x 35 | 110 |

Also available open base model. Add suffix LB3S., see page 23

Sizes nominal, detailed specifications available upon request. Specifications subject to change without notice.



Corporate Head Office
 2780 Coventry Road,
 Oakville, Ontario, L6H 6R1
 Phone: 905-825-9665
 Fax: 905-825-0965
 info@tarrison.com
 www.tarrison.com

US Distribution Center
 150 Gratiot Blvd,
 Marysville, MI 48040
 www.tarrison.com

US Sales Office
 29 Craftsbury Crest,
 Essex Junction, VT. 05452
 Phone: 802-872-9292
 info@tarrison.com
 www.tarrison.com