

Item No: _____

Model No: _____

Qty: _____

Project: _____

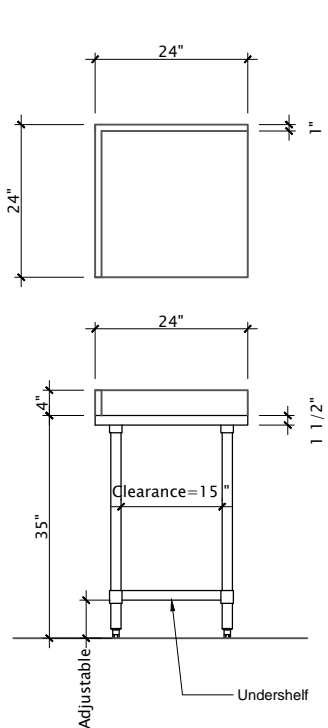
Corner Work Tables with Backsplash

- Heavy duty stainless steel top
- Galvanized legs and undershelf
- 4" backsplash on two sides
- Adjustable bullet feet

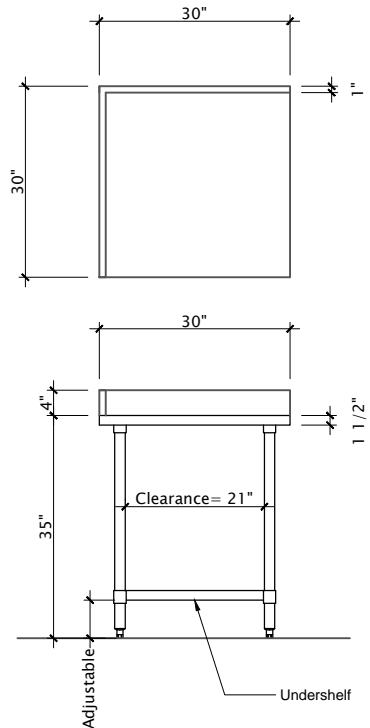
| Model Number | Size D" x L" x H" | Weight lbs. |
|--------------|-------------------|-------------|
| WTCB2424 | 24 x 24 x 35 | 45 |
| WTCB3030 | 30 x 30 x 35 | 55 |

Sizes nominal, detailed specifications available upon request.
Specifications subject to change without notice.

WTCB2424



WTCB3030



Corporate Head Office
 2780 Coventry Road,
 Oakville, Ontario, L6H 6R1
 Phone: 905-825-9665
 Fax: 905-825-0965
 info@tarrison.com
 www.tarrison.com

US Distribution Center
 150 Gratiot Blvd,
 Marysville, MI 48040
 www.tarrison.com

US Sales Office
 29 Craftsbury Crest,
 Essex Junction, VT. 05452
 Phone: 802-872-9292
 info@tarrison.com
 www.tarrison.com