



T&S BRASS AND BRONZE WORKS, INC.
 2 SADDLEBACK COVE / P.O. BOX 1088 / TRAVELERS REST, SC 29690
 PHONE 800-476-4103 FAX 864- 834-3518



Sales No.

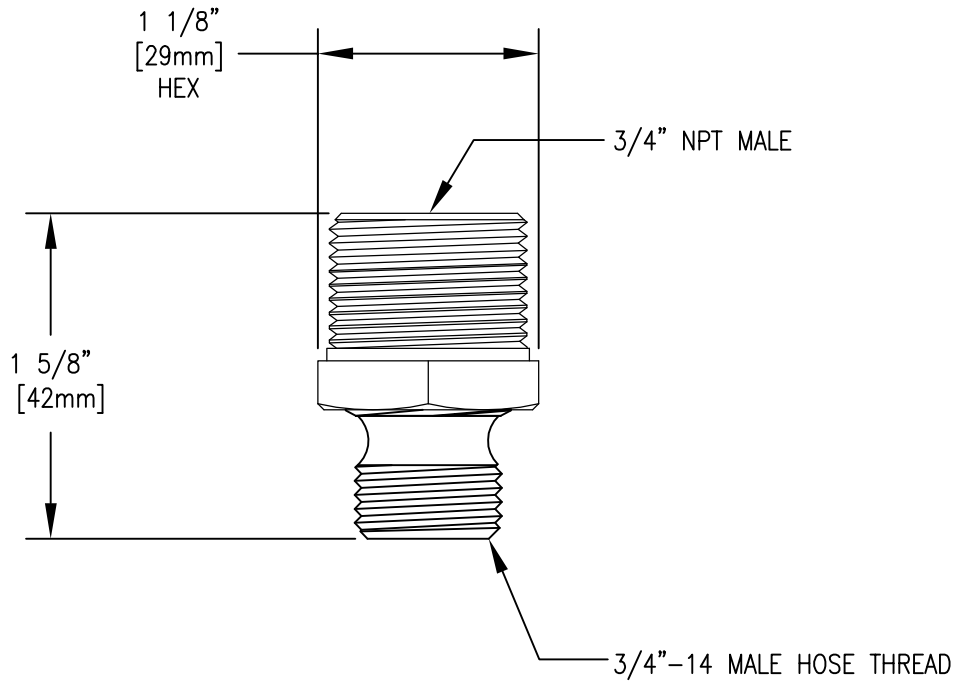
057A

Item No.:

Job Name:

Architect/Engineer Approval:

Notes:



Product Description:

3/4-14 MALE HOSE x 3/4" NPT MALE ADAPTER

Drawn:

WJS

Approved

MVW

Checked

JKD

Scale:

1 : 1

Date:

2/1/00