



T&S BRASS AND BRONZE WORKS, INC.

2 Saddleback Cove / P.O. Box 1088
Travelers Rest, SC 29690



REG. #A2601
ISO #9001

Model No.

B-1115

Item No.

Travelers Rest, SC: 800-476-4103 Simi Valley, CA: 800-423-0150 Fax: 864-834-3518 www.tsbrass.com

This Space for Architect/Engineer Approval

Job Name _____ Date _____

Model Specified _____ Quantity _____

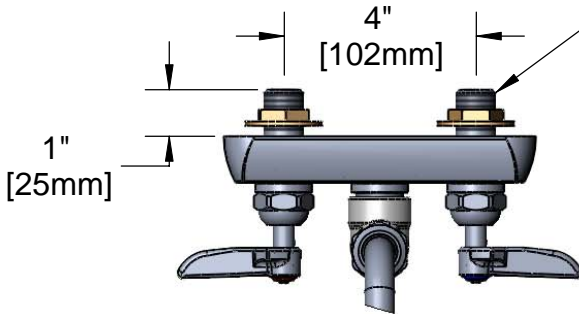
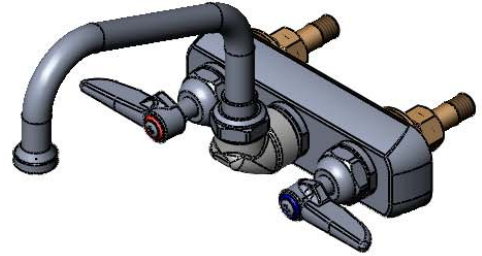
Customer/Wholesaler _____

Contractor _____

Architect/Engineer _____



ADA Compliant



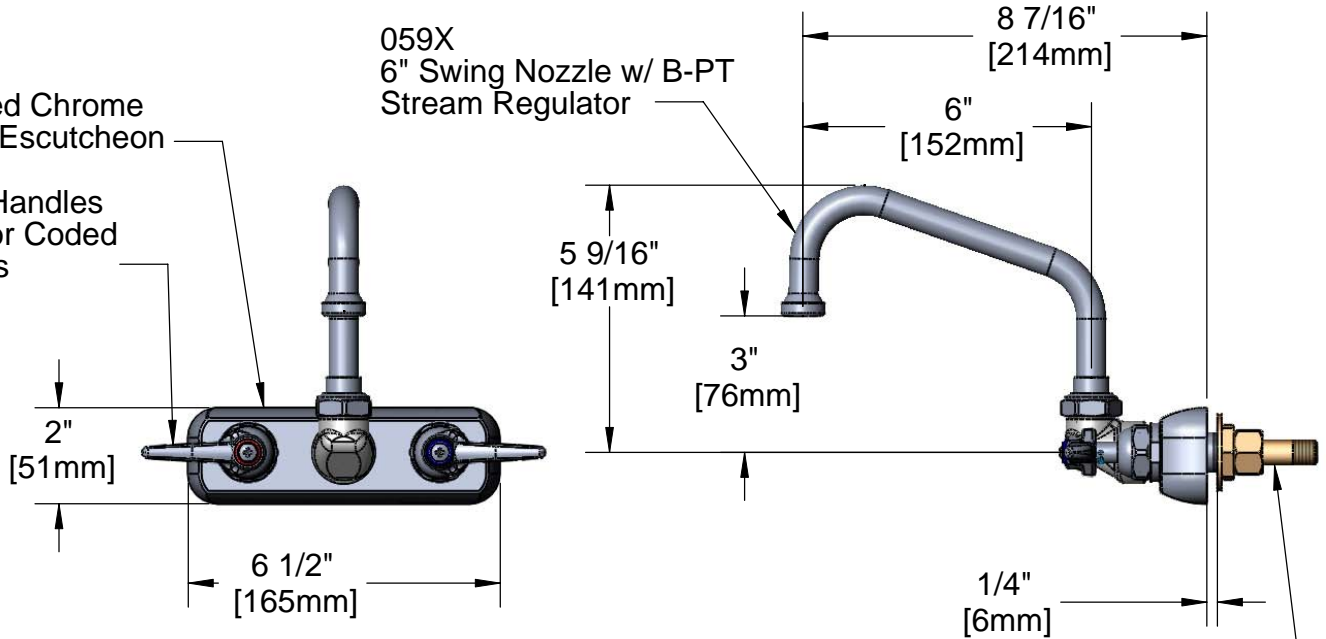
1/2" NPT Male Shanks
(Requires ϕ 1" [ϕ 25mm] Cutouts).
Tailpieces Not Shown in This View

B-1100-K Elbow Kit Sold Separately. Contains (2) 1/2" NPT Male 90° Elbows

Polished Chrome Plated Escutcheon

Lever Handles w/ Color Coded Indexes

059X
6" Swing Nozzle w/ B-PT Stream Regulator



150A
Tailpiece and Nut
Furnished for 1/4" NPT
Connection

Product Specifications:

4" Inlet Centers Wall Mount Workboard Faucet w/ Lever Handles, 6" Swing Nozzle Assembly, B-PT Stream Regulator & 1/2" NPT Male Shanks

Drawn
KJG

Checked
DHL

Approved
JHB

Scale:

1:4

Date:

09/29/08



T&S BRASS AND BRONZE WORKS, INC.

2 Saddleback Cove / P.O. Box 1088
Travelers Rest, SC 29690



REG. #A2601
ISO #9001

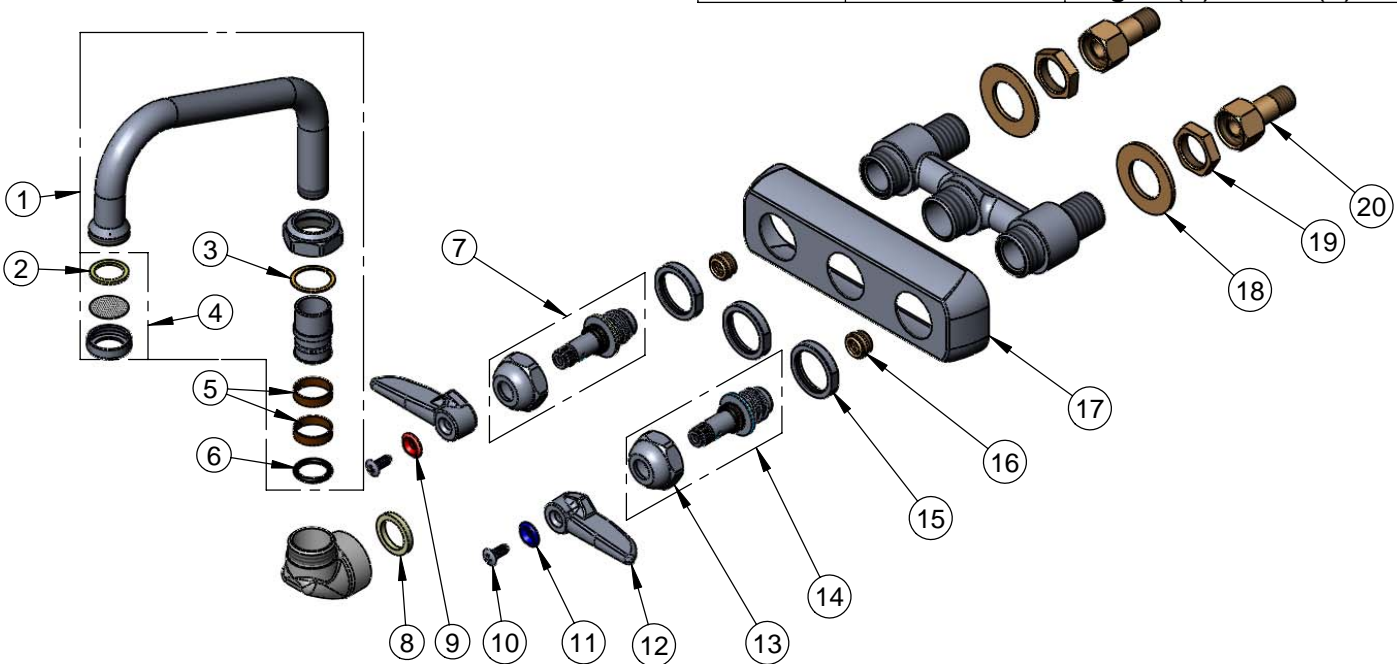
Model No.

B-1115

Item No.

Travelers Rest, SC: 800-476-4103 Simi Valley, CA: 800-423-0150 Fax: 864-834-3518 www.tsbrass.com

ITEM NO.	SALES NO.	DESCRIPTION
1	059X	6" Swing Nozzle
2	001048-45	Nozzle Tip Washer
3	009538-45	Swivel Washer
4	B-PT	Stream Regulator
5	011429-45	Swivel Sleeve (2)
6	001074-45	O-Ring
7	009753-25	B-1100 RH Spindle Assembly
8	001017-45	Washer
9	001661-45	Red Index-HW
10	000922-45	Lever Handle Screw
11	001660-45	Blue Index-CW
12	001638-45	Lever Handle
13	009749-25	Bonnet Nut
14	009754-25	B-1100 LH Spindle Assembly
15	000712-25	Escutcheon Lock Nut
16	000763-20	Seat
17	001258-40	Escutcheon
18	000999-45	Brass Lock Washer
19	002954-45	Shank Lock Nut
20	150A	Bag of (1) Nut & (1) Tailpiece



Product Specifications:

4" Inlet Centers Wall Mount Workboard Faucet w/ Lever Handles, 6" Swing Nozzle Assembly, B-PT Stream Regulator & 1/2" NPT Male Shanks

Drawn KJG	Checked DHL	Approved JHB
Scale: NTS		Date: 09/29/08