



T&S BRASS AND BRONZE WORKS, INC.

2 Saddleback Cove / P.O. Box 1088
Travelers Rest, SC 29690



REG. #A2601
ISO #9001

Model No.

B-1146-WS

Item No.

Travelers Rest, SC: 800-476-4103 • Simi Valley, CA: 800-423-0150 • Fax: 864-834-3518 • www.tsbrass.com

This Space for Architect/Engineer Approval

Job Name _____ Date _____

Model Specified _____ Quantity _____

Customer/Wholesaler _____

Contractor _____

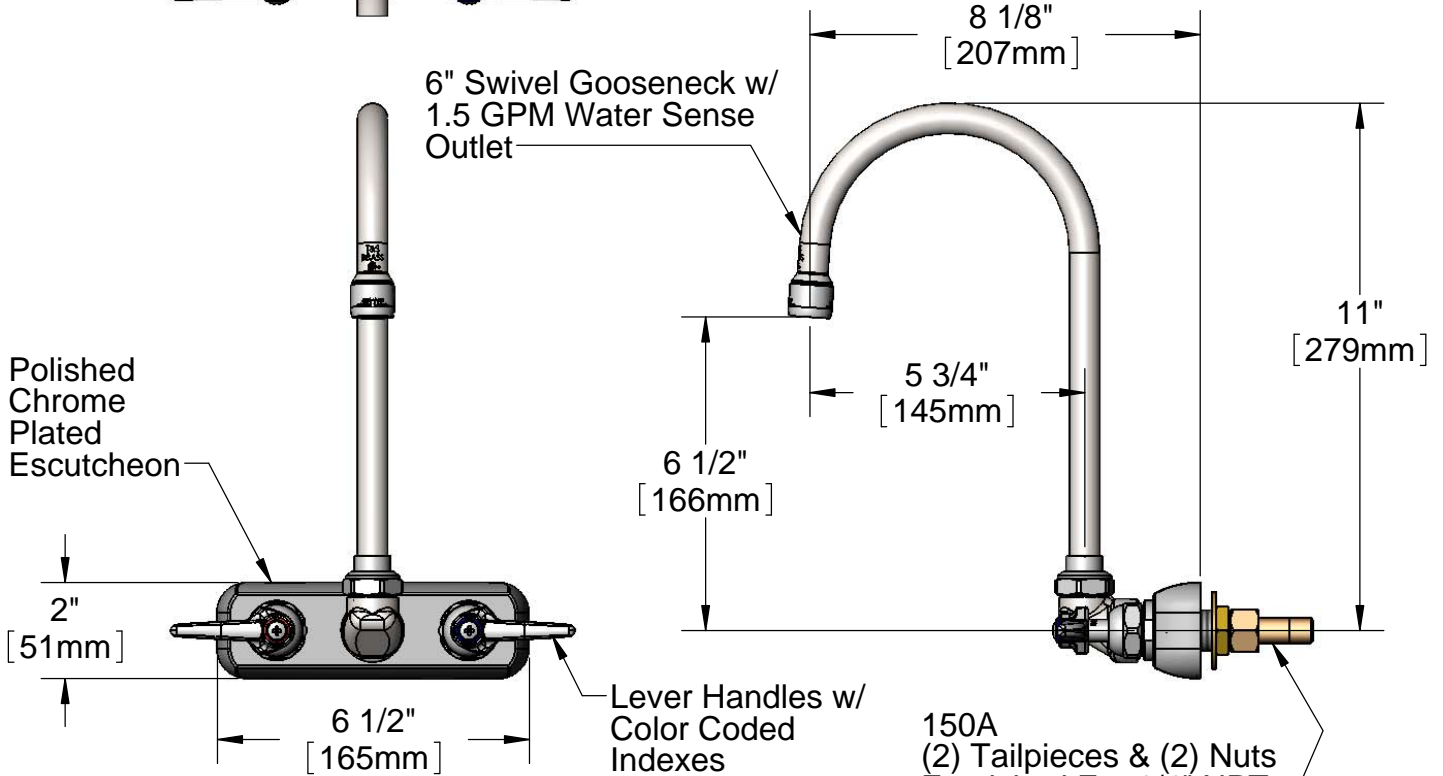
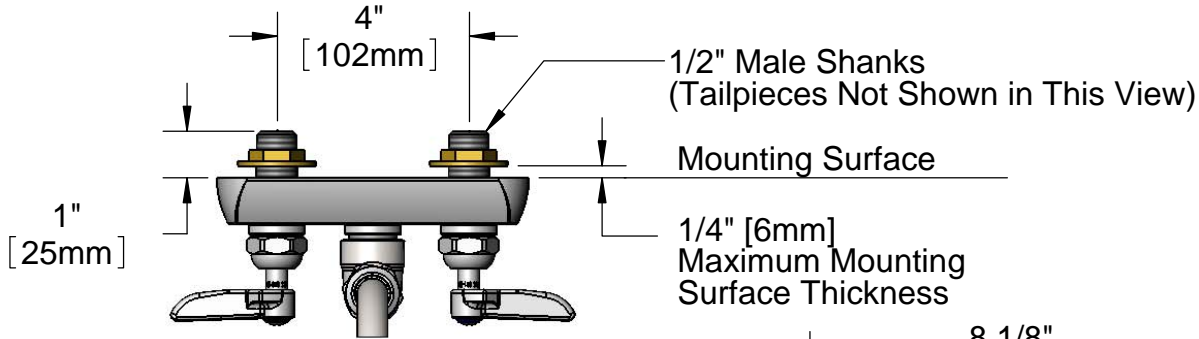
Architect/Engineer _____



ADA Compliant



B-1100-K Elbow Kit Sold Separately. Contains (2) 1/2" NPT Male 90° Elbows



Note: Rough-In Requirement
(2) Ø 1" [25mm] Mounting Holes

Product Specifications:

4" Inlet Centers, Wall Mount Workboard Faucet w/ Lever Handles, Swivel Gooseneck w/ 1.5 GPM Water Sense Outlet & 1/2" NPT Male Shanks

Drawn

DHL

Checked

JRM

Approved

JHB

Scale:

1:4

Date:

05/31/11



T&S BRASS AND BRONZE WORKS, INC.

2 Saddleback Cove / P.O. Box 1088
Travelers Rest, SC 29690



REG. #A2601
ISO #9001

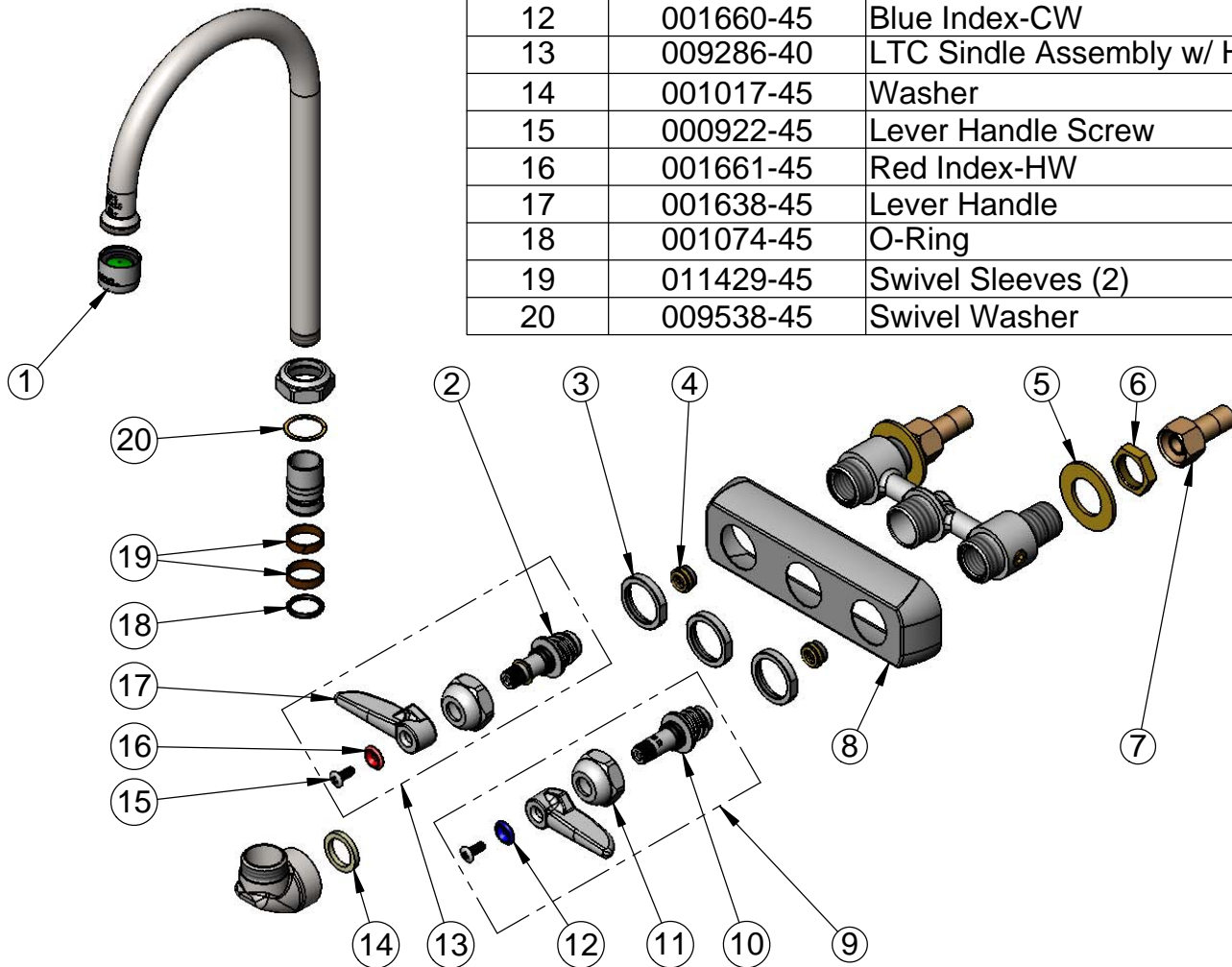
Model No.

B-1146-WS

Item No.

Travelers Rest, SC: 800-476-4103 • Simi Valley, CA: 800-423-0150 • Fax: 864-834-3518 • www.tsbrass.com

ITEM NO.	SALES NO.	DESCRIPTION
1	B-0199-01-WS	1.5 GPM Aerator, 55/64-27 Female
2	009754-25	LTC Thread Spindle Assembly
3	000712-25	Escutcheon Lock Nut
4	000763-20	Seat
5	000999-45	Brass Lock Washer
6	002954-45	Shank Lock Nut
7	150A	Bag of (1) Nut & (1) Tailpiece
8	001258-40	Escutcheon
9	009287-40	RTC Spindle Assembly w/ Handle
10	009753-25	RTC Thread Spindle Assembly
11	009749-25	Bonnet Nut
12	001660-45	Blue Index-CW
13	009286-40	LTC Sindle Assembly w/ Handle
14	001017-45	Washer
15	000922-45	Lever Handle Screw
16	001661-45	Red Index-HW
17	001638-45	Lever Handle
18	001074-45	O-Ring
19	011429-45	Swivel Sleeves (2)
20	009538-45	Swivel Washer



Product Specifications:

4" Inlet Centers, Wall Mount Workboard Faucet w/ Lever Handles,
Swivel Gooseneck w/ 1.5 GPM Water Sense Outlet & 1/2" NPT
Male Shanks

Drawn

DHL

Checked

JRM

Approved

JHB

Scale:

NTS

Date:

05/31/11