

## AC - Accessory Cabinet

### SPECIFICATION:

**AC Model** Accessory Cabinets are constructed of heavy duty non-magnetic type 304 stainless steel with a polished finished. Shelves have a solid flanged front and are adjustable. All accessories and options are stainless steel and the unit is NSF approved.

Mirrored Cabinet featured has a mirrored door and shelves inside for storage. This cabinet can be used at sinks or for accessories in kitchens, bathrooms, schools, etc. Standard cabinet has no mirror.

### PRODUCT GUIDE:

IMC Accessory Cabinets are designed for sanitary, carefree use. The cabinet mounts directly on the wall and is particularly suitable to store small accessories and secure items in an easily accessible lockable location.

Mirrored doors allow kitchen personnel to ensure sanitary appearance/attire during food handling.

A lock box attachment provides a separate location for CHEF'S secure accessories.

Rugged stainless steel construction, engineered for high volume use and years of service.

### OPTIONS:

- Mirrored Doors
- Custom Sizes
- Single or Double Doors
- Sliding Doors
- Locks
- Lockable under box

AC shown here with optional (ACMRD) Mirrored Door



\*Price Page 72

Specifications subject to change without notice.



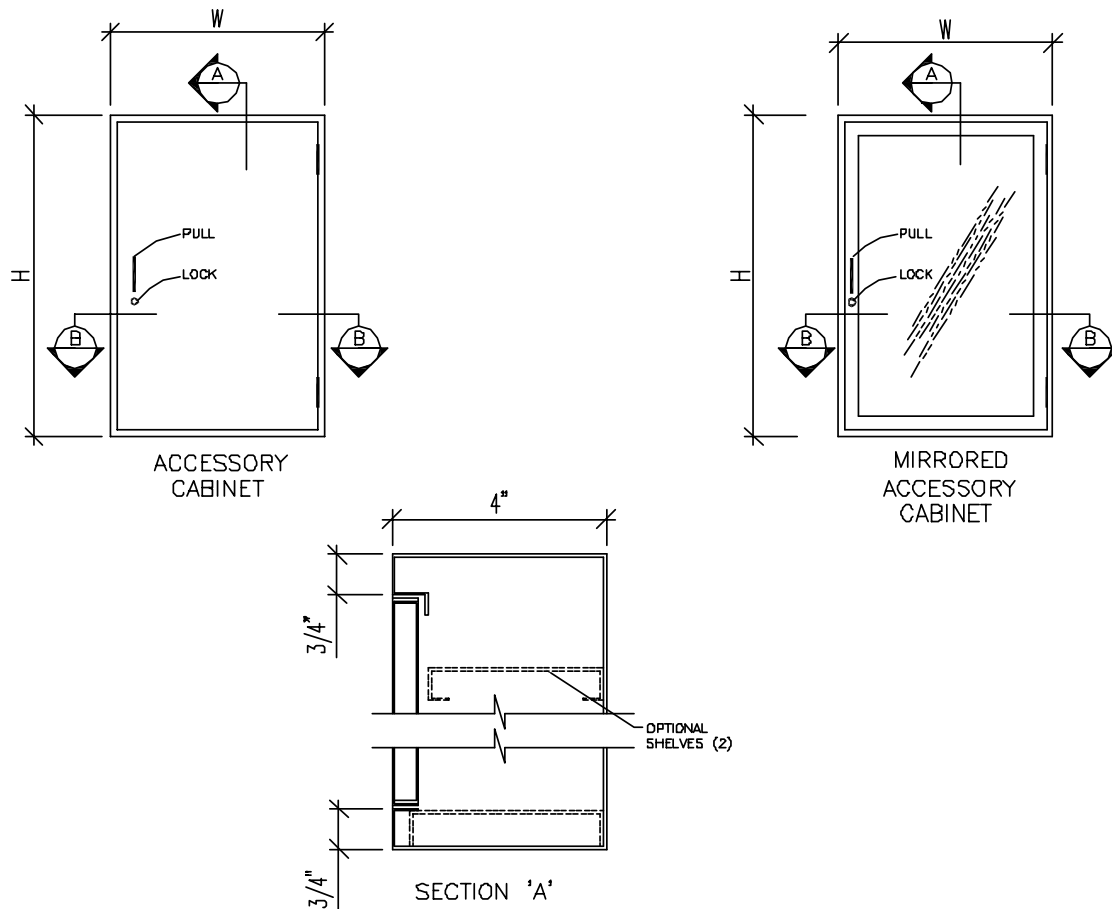
P.O. Box 206  
Copiague, NY 11726-0206

800-221-5644/631-789-8881  
Fax: 631-789-3633

[www.imcteddy.com](http://www.imcteddy.com)

AC-30 1007

# AC - Accessory Cabinet



## ACCESSORY CABINET STANDARD DEPTH/DESIGN

MODEL NUMBER	SIZE (W x H)	METRIC	WEIGHT
AC-1826	18" x 26"	457 x 660	50
AC-1836	18" x 36"	457 x 914	68
AC-1842	18" x 42"	457 x 1067	80
AC-2426	24" x 26"	610 x 660	65
AC-2436	24" x 36"	610 x 914	80
AC-2442	24" x 42"	610 x 1067	90
AC-3026	30" x 26"	762 x 660	80
AC-3036	30" x 36"	762 x 914	95
AC-3042	30" x 42"	762 x 1067	110

\*See Price book page 72 for options.

Specifications subject to change without notice.



P.O. Box 206  
Copiague, NY 11726-0206

800-221-5644/631-789-8881  
Fax: 631-789-3633

www.imcteddy.com

AC-30 1007