

FT Floor Troughs Standard Design

SPECIFICATION:

FT Model Floor Troughs are 14-gauge type 304 stainless steel, with large integral coves and pitched 1/4" per foot to a 6 1/2" OD waste outlet with 4" OD tailpiece. Perforated waste basket provided at each drain. Anchor straps welded to the sides secure trough to the floor.

Recessed flange and 1" deep ledge for IMC grating are integral with the unit. Trough is 4" deep overall.

Joints are TIG welded and leak-proof. Exposed surfaces finished brush satin.

PRODUCT GUIDE:

Use for Institutional and Public Buildings or large food prep facilities.

Integral coves, deep pitch and a large waste cup, assure quick and complete drainage.

Recessed flange supports floor tile and provides a grout pocket.

Setting frame for waterproof membrane and/or integral seepage flange with "weep" holes can be added for wet floor areas.

Extension arms and intersections available for multiple equipment layout.

OPTIONS:

- 12-gauge stainless steel
- Scrap collection tray
- Use with any style IMC trough grating
- Custom designs, sizes and waste location.
- Optional wastes and locations
- Seepage flange and "weep" holes.
- See Price Book for other options.
- Standard and stock sizes fit most applications.



*Price page 34

Specifications subject to change without notice.



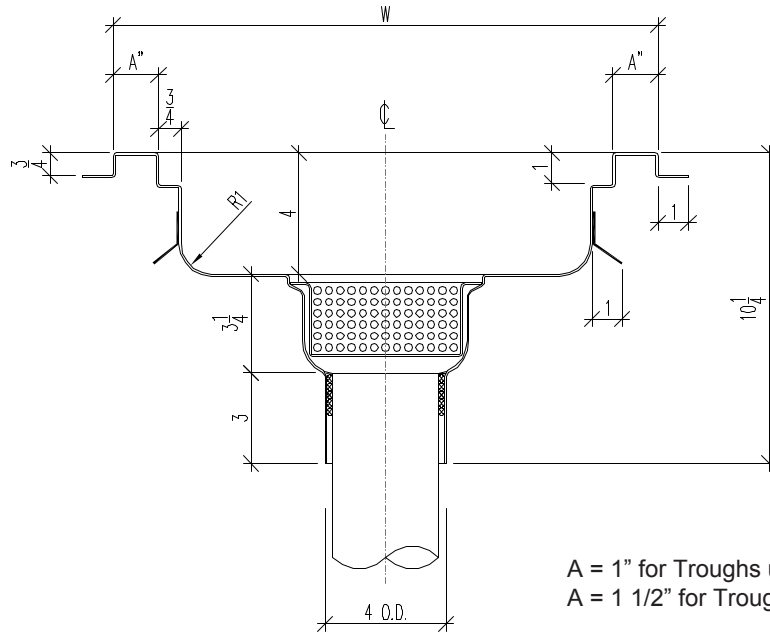
P.O. Box 206
Copioague, NY 11726-0206

800-221-5644/631-789-8881
Fax: 631-789-3633

www.imcteddy.com

FT-30 1007

FT Floor Troughs Standard Design



FLOOR TROUGHS, STANDARD DESIGN - 4" Deep

MODEL	SIZE (W x L)	METRIC	WEIGHT	MODEL	SIZE (W x L)	METRIC	WEIGHT
FT-1224	12" x 24"	305 x 610	16	FT-2424	24" x 24"	610 x 610	28
FT-1236	12" x 36"	305 x 914	24	FT-2436	24" x 36"	610 x 914	42
FT-1248	12" x 48"	305 x 1219	32	FT-2448	24" x 48"	610 x 1219	56
FT-1260	12" x 60"	305 x 1524	40	FT-2460	24" x 60"	610 x 1524	70
FT-1272	12" x 72"	305 x 1829	48	FT-2472	24" x 72"	610 x 1829	84
FT-1284	12" x 84"	305 x 2134	56	FT-2484	24" x 84"	610 x 2134	98
FT-1296	12" x 96"	305 x 2438	64	FT-2496	24" x 96"	610 x 2438	112
FT-12108	12" x 108"	305 x 2743	72	FT-24108	24" x 108"	610 x 2743	126
FT-12120	12" x 120"	305 x 3048	80	FT-24120	24" x 120"	610 x 3048	140
FT-1824	18" x 24"	458 x 610	20	FT-3024	30" x 24"	762 x 610	42
FT-1836	18" x 36"	458 x 914	30	FT-3036	30" x 36"	762 x 914	63
FT-1848	18" x 48"	458 x 1219	40	FT-3048	30" x 48"	762 x 1219	84
FT-1860	18" x 60"	458 x 1524	50	FT-3060	30" x 60"	762 x 1524	105
FT-1872	18" x 72"	458 x 1829	60	FT-3072	30" x 72"	762 x 1829	126
FT-1884	18" x 84"	458 x 2134	70	FT-3084	30" x 84"	762 x 2134	147
FT-1896	18" x 96"	458 x 2438	80	FT-3096	30" x 96"	762 x 2438	168
FT-18108	18" x 108"	458 x 2743	90	FT-30108	30" x 108"	762 x 2743	189
FT-18120	18" x 120"	458 x 3048	100	FT-30120	30" x 120"	762 x 3048	210

Note - Standard troughs up to 96" have one (1) waste at center. Over 96", troughs have two (2) wastes equidistant.

*See Price book page 34, 38, 42, 46, 52, 54, 56-59 for additional sizes and options.

Specifications subject to change without notice.



P.O. Box 206
Copiague, NY 11726-0206

800-221-5644/631-789-8881
Fax: 631-789-3633

www.imcteddy.com

FT-30 1007