

## SFT Floor Troughs Shallow Design

### SPECIFICATION:

**SFT Model** Shallow Floor Troughs are 14-gauge type 304 stainless steel, with large integral coves and pitched 1/4" per foot to a 6 1/2" OD waste outlet with 4" OD tailpiece. Perforated waste basket provided at each drain. Anchor straps welded to the sides secure trough to the floor.

Recessed flange and 1" deep ledge for IMC grating are integral with the unit. Trough is 2" deep overall.

Joints are TIG welded and leak-proof. Exposed surfaces finished brush satin.

### PRODUCT GUIDE:

Use for food prep facilities where floor thickness limits trough depth to 2".

Integral coves, deep pitch and a large waste cup, assure quick and complete drainage.

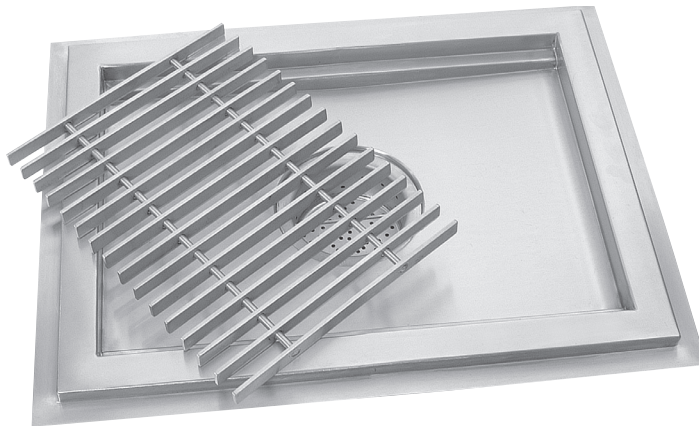
Recessed flange supports floor tile and provides a grout pocket.

Setting frame for waterproof membrane and/or integral seepage flange with "weep" holes can be added for wet floor areas.

Extension arms and intersections available for multiple equipment layout.

### OPTIONS:

- Scrap collection tray
- Use with any style IMC trough grating
- Custom designs, sizes and waste location
- Optional wastes and locations
- Seepage flange and "weep" holes
- See Price Book for other options
- Standard and stock sizes fit most applications



\*Price page 36

Specifications subject to change without notice.



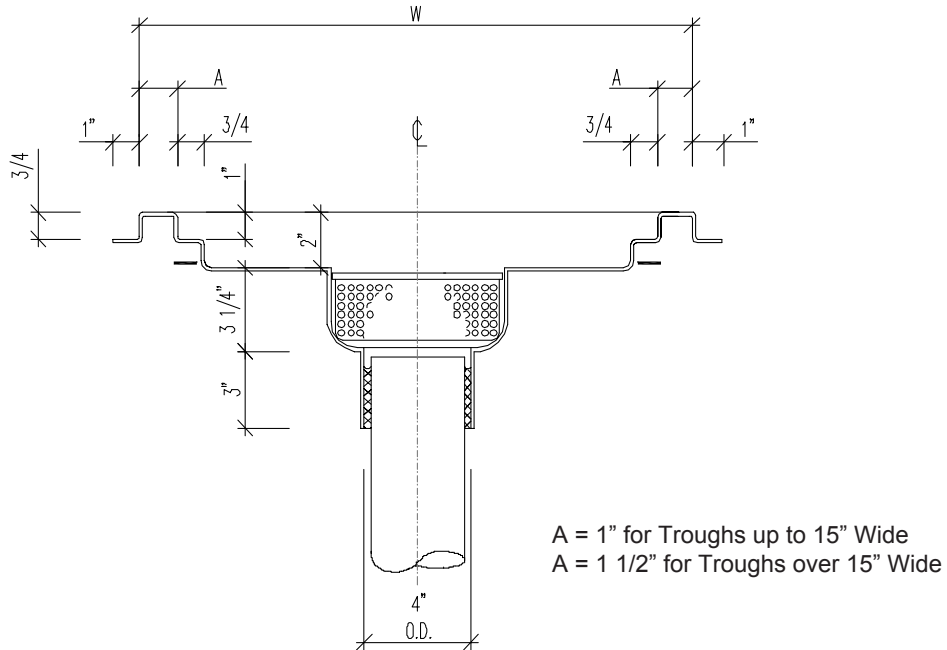
P.O. Box 206  
Copiague, NY 11726-0206

800-221-5644/631-789-8881  
Fax: 631-789-3633

[www.imcteddy.com](http://www.imcteddy.com)

SFT-30 1007

# SFT Floor Troughs Shallow Design



## FLOOR TROUGHS SHALLOW DESIGN - 2" Deep

MODEL	SIZE (W x L)	METRIC	WEIGHT	MODEL	SIZE (W x L)	METRIC	WEIGHT
SFT-1224	12" x 24"	305 x 610	14	SFT-2424	24" x 24"	610 x 610	26
SFT-1236	12" x 36"	305 x 914	21	SFT-2436	24" x 36"	610 x 914	39
SFT-1248	12" x 48"	305 x 1219	28	SFT-2448	24" x 48"	610 x 1219	52
SFT-1260	12" x 60"	305 x 1524	35	SFT-2460	24" x 60"	610 x 1524	65
SFT-1272	12" x 72"	305 x 1829	42	SFT-2472	24" x 72"	610 x 1829	78
SFT-1284	12" x 84"	305 x 2134	49	SFT-2484	24" x 84"	610 x 2134	91
SFT-1296	12" x 96"	305 x 2438	56	SFT-2496	24" x 96"	610 x 2438	104
SFT-12108	12" x 108"	305 x 2743	63	SFT-24108	24" x 108"	610 x 2743	117
SFT-12120	12" x 120"	305 x 3048	70	SFT-24120	24" x 120"	610 x 3048	130
SFT-1824	18" x 24"	458 x 610	18	SFT-3024	30" x 24"	762 x 610	34
SFT-1836	18" x 36"	458 x 914	27	SFT-3036	30" x 36"	762 x 914	51
SFT-1848	18" x 48"	458 x 1219	36	SFT-3048	30" x 48"	762 x 1219	68
SFT-1860	18" x 60"	458 x 1524	45	SFT-3060	30" x 60"	762 x 1524	85
SFT-1872	18" x 72"	458 x 1829	54	SFT-3072	30" x 72"	762 x 1829	102
SFT-1884	18" x 84"	458 x 2134	63	SFT-3084	30" x 84"	762 x 2134	119
SFT-1896	18" x 96"	458 x 2438	72	SFT-3096	30" x 96"	762 x 2438	136
SFT-18108	18" x 108"	458 x 2743	81	SFT-30108	30" x 108"	762 x 2743	153
SFT-18120	18" x 120"	458 x 3048	90	SFT-30120	30" x 120"	762 x 3048	170

Note - Standard troughs up to 96" have one (1) waste at center. Over 96", troughs have two (2) wastes equidistant.

\*See Price book pages 36, 40, 44, 48, 53 & 55-59 for additional sizes and options.

Specifications subject to change without notice.



P.O. Box 206  
Copiague, NY 11726-0206

800-221-5644/631-789-8881  
Fax: 631-789-3633

www.imcteddy.com

SFT-30 1007