

## SG Subway Grating Standard Design

### SPECIFICATION:

**SG Model** Subway Gratings are constructed of 1" x 3/16" type 304 stainless steel bar stock, set in vertical position with open top and bottom, through-connected by two (2) 1/2" type 304 stainless steel rods, inset 3" from each end, Helic arc welded to each bar with 13/16" clearance between each bar, up to 15" in width, three (3) are provided on widths over 15", the third one centered.

Gratings are sized up to 20" long to allow cleaning in a dishwashing machine. SGAS Model is machine serrated to provide an anti-slip surface.

### PRODUCT GUIDE:

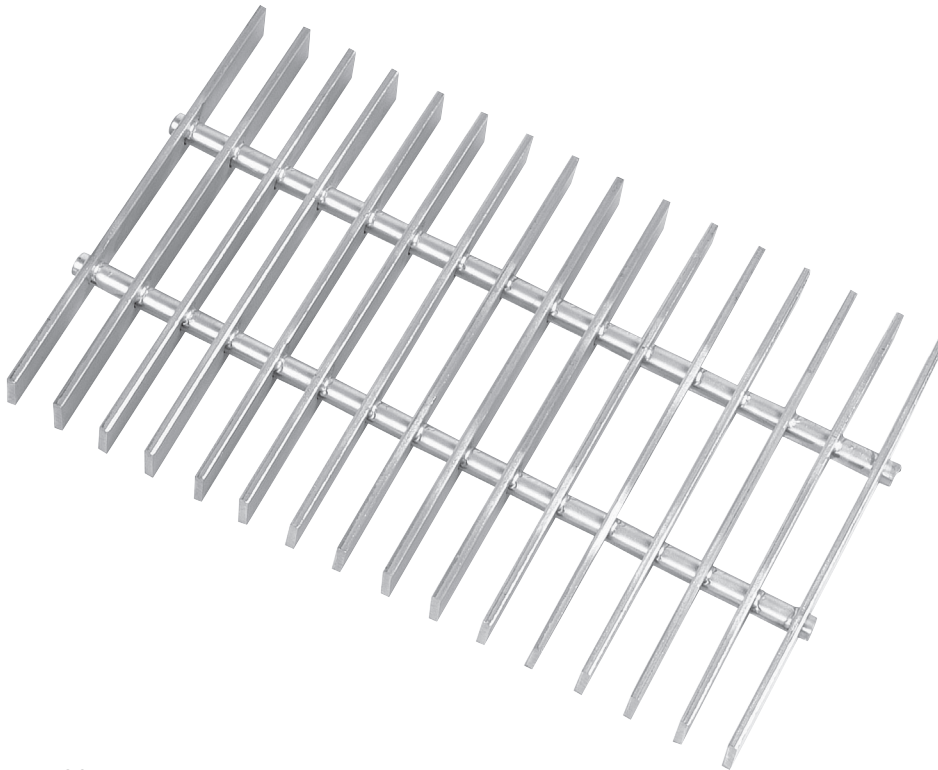
IMC Floor Trough Gratings are specially designed to provide sanitary carefree use - to permit quick, efficient and thorough cleaning.

Rugged stainless steel construction, engineered to stand up under day-in and day-out abuse.

Floor Trough Gratings can be easily built to specific custom dimensions to fit the operator's special needs and requirements. Our engineers would be delighted to put their experience and knowledge to work for you in planning the most efficient use of your space.

### OPTIONS:

- Custom lengths
- Custom widths
- Anti-Slip design
- ADA Spacing
- Anti-Splash design
- Custom rod alignments
- See Price Book for other options
- Standard and stock sizes fit most applications



\*Price page 60

Specifications subject to change without notice.



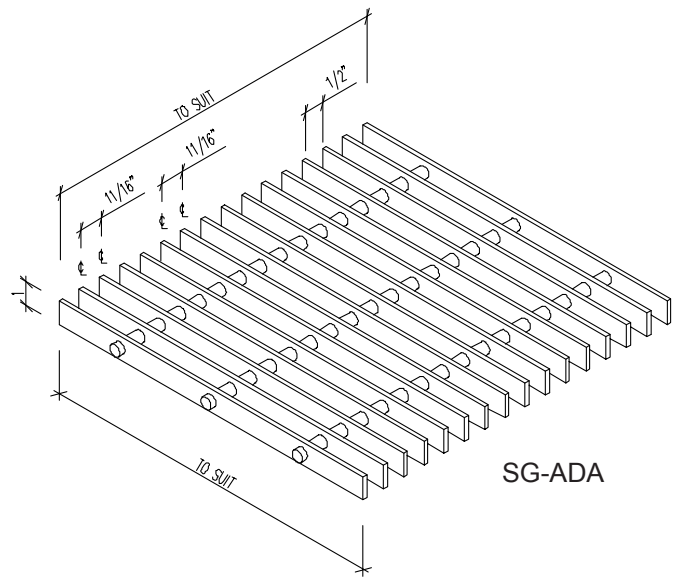
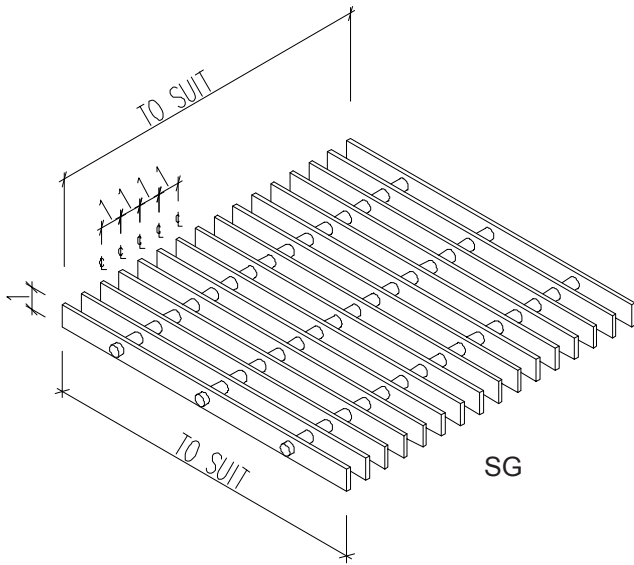
P.O. Box 206  
Copiague, NY 11726-0206

800-221-5644/631-789-8881  
Fax: 631-789-3633

[www.imcteddy.com](http://www.imcteddy.com)

SG-30 1007

# SG Subway Grating Standard Design



## SUBWAY GRATING, STANDARD DESIGN

MODEL	SIZE (W x L)	METRIC	WEIGHT	MODEL	SIZE (W x L)	METRIC	WEIGHT
SG-1224	12" x 24"	305 x 610	16	SG-2424	24" x 24"	610 x 610	32
SG-1236	12" x 36"	305 x 914	24	SG-2436	24" x 36"	610 x 914	48
SG-1248	12" x 48"	305 x 1219	32	SG-2448	24" x 48"	610 x 1219	64
SG-1260	12" x 60"	305 x 1524	40	SG-2460	24" x 60"	610 x 1524	80
SG-1272	12" x 72"	305 x 1829	48	SG-2472	24" x 72"	610 x 1829	96
SG-1284	12" x 84"	305 x 2134	56	SG-2484	24" x 84"	610 x 2134	112
SG-1296	12" x 96"	305 x 2438	64	SG-2496	24" x 96"	610 x 2438	128
SG-12108	12" x 108"	305 x 2743	72	SG-24108	24" x 108"	610 x 2743	144
SG-12120	12" x 120"	305 x 3048	80	SG-24120	24" x 120"	610 x 3048	160
SG-1824	18" x 24"	458 x 610	24	SG-3024	30" x 24"	762 x 610	40
SG-1836	18" x 36"	458 x 914	36	SG-3036	30" x 36"	762 x 914	60
SG-1848	18" x 48"	458 x 1219	48	SG-3048	30" x 48"	762 x 1219	80
SG-1860	18" x 60"	458 x 1524	60	SG-3060	30" x 60"	762 x 1524	100
SG-1872	18" x 72"	458 x 1829	72	SG-3072	30" x 72"	762 x 1829	120
SG-1884	18" x 84"	458 x 2134	84	SG-3084	30" x 84"	762 x 2134	140
SG-1896	18" x 96"	458 x 2438	96	SG-3096	30" x 96"	762 x 2438	160
SG-18108	18" x 108"	458 x 2743	108	SG-30108	30" x 108"	762 x 2743	180
SG-18120	18" x 120"	458 x 3048	120	SG-30120	30" x 120"	762 x 3048	200

These sizes are for matching troughs made by IMC/Teddy ONLY.

\*See Price book pages 60 & 62 for additional sizes and options.

Specifications subject to change without notice.



P.O. Box 206  
Copiague, NY 11726-0206

800-221-5644/631-789-8881  
Fax: 631-789-3633

www.imcteddy.com

SG-30 1007