

ADA - Handicap Model Hand Sink

SPECIFICATION:

ADA-WS Model Handicap Hand Sink is constructed of 16-gauge stainless steel type 304 with integrated backsplash, non-drip marine edges and a large cove corner sink bowl with 1 1/2" waste outlet and an apron with enclosure. Optional right hand Model "ITD" - "INTEGRAL" built-in towel dispenser accommodates 9 1/2" multi-fold towels. Removable front enclosure conceals piping and prevents wheelchair damage. Deck mounted ADA Soap Dispenser and ADA wrist-action handle faucet Chicago Model #895-317 or equal are standard.

ADA-WSX - same as above without faucet or soap dispenser.

ADA-WSSEC - Security ADA Wall Sink with Automatic Self-Closing Faucet, T&S #807 or equal, and correctional model apron with front enclosure.

DESIGN:

Sanitary
IMC Hand Sinks are easily cleanable without the use of tools. All corners are coved, and all seams are fully welded and polished.

Large oversize deck provides space for faucet, soap dispenser and integral towel dispenser. High backsplash protects wall and keeps sink sanitary. Large integral apron conceals all plumbing.

OPTIONS:

- Hands-Free automatic electronic faucet, battery or transformer models
- Automatic slow, self closing faucet
- Other faucet options
- Other bowl sizes
- Splash Mounted Towel Dispenser
- Integral Towel Dispenser for 300 multifold towels
- Electronic Soap Dispenser
- "P" Trap
- Lever Drain (Drain Size 3-1/2")
- Eye Wash Spray
- Side Splashes
- ADA Low Profile Hand Dryer
- See Price Book for other options



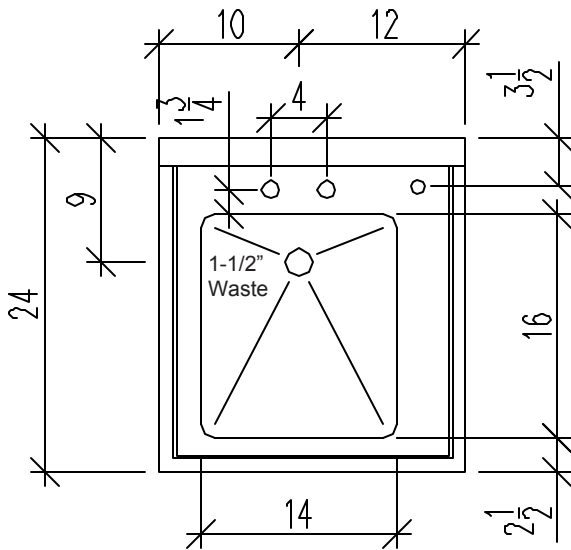
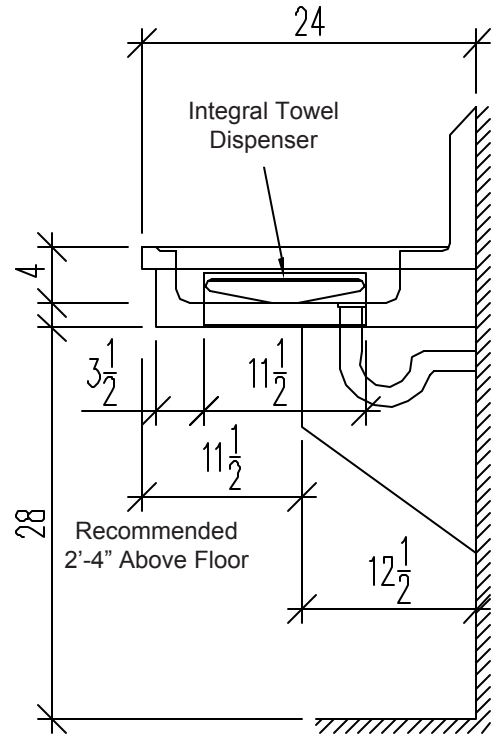
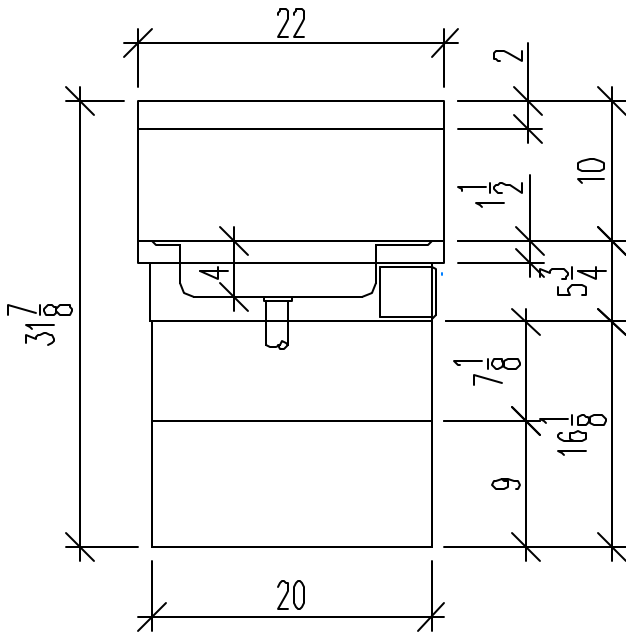
ADA-WS shown here with Standard (ITD) Integrated Towel Dispenser



*Price Page 64

Specifications subject to change without notice.

ADA - Handicap Model Hand Sink



Shown here with Standard
Integrated Towel Dispenser

NOTE: Plumbing Connections by Others.

*See Price book pages 66-67 for options.

Specifications subject to change without notice.



P.O. Box 206
Copiague, NY 11726-0206

www.imcteddy.com

800-221-5644/631-789-8881
Fax: 631-789-3633

ADA-WS-30 1007
ADA-WSX-30 1007
ADA-WSSEC-30 1007