

HS - Hand Sink Free Standing Model

SPECIFICATION:

HS Model Free Standing Hand Sink is constructed of 16-gauge #304 stainless steel, with integral backsplash and non-drip marine edges, coved corner sink bowl and built-in pitch to 1 1/2" waste outlet. Body is 18-gauge stainless steel with removable access panel and built-in toe recess. Deck mounted soap dispenser has 1-pint capacity. Faucet is T&S #B-1105, or equal, splash-mounted, with rigid goose-neck and wrist-action handles.

HS-X Model - same as above without faucet and soap dispenser. Faucet hole can be provided.

HS-SEC Model - Security Model with 16GA body and rear covers.

PRODUCT GUIDE:

IMC Hand Sinks are easily cleanable without the use of tools. All corners are coved, and all seams are fully welded and polished.

HS Hand Sinks are based on the WS Model design with a large deck for a faucet and soap dispenser. High backsplash protects wall and keeps sinks sanitary.

Integral cabinet body supports sink and provides access to plumbing. Optional door and shelf can be used for storage below sink.

OPTIONS:

- 18-gauge rear enclosure
- Hinged door and storage shelf (lock optional)
- Hands-Free automatic electronic faucet, battery or transformer model
- Foot pedal, T&S #0502 double valve, or equal, in lieu of wrist-action handles
- Automatic slow, self closing faucet
- Other faucet options
- Custom bowl sizes
- "P" Trap
- Towel Dispenser for 300 multi-fold towels
- Integral Towel Dispenser for 300 multifold towels mounted into cabinet body
- Integral waste can in cabinet body
- Eye wash spray unit
- See Price Book for other options



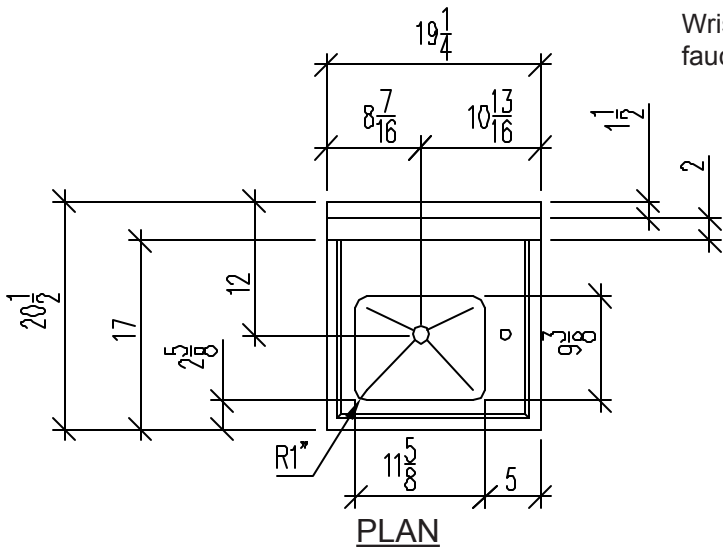
HS shown here with optional (TD) Towel Dispenser & optional (EF) Electronic Faucet



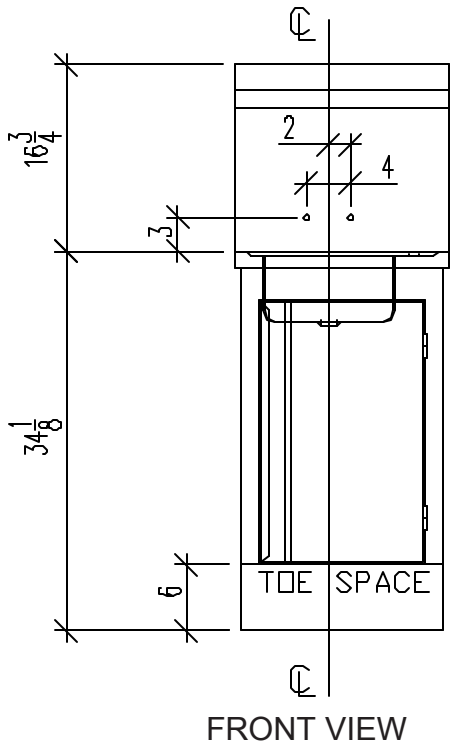
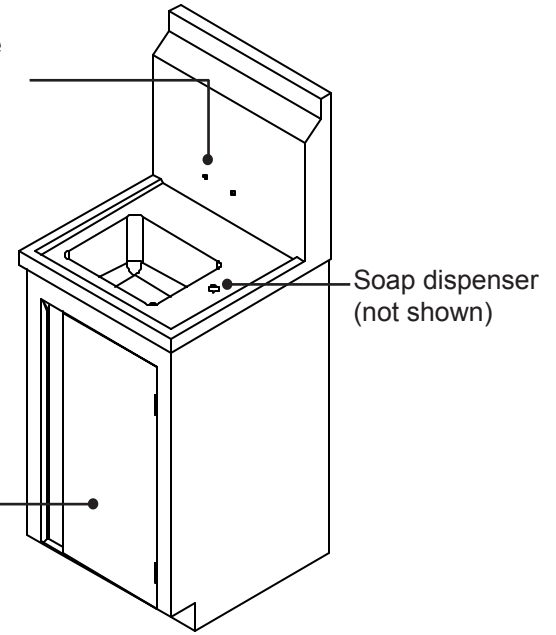
*Price Page 64

Specifications subject to change without notice.

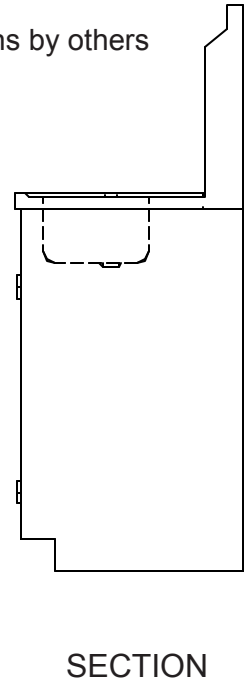
HS - Hand Sink Free Standing Model



Wrist-action handle faucet (not shown)



NOTE: Plumbing connections by others



*See Price book pages 66-67 for options.

Specifications subject to change without notice.



P.O. Box 206
Copiatague, NY 11726-0206

800-221-5644/631-789-8881
Fax: 631-789-3633

www.imcteddy.com

HS-30 1007
HS-X-30 1007
HS-SEC-30 1007