

MSC Mop Sink Cabinet

SPECIFICATION:

MSC Model Single Mop Cabinet is made of 18GA Stainless Steel with (1) one 20GA door. The cabinet is 30" wide x 24" deep x 84" high with a 5" deep sink with a 4" waste outlet. Utility spray hose with brush and (2) two mop holders are included with the unit. The upper section of the cabinet has (1) one fixed shelf notched for mop handles. The cabinet base is fully enclosed and mounted on adjustable legs for leveling.

Hinged stainless steel doors fully enclose the cabinet. Door catches provided, keeps door closed when not in use.



PRODUCT GUIDE:

The Mop Sink Cabinet is designed for use where space is limited and helps follow acceptable sanitary practices in any size facility. Mop buckets for kitchen and customer areas can be easily emptied, cleaned and refilled as needed.

The shelf provides storage space for cleaning supplies. Optional removable sink covers provide additional storage when the sinks are not being used.

The design features and attractive finish of the IMC/Teddy Utility Cabinet allows placing this unit in cooking, prepping and customer areas. Compact facilities are particularly suited for use of this unit, as are most other establishments.

OPTIONS:

- Sloped Top
- Door on Top Storage Area
- Keyed Door Lock
- S/S Flat Cover Over Sink (for use as temporary storage when sink is not in use)
- Intermediate Shelf in Top Storage Area

Specifications subject to change without notice.



P.O. Box 206
Copiague, NY 11726-0206

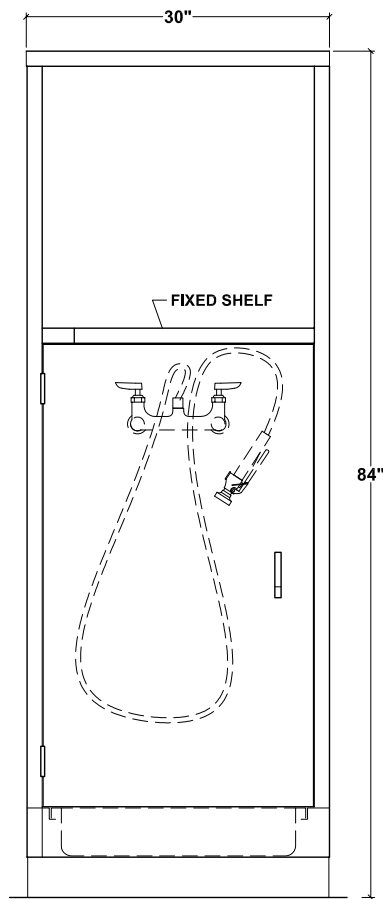
800-221-5644/631-789-8881

Fax: 631-789-3633

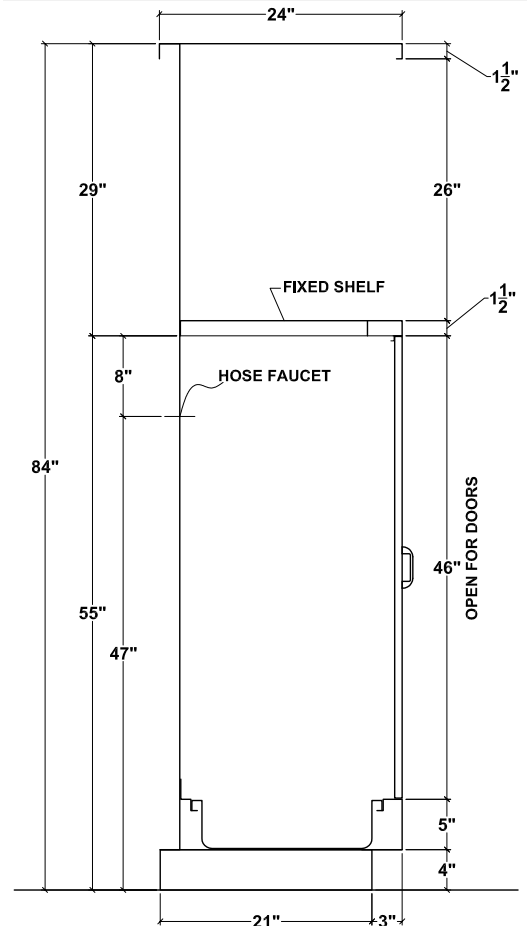
MSC-20 1012

www.imcteddy.com

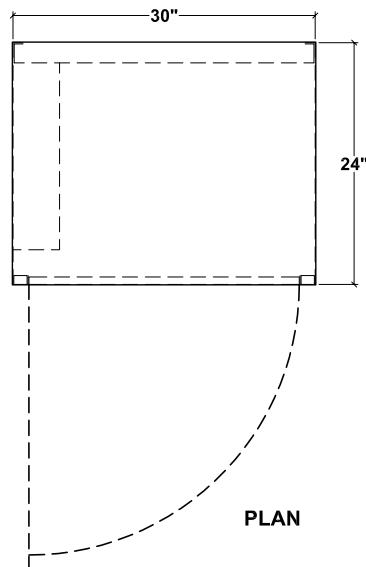
MSC Mop Sink Cabinet



FRONT ELEVATION



SIDE SECTION



PLAN

Specifications subject to change without notice.



P.O. Box 206
Copiapue, NY 11726-0206

800-221-5644/631-789-8881
Fax: 631-789-3633
MSC-20 1012

www.imcteddy.com