

UVC-2226 - Knife Sterilizing Cabinet

SPECIFICATION:

UVC-2226 Model Knife Sterilizing Cabinet is manufactured of 18GA type 304 stainless steel, completely welded and polished to a brushed finish. Unique design door opening prevents ultra violet leakage. Double pan door is provided with latch and key for security. Equipped with a removable knife rack for easy cleaning.

Rack holds knives upright to permit full sterilization of knife edges.

Germicidal ultra violet sterilizing light is automatically energized when door is closed. Integral timer starts sterilizing cycle and a red pilot light is lit. When sterilization is complete, red pilot light shuts and a green ready light indicates cycle completion. Unit is equipped with a 120V cord and plug. All wiring connections are concealed at the top with an access panel for service.

Factory prewired unit is equipped with an 8 watt germicidal u.v. lamp, timer switch, indicator lights, knife rack and hooks. Door latches can be locked for security.

PRODUCT GUIDE:

IMC Knife Sterilizer Cabinet uses germicidal UV to disinfect and purify knives and other kitchen tools. The cabinet is designed to generate UV dosages in excess of 30,000 microwatts per square centimeter in the timed cycle and destroys 99.9% of microorganisms. Use with cleaned and drying tools and knives only. Do not attempt to operate with door open.



OPTIONS:

- Mirrored Door
- Opaque Glass Door
- Custom Sizes
- Single or Double Doors



Unique Features:

- Non-chemical disinfecting.
- Uses only highest quality UV germicidal fixture.
- Time tested proved technology from UV pioneers.
- Removal knife stand and tool hooks.
- Free standing or wall mounted cabinet.
- All welded stainless steel.
- NSF Construction



*Price Page 55

Specifications subject to change without notice.



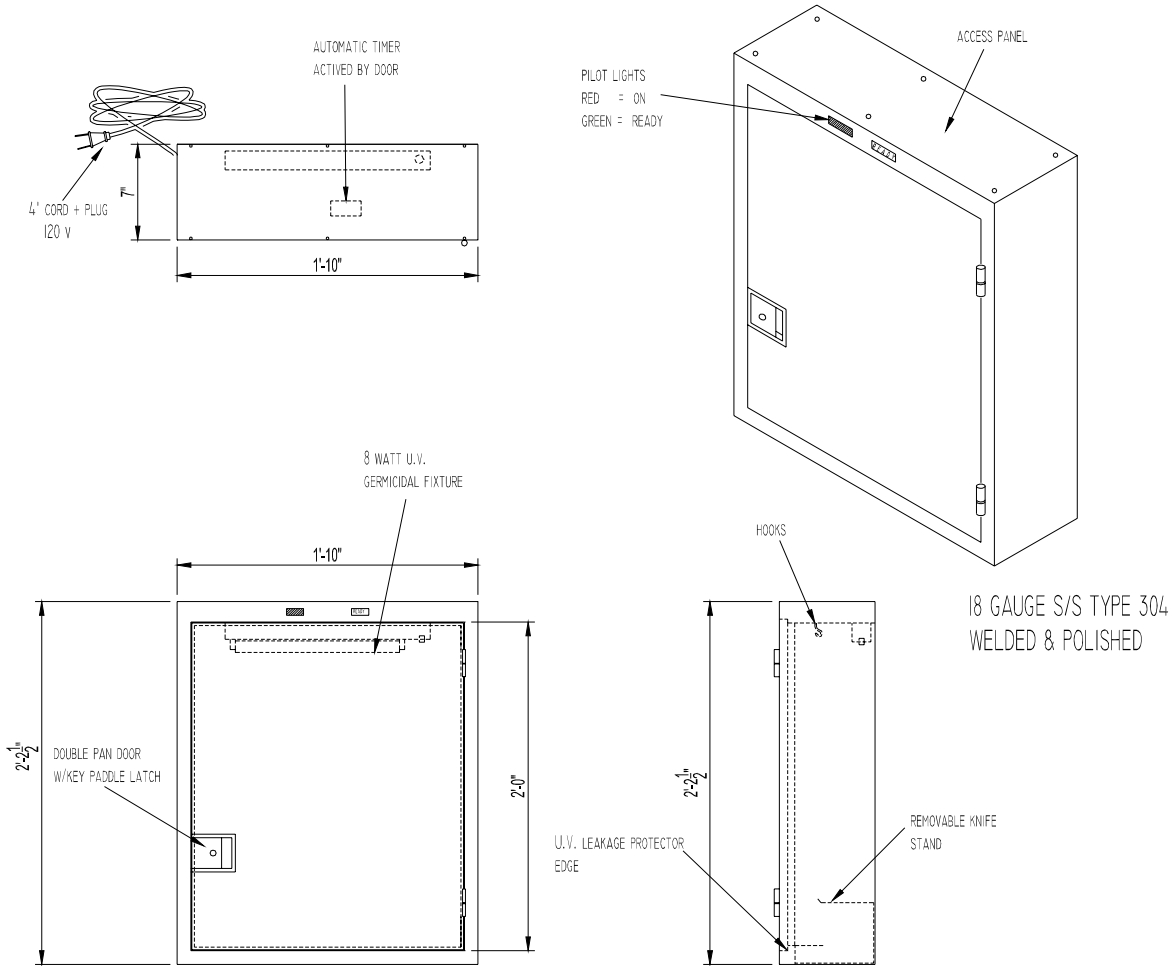
P.O. Box 206
Copiague, NY 11726-0206

800-221-5644/631-789-8881
Fax: 631-789-3633

UVC-10 0104

www.imcteddy.com

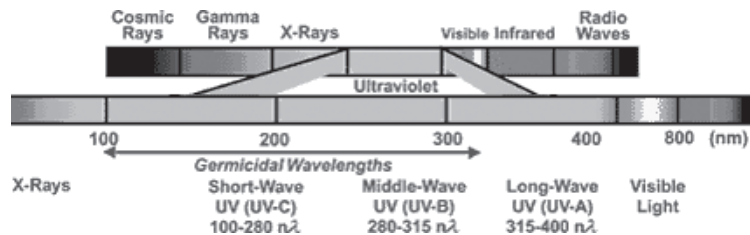
UVC-2226 - Knife Sterilizing Cabinet



What is Ultraviolet?

Ultra violet light is part of the light spectrum, which is classified into three wavelength ranges:

- UV-C, from 100 nanometers (nm) to 280 nm
- UV-B, from 280 nm to 315 nm
- UV-A, from 315 nm to 400 nm



What is Germicidal Ultraviolet?

UV-C light is germicidal - i.e., it deactivates the DNA of bacteria, viruses pathogens and thus destroys their ability to multiply and cause disease. The process is non-chemical, simple and economical to operate.

*See Price book page 55 for options.

Specifications subject to change without notice.



P.O. Box 206
Copiatue, NY 11726-0206

800-221-5644/631-789-8881
Fax: 631-789-3633

UVC-10 0104

www.imcteddy.com