

## ADA-WSX - Handicap Model Hand Sink

### SPECIFICATION:

**ADA-WSX Model** Handicap Hand Sink is constructed of 16-gauge stainless steel type 304 with integrated backsplash, non-drip marine edges and a large cove corner sink bowl with 1 1/2" waste outlet and an apron with enclosure.

### DESIGN:

#### Sanitary

IMC Hand Sinks are easily cleanable without the use of tools. All corners are coved, and all seams are fully welded and polished.

Large oversize deck provides space for faucet, soap dispenser and integral towel dispenser. High backsplash protects wall and keeps sink sanitary. Large integral apron conceals all plumbing.

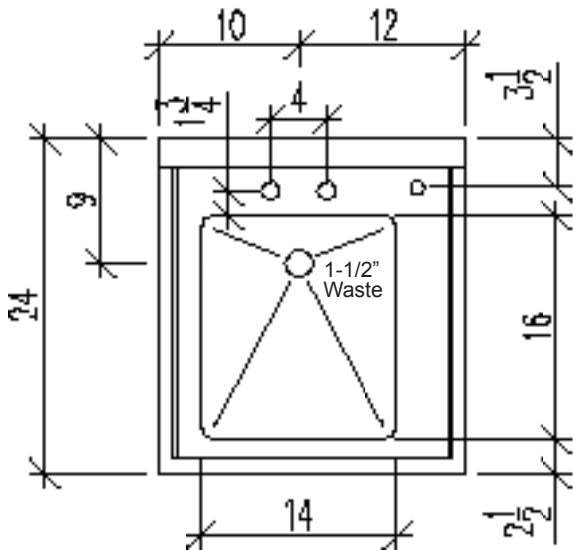
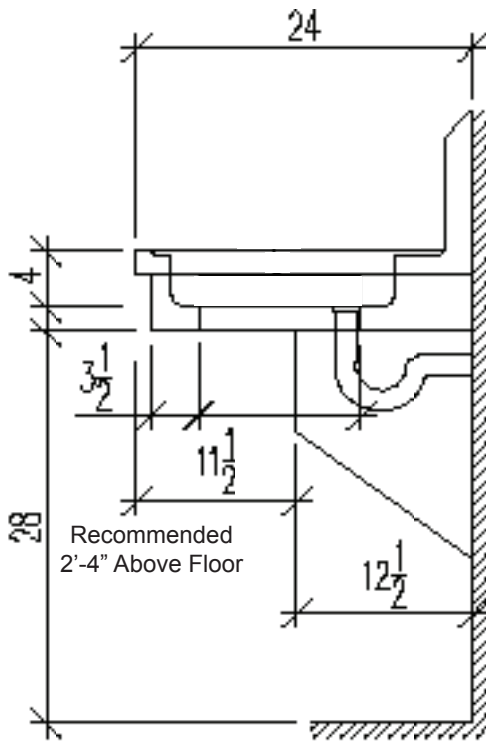
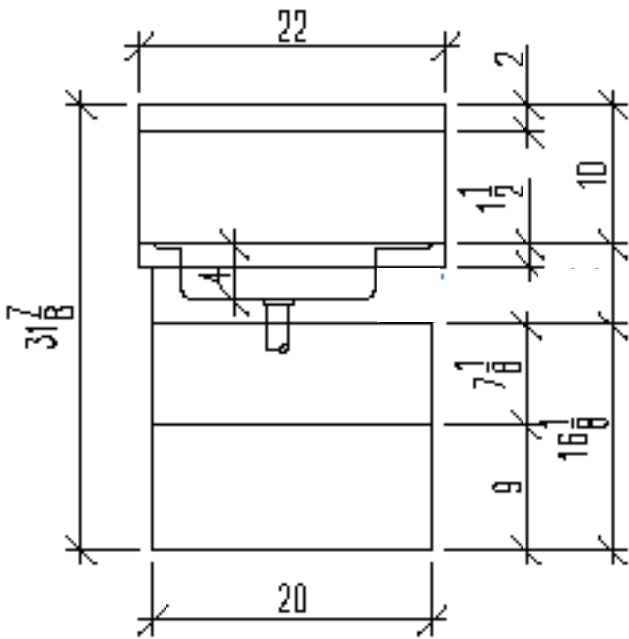
### OPTIONS:

- Hands-Free automatic electronic faucet, battery or transformer models
- Automatic slow, self closing faucet
- Other faucet options
- Other bowl sizes
- Splash Mounted Towel Dispenser
- Integral Towel Dispenser for 300 multifold towels
- Electronic Soap Dispenser
- "P" Trap
- Lever Drain ( Drain Size 3-1/2")
- Eye Wash Spray
- Side Splashes
- ADA Low Profile Hand Dryer
- See Price Book for other options



Specifications subject to change without notice.

# ADA-WSX - Handicap Model Hand Sink



Specifications subject to change without notice.



P.O. Box 206  
Copiague, NY 11726-0206

800-221-5644/631-789-8881  
Fax: 631-789-3633

[www.imcteddy.com](http://www.imcteddy.com)

ADA-WSX-30 0616