

## General Information

Project Name: \_\_\_\_\_

Consultant: \_\_\_\_\_

Item #: \_\_\_\_\_

Model #: \_\_\_\_\_

Quantity: \_\_\_\_\_



## Specifications

**TRE** Trench Drain System is 14GA type 300 stainless steel, fully welded with a brush satin finish. Perforated waste strainer provided at each drain. Units are 4" wide and lengths as needed. Standard modules 3'-0" up to 11'-6" long are available as noted.

Optional end flanges are shown with neoprene gaskets, can be used to join modules in the field if required to make long runs. 2" diameter drains with a perforated strainer are located as needed.

Grating options are Fiberglass (PFG) or SQ stainless steel grid design.

## Product Guide

Use in all facilities as individual trough drains, perimeter drains or interconnected with Floor Troughs for volume drainage system.



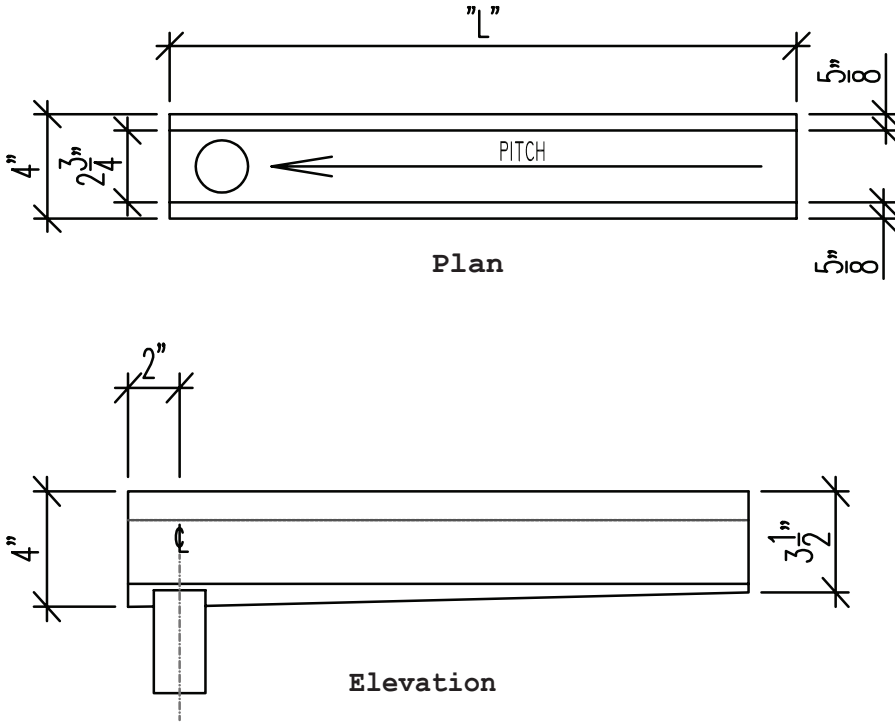
Shown with PFG-ADA Grating

## Options

- 3", 3½", 5", 6", 8" OD Tube (circle one)
- Waste Tube over 3" Long
- Additional Wastes
- Waste Cup Strainers
- Beehive Strainers
- Off Center Waste
- Perforated Waste Pipe
- Special Size Setting Flange 2" Deep
- Special Size Setting Flange 2" to 4" Deep
- Oversize Waste Tube
- Lint Screen for Laundry Trough
- Drain on the Side or End
- Rim on Drain
- Basket Strainer w/ Handle & Chain
- BXD** - Box Type Drain
- BSX** - Beehive Strainer for Box Drain
- GA-12** - 12GA Upgrade



**DRAWINGS**



**TRENCH DRAIN SYSTEM**

Model	Size (W x L)
□ TRE-24	4" x 24"
□ TRE-30	4" x 30"
□ TRE-36	4" x 36"
□ TRE-48	4" x 48"
□ TRE-60	4" x 60"
□ TRE-72	4" x 72"
□ TRE-84	4" x 84"
□ TRE-96	4" x 96"
□ TRE-108	4" x 108"
□ TRE-120	4" x 120"

Specifications subject to change without notice.

TRE-50 0520