



T&S BRASS AND BRONZE WORKS, INC.
 2 SADDLEBACK COVE / P.O. BOX 1088 / TRAVELERS REST, SC 29690
 PHONE 800-476-4103 FAX 864-834-3518



Model No.

HG-4-SK SERIES

Item No.:

REG.#A2601
ISO #9002

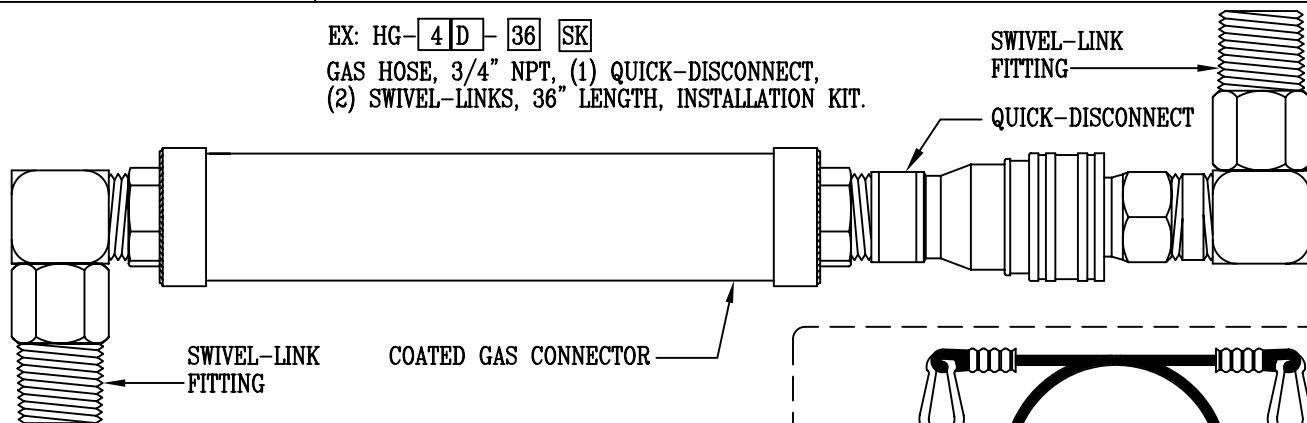
Job Name:

Architect/Engineer Approval:

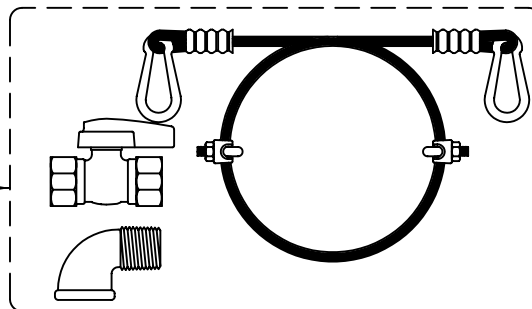


TO ORDER HG-4-SK SERIES: HG — —

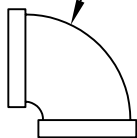
EX: HG-4D-36SK
 GAS HOSE, 3/4" NPT, (1) QUICK-DISCONNECT,
 (2) SWIVEL-LINKS, 36" LENGTH, INSTALLATION KIT.



INSTALLATION KIT: RESTRAINING
 CABLE, STREET EL, BALL VALVE



(1) 90° FEMALE
 NPT ELBOW



"L" = LENGTH	1/2" NPT
12"	HG-4C-12SK
24"	HG-4C-24SK
36"	HG-4C-36SK
48"	HG-4C-48SK
60"	HG-4C-60SK
72"	HG-4C-72SK

"L" = LENGTH	3/4" NPT
12"	HG-4D-12SK
24"	HG-4D-24SK
36"	HG-4D-36SK
48"	HG-4D-48SK
60"	HG-4D-60SK
72"	HG-4D-72SK

"L" = LENGTH	1" NPT
12"	HG-4E-12SK
24"	HG-4E-24SK
36"	HG-4E-36SK
48"	HG-4E-48SK
60"	HG-4E-60SK
72"	HG-4E-72SK

"L" = LENGTH	1-1/4" NPT
12"	HG-4F-12SK
24"	HG-4F-24SK
36"	HG-4F-36SK
48"	HG-4F-48SK
60"	HG-4F-60SK
72"	HG-4F-72SK

Product Description:
 SAFE-T-LINK GAS APPLIANCE CONNECTOR:
 COATED HOSE, QUICK-DISCONNECT, (2) SWIVEL
 LINKS, & (1) INSTALLATION KIT.

Drawn:

WJS

Approved

CA

Checked

ARD

Scale:

1:1

Date:

3-15-97