

**REFRIGERATOR MANUFACTURER**  
**Turbo air**  
 more durable, efficient, beautiful

4184 E. Conant St.  
 Long Beach, CA 90808  
 Tel. 310-900-1000  
 Fax. 310-900-1077  
[www.turboairinc.com](http://www.turboairinc.com)

Project :	
Model # :	
Item # :	Qty :
Available W/H :	
Approval :	

## Glass Door Heated Cabinet

Reach-In  
**PRO Series**

**Model : PRO-50H-G**

### ≡ FEATURES & BENEFITS ≡

- **Digital temperature control & monitor system**
  - Keep food products safe by maintaining constant temperatures.
  - Alarm beeps when doors are not sealed.
  - Early warning alarm program detects issues before malfunction occurs.
  - Digital display allows for easy monitoring.
  - Sensitive touch display.
- **Ducted fan air distribution system**  
 Maintains temperature within the food zone
- **On/Off switch**  
 ON/OFF switch is located on control panel
- **All stainless steel cabinet construction**  
 The PRO series model boasts a stainless steel interior and a **22 gauge** stainless steel exterior (galvanized steel top, bottom). It guarantees the utmost in cleanliness and long product life. The PRO series model adds a touch of style to the most refined setting.
- **Sturdy, clean stainless steel shelving**  
 Shelves are the most important part of cleanliness as they come in direct contact with food. After a while, PVC coated wire shelves may peel, rust and lead to unsanitary conditions. Only the Turbo Air PRO series uniquely provides stainless steel shelving.
- **LED interior lighting**  
 Includes a U.S. patented dimming option, exclusively from Turbo Air. This feature reduces energy consumption by 3~5%.
- **High-density polyurethane insulation**  
 The entire cabinet structure and solid doors are foamed-in-place using high density, CFC free polyurethane insulation.
- **Full length glass doors with locks**
- **Self-closing doors with stay open feature at 120 degrees**
- **Heated cabinet holds 140°F ~ 180°F for the best in food preservation**
- **Lifetime guaranteed heavy duty hinges and handles**



Model	Swing Doors	CU./FT.	#of Shelves	Wattage (w)	AMPS	Crated Weight (lbs.)	L x D* x H† (inches)
<b>PRO-50H-G</b>	<b>2</b>	<b>48.7</b>	<b>6</b>	<b>3000</b>	<b>15</b>	<b>477</b>	<b>51<sup>3</sup>/<sub>4</sub> x 33<sup>7</sup>/<sub>8</sub> x 78</b>

# Glass Door Heated Cabinet

Reach-In  
PRO Series

## Model : PRO-50H-G

ELECTRICAL DATA	
Voltage	208/115/60/1
Plug Type	Ⓢ NEMA L14-20P
Full Load Amperes	15
Wattage (W)	3000
Feed Wires with Ground	4
Cord Length (ft.)	8
DIMENSIONAL DATA	
# of Doors	2
# of Racks Accepted	2
Net Capacity (cu. ft.)	48.7
Ext. Length Overall (in.)	51 <sup>3</sup> / <sub>4</sub> (1314mm)
Ext. Depth Overall (in.)*	33 <sup>7</sup> / <sub>8</sub> (860mm)
Ext. Height Overall (in.)†	78 (1982mm)
Int. Length Overall (in.)	42 <sup>1</sup> / <sub>4</sub> (1073mm)
Int. Depth Overall (in.)	27 <sup>5</sup> / <sub>8</sub> (702mm)
Int. Height Overall (in.)	58 <sup>3</sup> / <sub>4</sub> (1493mm)
# of Shelves	6
Shelf Size (L x D) (in.)	22 <sup>3</sup> / <sub>4</sub> x 26 <sup>3</sup> / <sub>8</sub>
Net Weight (lbs.)	429
Gross Weight (lbs.)	477

Design and specifications subject to change without notice.

Actual shipping weight may differ due to extra packing materials for product protection.

\* Depth does not include 1-1/4" for door handles.

† Height does not include 5" for caster height.

### ■ WARRANTY : 3 Year Parts and Labor Warranty

### ■ STANDARD FEATURES

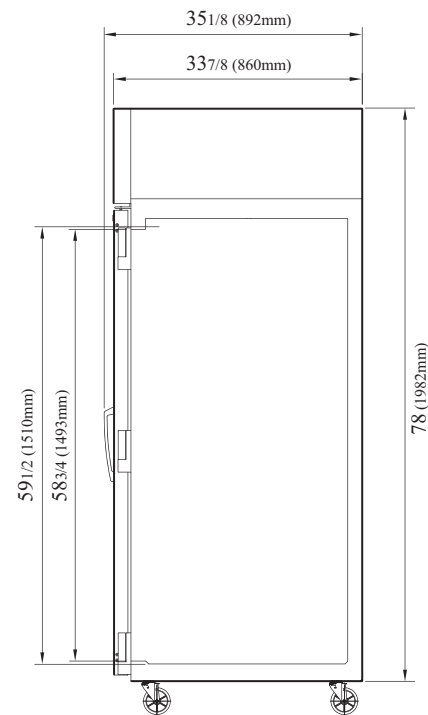
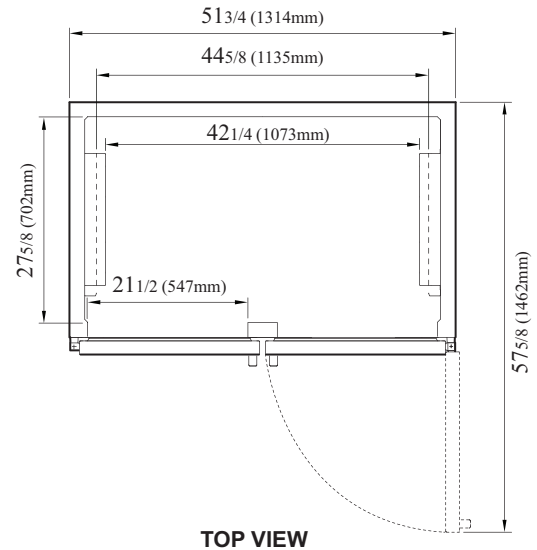
- Door locks standard
- Standard 4" dia. swivel casters with locks on the front set
- Easy replaceable one piece magnetic door gaskets
- Solid and sturdy grille design

### ■ OPTIONAL ACCESSORIES

- 5" caster, 1/2" diameter & 13 TPI: M726500100 (non-brake), M726500200 (w/ brake)
- 4.7" leveling seismic leg (1/2", 13 TPI): 30221M0500
- 6" stainless steel leg: 30221M0600
- Additional stainless steel shelf: (L, R) H50R901700
- Half door bun tray rack: TSP-2224 (each holds up to six 18"L x 26"D sheet pans)
- Full door bun tray rack: TSP-2250 (each holds up to fifteen 18"L x 26"D sheet pans)
- Tray slides kits: TS23-N1LR(#1), TS23-NLR(#4), TS23-UNLR-H(Universal)

## PLAN VIEW

(unit : inch)



Ver.20191115



- Turbo Air : 800-627-0032
- GK : 800-500-3519
- Warranty : 800-381-7770
- AC : 888-900-1002

REFRIGERATOR MANUFACTURER  
**Turbo air**

GERMAN  
KNIFE

RADIANCE

REFRIGERATION SYSTEM  
**Turbo air**

**TEXAKING**