

VICTORY[®] ULTRASPEC

PROJECT: _____

ITEM # _____ QTY: _____

MODEL # _____

AIA # _____ SIS # _____

AIR CURTAIN GLASS DOOR REFRIGERATOR

ACRS-1D-S1-G-HC



Note: Pans Not Included



- ▶ 3 Year Parts & Labor Warranty
Plus An Additional 4 Year Compressor Warranty
- ▶ Exclusive 2 Year Warranty On Magnetic Door Gaskets
- ▶ Lifetime Warranty On Handles & Hinges (parts only)

OPTIONS & ACCESSORIES

- Door Swing Orientation (at time of order)

CABINET CONSTRUCTION

- Stainless Steel Exterior And Interior
- Glass Door With Aluminum Frame
- Heavy Duty Cylinder Lock
- One Piece, Snap-In Magnetic Door Gasket
- Stainless Steel Hinges
- Fifteen Pair (15) Adjustable Stainless Steel Pan Slides (pans not included)
- 7 1/4" Heavy Duty Casters (2) With Locks
- Cord And Plug (see electrical data for details)

FEATURES

- Full Electronic Control
- 90 Minutes Of Door Opening In A 80°F/55% Relative Humidity Ambient Conditions
- Manager's Lockout Feature
- Rear Mounted Push Bar Handle With Rubber Bumpers
- Door Swings Open 270° With Side Door Catch
- Recessed Side Hand Grips
- Ergonomically Correct Door Handle, Guaranteed For Life

REFRIGERATION

- Refrigeration System Uses R-290 Refrigerant To Comply With All Environmental Concerns
- Note: Capable Of Maintaining Product Temperatures At Or Below 41°F For Up To 90 Minutes With Door Open, When Used As Directed. See Installation/Operation Manual For More Information.

AIR CURTAIN REFRIGERATOR

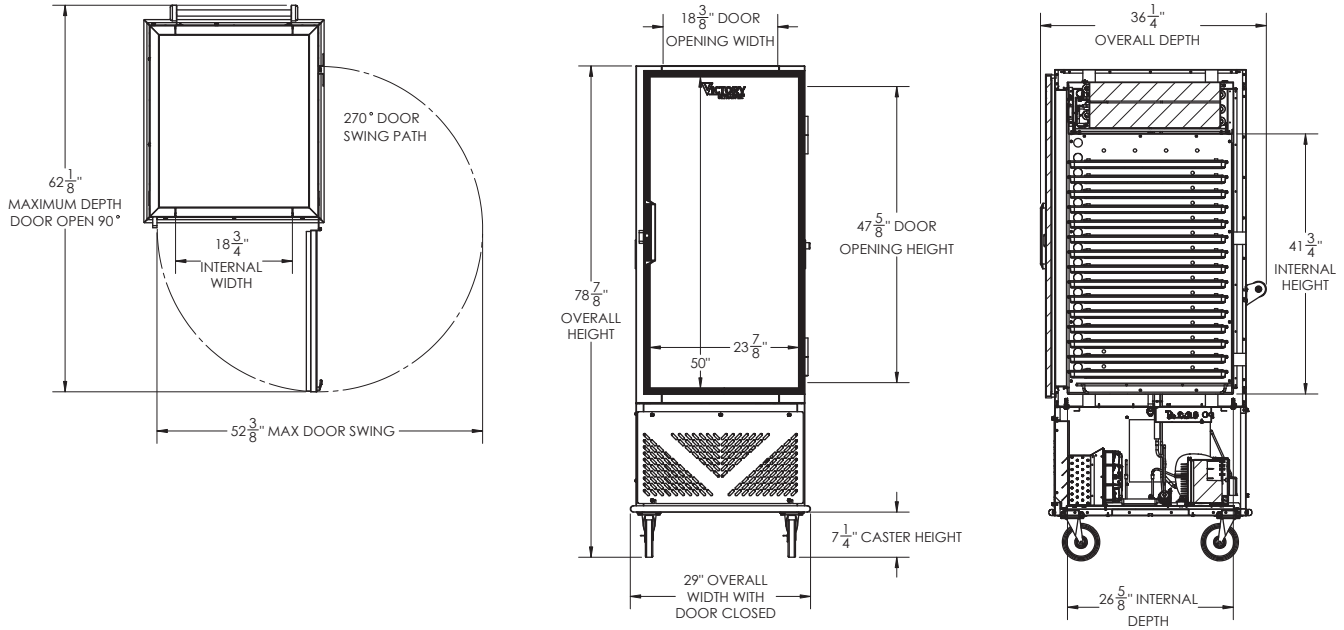
3779 Champion Blvd, Winston-Salem, NC 27105

ph: (888) 845-9800 | fax: (800) 253-5168

Sales@VictoryRefrigeration.com | VictoryRefrigeration.com

Rev. 10/11/21 Printed in U.S.A.

APPROVAL: _____ DATE: _____



We reserve the right to change specifications and product design without notice. Such revisions do not entitle the buyer to corresponding changes, improvements, additions or replacements for previously purchased equipment. Dimensional tolerances +/- 1/4". Metric dimensions (MM)

CHARACTERISTICS		ELECTRICAL DATA		SHIPPING DETAILS	
Net Capacity (cubic ft.)	13.6	Cabinet Voltage*	115/60/1	Height	87"
Width, Overall (in.)	29"	Total Amps	8.3	Width	36"
Depth, Overall (with handle)	$36\frac{1}{4}$ "	NEMA Plug (8' cord)	5-20P	Depth	43"
Height Overall (7 1/4" casters)	$78\frac{7}{8}$ "	REFRIGERATION DATA		Crated Weight	516 lbs
Door Open Depth 90°/Swing 270°	$62\frac{1}{8}$ " / $52\frac{3}{8}$ "	Condensing Unit Size, HP	3/4		
Door Opening (in.)	$18\frac{3}{8}$ " x $47\frac{5}{8}$ "	Refrigerant	R-290		
No. Of Pan Slides	15	Capacity (BTU/HR) (100°F/20°F)	4900		
		Heat Rejection (BTU/HR)	7350		
		Charge (lbs/grams)	0.331/150		

* NOTE: This unit utilizes variable speed compressor technology. The compressor can experience nuisance tripping on Class A GFCI outlets which have a trip limit of 4 mA to 6 mA. To avoid this issue in a location that requires GFCI circuit protection, Victory recommends using a HUBBELL Model Number GFRST83W 20A Heavy Duty Hospital Grade Self-Test GFCI Receptacle.

3779 Champion Blvd, Winston-Salem, NC 27105 | ph: (888) 845-9800 | fax: (800) 253-5168

Sales@VictoryRefrigeration.com | VictoryRefrigeration.com

Rev. 10/11/21 Printed in U.S.A.

an Ali Group Company



The Spirit of Excellence