

# VICTORY<sup>®</sup>

## ULTRASPEC

PROJECT: \_\_\_\_\_

ITEM # \_\_\_\_\_ QTY: \_\_\_\_\_

MODEL # \_\_\_\_\_

AIA # \_\_\_\_\_ SIS # \_\_\_\_\_

# EXTRA WIDE SOLID DOOR REACH-IN FREEZER

## FS-2D-S1-EW-HC

EXTRA WIDE SOLID DOOR REACH-IN FREEZER



### CABINET CONSTRUCTION

- Stainless Steel Exterior And Interior
- Stay-Open Door Feature For Easy Product Loading
- 20 Gauge Stainless Steel Door
- Magnetic Door Switch Automatically Activates Interior LED Light
- Heavy-Duty Cylinder Locks
- Stainless Steel Interior Door Liner
- One Piece, Snap-In Magnetic Door Gaskets
- Low Profile Vertical Door Handles
- Hinged Front Shroud
- Energy Saving Thermal Breaker
- Stainless Steel Breaker Caps
- 6 Silver Freeze Wire Shelves
- 6" High Adjustable Stainless Steel Legs
- 8' Cord And Plug (see electrical data for details)

### FEATURES

- Full Electronic Control With Touchpoint Interface
- Expansion Valve Technology
- Manager's Lockout Feature
- Anti-Condensate Perimeter Heater
- Variable Speed Compressor Technology

### REFRIGERATION

- Refrigeration System Uses R-290 Refrigerant To Comply With All Environmental Concerns
- Hot Gas Condensate Evaporator
- Adaptive Defrost For Reduced Energy Consumption And More Consistent Product Temperatures
- Epoxy Coated Evaporator Coil, Located Out Of The Food Zone
- Freezer Capable Of Maintaining Product Temperature -10°F



- ▶ 3 Year Parts & Labor Warranty Plus An Additional 4 Year Compressor Warranty
- ▶ Exclusive 2 Year Warranty On Magnetic Door Gaskets
- ▶ Lifetime Warranty On Handles & Hinges (parts only)



Please verify qualifying units by visiting:  
[www.energystar.gov/cfs](http://www.energystar.gov/cfs)

### OPTIONS & ACCESSORIES

- |   |   |  |
|---|---|--|
| • Secure-Temp™ Technology                   | • Additional Shelves                            | • Correctional Package                                     |
| • Stainless Steel Case Back                 | • Heat Shield (left, right)                     | • Remote Models* (6" legs only)                            |
| • Stainless Steel Kick Plate                | • Tray Slides (type A & A/C)                    | (refrigerant must be specified at time of order, see note) |
| • Exterior Door Laminate                    | • 3", 6" Casters Or 6" Seismic Legs             |  |
| • Door Swing Orientation (at time of order) | • FlexTemp Models Maintain Between 0°F And 20°F |  |

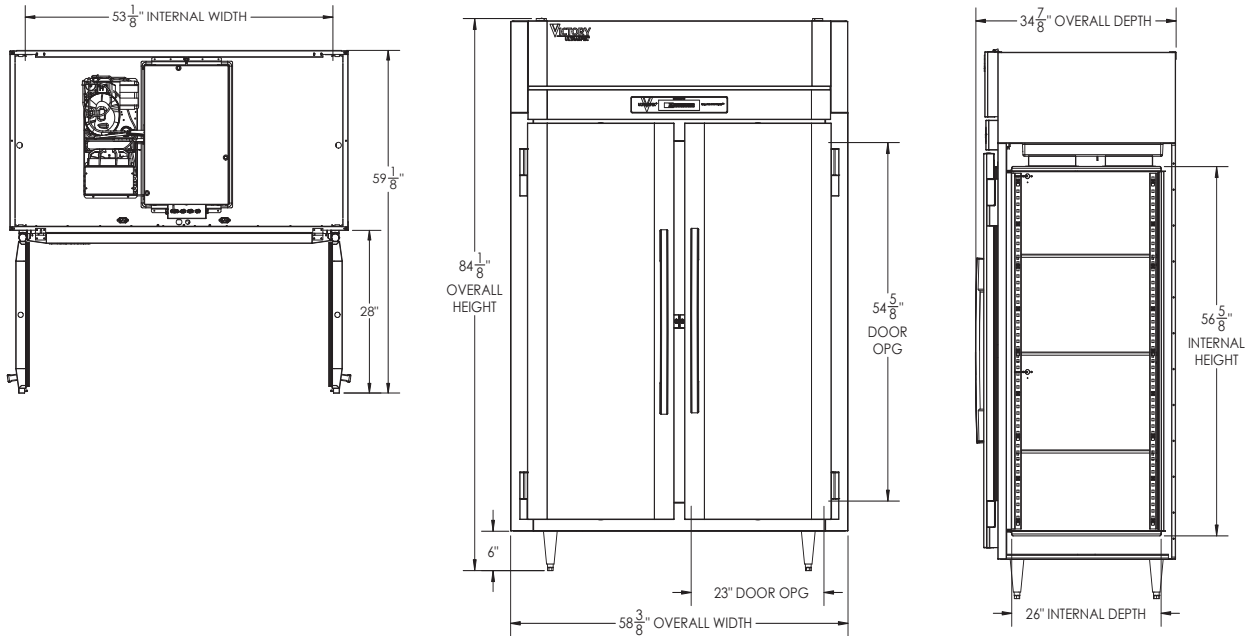
3779 Champion Blvd, Winston-Salem, NC 27105

ph: (888) 845-9800 | fax: (800) 253-5168

Sales@VictoryRefrigeration.com | VictoryRefrigeration.com

Rev. 9/29/21 Printed in U.S.A.

APPROVAL: \_\_\_\_\_ DATE: \_\_\_\_\_



We reserve the right to change specifications and product design without notice. Such revisions do not entitle the buyer to corresponding changes, improvements, additions or replacements for previously purchased equipment. Dimensional tolerances +/- .14". Metric dimensions (MM)

12" Top and 3" rear clearance is required

| CHARACTERISTICS              |               | ELECTRICAL DATA                |            | SHIPPING DETAILS  |         |
|------------------------------|---------------|--------------------------------|------------|---|---------|
| Net Capacity (cubic ft.)     | 49.02         | Cabinet Voltage                | 115/60/1   | Height  | 88"     |
| Width, Overall (in.)         | 58 3/8"       | Total Amperes                  | 10.5       | Width   | 66"     |
| Depth, Overall (with handle) | 34 7/8"       | NEMA Plug (8' cord)            | 5-15P      | Depth   | 41"     |
| Height Overall (6" legs)     | 84 1/8"       | REFRIGERATION DATA             |            | Crated Weight   | 608 lbs |
| Depth, Door Open 90°         | 59 1/8"       | Condensing Unit Size, HP       | 3/4+       | *NOTE: Remote units are field wired and comes with 6" legs. Refrigerant must be specified at time of order. |         |
| Door Opening (in.)           | 23" x 54 5/8" | Refrigerant*                   | R-290      |   |         |
| No. Of Doors/Shelves         | 2/6           | Capacity (BTU/HR) (100°F/20°F) | 2580       |   |         |
|                              |               | Heat Rejection (BTU/HR)        | 3870       |   |         |
|                              |               | Charge (lbs/grams)             | 0.2866/130 |   |         |

3779 Champion Blvd, Winston-Salem, NC 27105 | ph: (888) 845-9800 | fax: (800) 253-5168

Sales@VictoryRefrigeration.com | VictoryRefrigeration.com

Rev. 9/29/21 Printed in U.S.A.

an Ali Group Company



The Spirit of Excellence