



Outperform every day.™

Project:

Item Number:

Quantity:

MODULAR DROP-IN: TOP MOUNT FABRICATOR WELL



Modular Drop-in: Top Mount Fabricator Well

DESCRIPTION

The modular drop-in is designed for top-mount installation and requires hard-wiring. The beveled edge is designed for easy cleaning.

Drop-in can operate wet or dry, however, moist operation is recommended for even heating of the food product. Meets NSF4 performance standards when using moist heat.

High-density glass fiber insulation and internal design features allow zero-clearance installation and use of 1000W elements.

Deep stainless steel well allows use of full-size and fractional pans up to 6" (15.2 cm) deep while still providing moist heat. Adaptor bars are recommended when using fractional pans.

MODELS

36368 120V (US/Canada)

36369 208-240V (US/Canada)

FEATURES

- Thermostatic control.
- Top is 20-gauge stainless steel, 18-8 Type 304, with approximately 1" (2.5 cm) overhang on all sides.
- Deep drawn well is 20-gauge 18-8 stainless steel.
- Standard 1000W heating element.
- Standard drain is ½" (1.27 cm) stainless steel fitting welded to pan with brass nipple extending below exterior housing. Drain screen included.
- Unit insulated on sides, ends, and below element assembly with high-density glass fiber insulation.
- Exterior housing is 20-gauge galvanized steel.
- Drop-in is supplied with stainless steel control panel for remote mounting of control.
- 4-ft. (121.9 cm) control cord contained in flexible metal conduit.
- Standard mounting tabs provided for sheet metal counters.
- Optional mounting kit for laminate and solid surface countertops. Item No. 36370.
- Full one-year parts and labor warranty.

Agency Listings



WARRANTY: All models shown come with Vollrath's standard warranty against defects in materials and workmanship. For full warranty details, please refer to the Vollrath Equipment and Smallwares Catalog.

Due to continued product improvement, please consult www.vollrath.com for current product specifications.

Approvals	Date



Outperform every day.™
www.vollrath.com

The Vollrath Company, L.L.C.
1236 North 18th Street
Sheboygan, WI 53081-3201 U.S.A.
Customer Service: 800.628.0830
Canada Customer Service: 800.695.8560
Main Fax: 800.752.5620 or 920.459.6573

Technical Services: 800.628.0832
Technical Services Fax: 920.459.5462

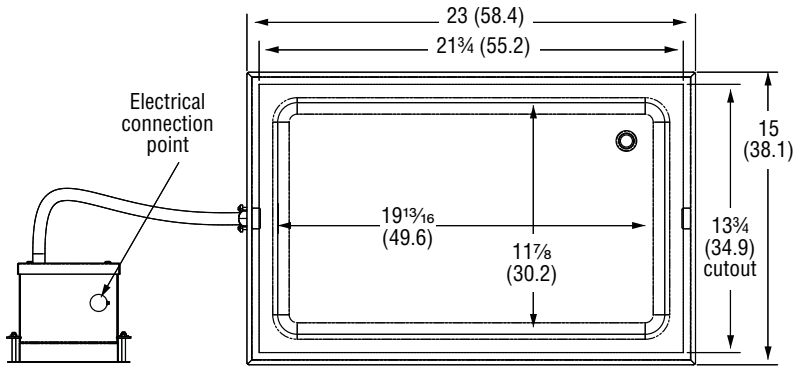
MODULAR DROP-IN: TOP MOUNT FABRICATOR WELL

MODELS

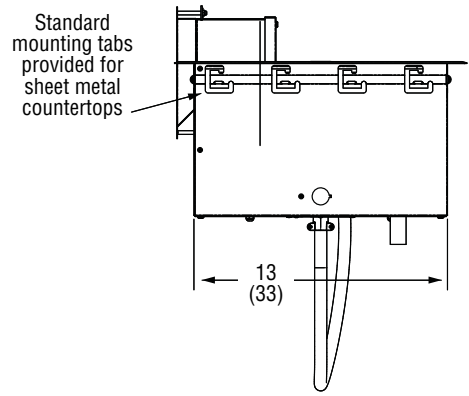
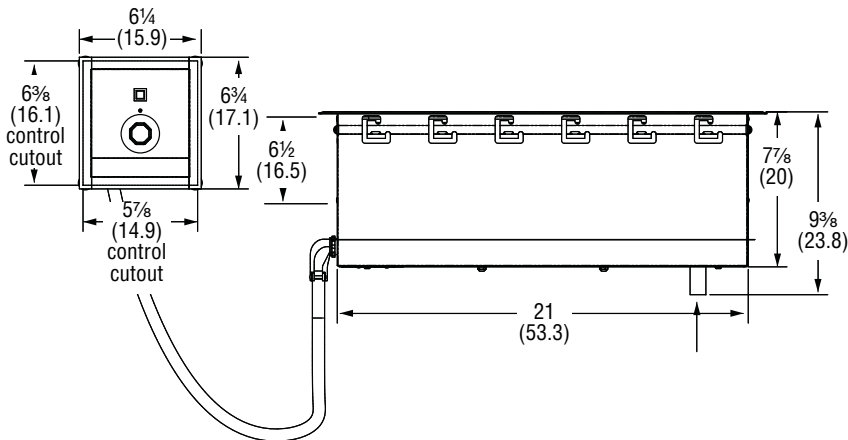
- 36368 120V (US/Canada)
- 36369 208-240V (US/Canada)

DIMENSIONS

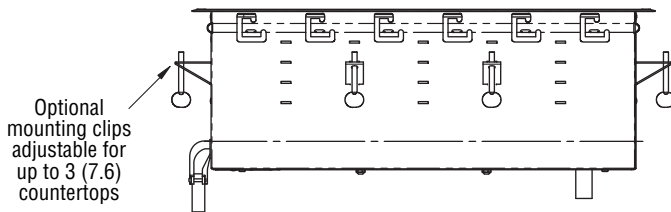
Dimensions shown in inches (cm). Opening cutout must have a 7/8" (2.2 cm) corner radius



Top View



Side View



Front Views

ELECTRICAL SPECIFICATIONS

Item	Watts	Volts	Amps
36368	1000	120	8.3
36369	750-1000	208-240	3.6-4.2



Outperform every day.™

www.vollrath.com

The Vollrath Company, L.L.C.
 1236 North 18th Street
 Sheboygan, WI 53081-3201 U.S.A.
 Customer Service: 800.628.0830
 Canada Customer Service: 800.695.8560
 Main Fax: 800.752.5620 or 920.459.6573

Technical Services: 800.628.0832
 Technical Services Fax: 920.459.5462