



Outperform every day.™

Project:

Item Number:

Quantity:

AFFORDABLE PORTABLE™ UTILITY STATIONS



Affordable Portable™ Utility Station Shown with NSF2 Buffet Breath Guard

DESCRIPTION & FEATURES

- Vollrath Affordable Portable™ utility stations are constructed of vinyl-clad, 20-gauge carbon steel.
- NSF2 buffet or NSF2 cafeteria style acrylic breath guard.
- The utility stations are available in four versatile colors: granite, walnut woodgrain, black and cherry woodgrain.
- Seamless one-piece 20 gauge 300 series stainless steel work surfaces.
- Locking casters included.
- **Affordable Portable™ orders cannot be canceled or returned.**

Lighting Option

- Factory-installed option
- Requires Buffet breath guard
- 120V
- Bulbs not included

AGENCY LISTINGS



Stations with electrical components are UL listed.

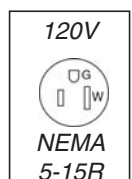
Due to continued product improvement, please consult www.vollrath.com for current product specifications.

ITEMS

Description	Black	Walnut Woodgrain	Granite	Cherry Woodgrain
46" Utility Station with NSF2 Buffet Breath Guard – 120V				
Solid Base	38701	38926	38721	38761
Solid Base w/ Lights	3870146	3892646	3872146	3876146
Open Storage Base	38702	38927	38722	38762
Open Storage w/ Lights	3870246	3892746	3872246	3876246
Storage Base w/ Door	38703	38928	38723	38763
Storage w/ Door, w/ Lights	3870346	3892846	3872346	3876346
46" Utility Station with NSF2 Cafeteria Breath Guard – 120V				
Solid Base	39701	39926	39721	39761
Open Storage Base	39702	39927	39722	39762
Storage Base w/ Door	39703	39928	39723	39763
60" Utility Station with NSF2 Buffet Breath Guard – 120V				
Solid Base	38704	38930	38724	38764
Solid Base w/ Lights	3870460	3893060	3872460	3876460
Open Storage Base	38705	38931	38725	38765
Open Storage w/ Lights	3870560	3893160	3872560	3876560
Storage Base w/ Door	38706	38932	38726	38766
Storage w/ Door, w/ Lights	3870660	3893260	3872660	3876660
60" Utility Station with NSF2 Cafeteria Breath Guard – 120V				
Solid Base	39704	39930	39724	39764
Open Storage Base	39705	39931	39725	39765
Storage Base w/ Door	39706	39932	39726	39766

ELECTRICAL PLUG SPECIFICATIONS

Description	With Incandescent Lamps (250W maximum per fixture)				
	Volts	Hz	Amps	Electrical Service Amps	NEMA Plug
46" Utility Station	120	60	6.0	15	5-15P
60" Utility Station			8.0		



WARRANTY: All models shown come with Vollrath's standard warranty against defects in materials and workmanship. For full warranty details, please refer to www.vollrath.com.

Approvals	Date



Outperform every day.™

www.vollrath.com

The Vollrath Company, L.L.C.

1236 North 18th Street
Sheboygan, WI 53081-3201 U.S.A.
Main Tel: 800.624.2051 or 920.457.4851
Main Fax: 800.752.5620 or 920.459.6573
Customer Service: 800.628.0830
Canada Customer Service: 800.695.8560

Technical Services
techservicereps@vollrathco.com
Induction Products: 800.825.6036
Countertop Warming Products: 800.354.1970
All Other Products: 800.628.0832

AFFORDABLE PORTABLE™ UTILITY STATIONS

ACCESSORIES AND ADD-ONS

Tray Slides

- 300 Series stainless steel
- Fold-down mounting brackets
- Adds 5½" (14 cm) to depth in folded position



Item	Description	Overall Depth	Tray Area	Case Lot
39924*	Fits 24" (61 cm) Affordable Portable™	11½" (29.2)	11" (27.9)	1
39946*	Fits 46" (117 cm) Affordable Portable™			1
39960*	Fits 60" (152 cm) Affordable Portable™			1
				1

*Add NF in front of the item number for non-folding model

Cutting Boards

- Polyethylene
- Fold-down mounting brackets
- Add 4" (10.2 cm) to depth in folded position



Item	Description	Depth	Case Lot
39824*	Fits 24" (61 cm) Affordable Portable™	7" (17.8 cm)	1
39846*	Fits 46" (117 cm) Affordable Portable™		1
39860*	Fits 60" (152 cm) Affordable Portable™		1

*Add NF in front of the item number for non-folding model

Plate Rests

- Stainless steel
- Fold-down mounting brackets
- Adds 4½" (11.4 cm) to depth in folded position



Item	Description	Depth	Case Lot
38992*	Fits 24" (61 cm) Affordable Portable™	7" (17.8 cm)	1
38993*	Fits 46" (117 cm) Affordable Portable™		1
38994*	Fits 60" (152 cm) Affordable Portable™		1

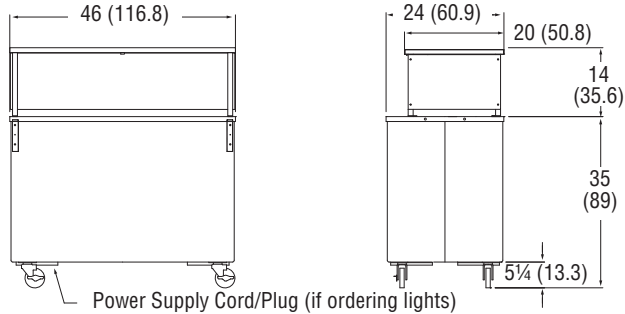
*Add NF in front of the item number for non-folding model

Infrared Lamp Bulbs

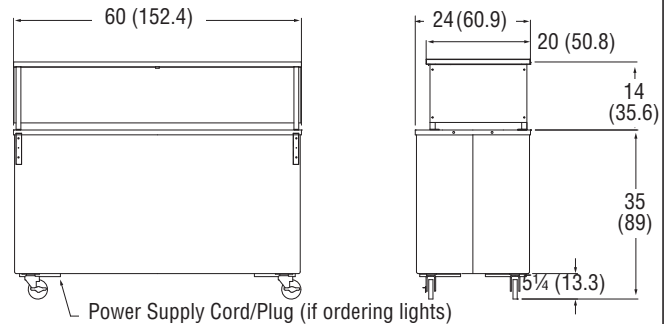
Item	Description	Case Lot
72242	White, 250W	1 Dozen
72241	Red, 250W	1 Dozen

DIMENSIONS (Shown in inches (cm))

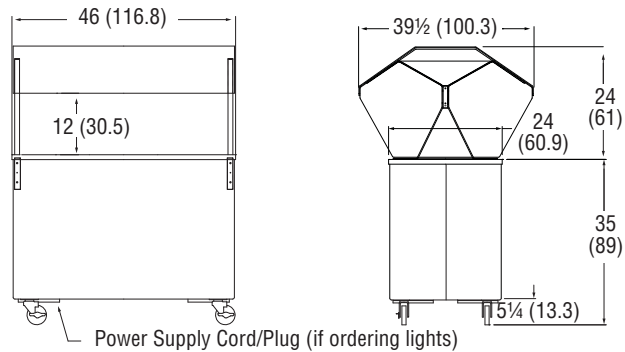
46" Utility Station with NSF2 Cafeteria Breath Guard



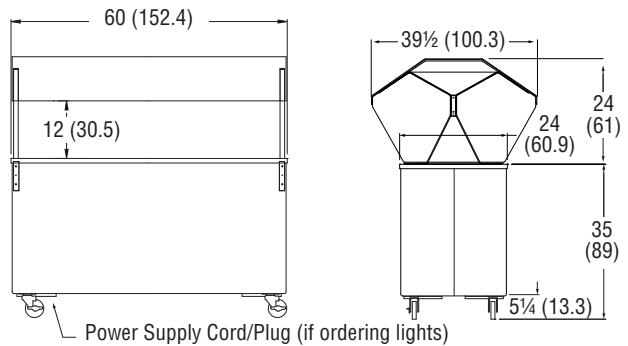
60" Utility Station with NSF2 Cafeteria Breath Guard



46" Utility Station with NSF2 Buffet Breath Guard



60" Utility Station with NSF2 Buffet Breath Guard



3 Well Storage Opening: 36 x 23 x 16½ (91.5 x 58 x 42)

4 Well Storage Opening: 50 x 23 x 16½ (127 x 58 x 42)



Outperform every day.™

www.vollrath.com

The Vollrath Company, L.L.C.
 1236 North 18th Street
 Sheboygan, WI 53081-3201 U.S.A.
 Main Tel: 800.624.2051 or 920.457.4851
 Main Fax: 800.752.5620 or 920.459.6573
 Customer Service: 800.628.0830
 Canada Customer Service: 800.695.8560

Technical Services
techservices@vollrathco.com
 Induction Products: 800.825.6036
 Countertop Warming Products: 800.354.1970
 All Other Products: 800.628.0832