



Outperform every day.™

Project:

Item Number:

Quantity:

AFFORDABLE PORTABLE™ HOT FOOD STATIONS



Affordable Portable™ Four Well Hot Food Station with Buffet Breath Guard

DESCRIPTION & FEATURES

- Vollrath Affordable Portable™ hot food stations are constructed of vinyl-clad, 20-gauge carbon steel.
- Each well supplied with 120V, 525W exposed heating element.
- High-density glass fiber insulation.
- Infinite control rotary knob.
- Standard buffet or NSF2 cafeteria style acrylic breath guard.
- The hot food stations are available in four versatile colors: granite, walnut woodgrain, black and cherry woodgrain.
- Countertops are manufactured from 20-gauge stainless steel.
- Two locking casters included.
- Spillage pans required. Order separately.
- 8 ft. cord with plug.
- **Affordable Portable™ orders cannot be canceled or returned.**

Lighting Option

- Factory-installed option
- Requires Buffet breath guard
- 120V
- Bulbs not included

AGENCY LISTINGS



WARRANTY: All models shown come with Vollrath's standard warranty against defects in materials and workmanship. For full warranty details, please refer to www.Vollrath.com.

Due to continued product improvement, please consult www.vollrath.com for current product specifications.

ITEMS

Description	Black	Walnut Woodgrain	Granite	Cherry Woodgrain
3 Well Standard Buffet Breath Guard Hot Food Station – 120V				
Solid Base ^①	38707	38935	38727	38767
Solid Base w/ Lights ^②	3870746	3893546	3872746	3876746
Open Storage Base ^①	38708	38936	38728	38768
Open Storage w/ Lights ^②	3870846	3893646	3872846	3876846
Storage Base w/ Door ^①	38709	38937	38729	38769
Storage w/ Door, w/Lights ^②	3870946	3893746	3872946	3876946
3 Well NSF2 Cafeteria Breath Guard Hot Food Station – 120V				
Solid Base ^①	39707	39935	39727	39767
Open Storage Base ^①	39708	39936	39728	39768
Storage Base w/ Door ^①	39709	39937	39729	39769
4 Well Standard Buffet Breath Guard Hot Foot Station – 120V				
Solid Base ^①	38710	38945	38730	38770
Solid Base w/ Lights ^②	3871060	3894560	3873060	3877060
Open Storage Base ^①	38711	38946	38731	38771
Open Storage w/ Lights ^②	3871160	3894660	3873160	3877160
Storage Base w/ Door ^①	38712	38947	38732	38772
Storage w/ Door, w/ Lights ^②	3871260	3894760	3873260	3877260
4 Well NSF2 Cafeteria Breath Guard Hot Foot Station – 120V				
Solid Base ^①	39710	39945	39730	39770
Open Storage Base ^①	39711	39948	39731	39771
Storage Base w/ Door ^①	39712	39947	39732	39772

① For 208-240V without lights, add 2 to the item number.
 ② For 120/208 and 120/240V with lights, add 4 to the item number.

ELECTRICAL SPECIFICATIONS

Description	Volts	Hz	Amps	Watts per Well	Electrical Service (A)	NEMA Plug
3-Well	120	60	13.1	525	20	5-20P
4-Well			17.5	525	30	5-30P
3-Well	208-240		8.8	700	15	6-15P
4-Well			11.7	700	15	6-15P
3-Well with Lights*	120		19.4	525	30	5-30P
4-Well with Lights*			25.8	525	50	5-50P
3-Well with Lights*	120/208-240		13	700	20	14-20P
4-Well with Lights*			15.9	700	20	14-20P

*Incandescent lamps (250W maximum per fixture)

RECEPTACLE CONFIGURATIONS

 120V NEMA 5-20R	 120V NEMA 5-30R	 208-240V NEMA 6-15R	 120V NEMA 5-50R	 120-240V NEMA 14-20R
------------------------	------------------------	----------------------------	------------------------	-----------------------------

Approvals

Date



Outperform every day.™

www.vollrath.com

The Vollrath Company, L.L.C.

1236 North 18th Street
 Sheboygan, WI 53081-3201 U.S.A.
 Main Tel: 800.624.2051 or 920.457.4851
 Main Fax: 800.752.5620 or 920.459.6573
 Customer Service: 800.628.0830
 Canada Customer Service: 800.695.8560

Technical Services
 techservicereps@vollrathco.com
 Induction Products: 800.825.6036
 Countertop Warming Products: 800.354.1970
 All Other Products: 800.628.0832

AFFORDABLE PORTABLE™ HOT FOOD STATIONS

ACCESSORIES AND ADD-ONS

Tray Slides

- 300 Series stainless steel
- Fold-down mounting brackets
- Adds 5½" (14 cm) to depth in folded position



Item	Description	Depth	Tray Area	Case Lot
39924*	Fits 24" (61 cm) Affordable Portable™	11½" (29.2)	11" (27.9)	1
39946*	Fits 46" (117 cm) Affordable Portable™			1
39960*	Fits 60" (152 cm) Affordable Portable™			1
				1

*Add NF in front of the item number for non-folding model

Cutting Boards

- Polyethylene
- Fold-down mounting brackets
- Adds 4" (10.2 cm) to depth in folded position



Item	Description	Depth	Case Lot
39824*	Fits 24" (61 cm) Affordable Portable™	7" (17.8 cm)	1
39846*	Fits 46" (117 cm) Affordable Portable™		1
39860*	Fits 60" (152 cm) Affordable Portable™		1

*Add NF in front of the item number for non-folding model

Plate Rests

- Stainless steel
- Fold-down mounting kit
- Adds 4½" (11.4 cm) to depth in folded position



Item	Description	Depth	Case Lot
38992*	Fits 24" (61 cm) Affordable Portable™	7" (17.8 cm)	1
38993*	Fits 46" (117 cm) Affordable Portable™		1
38994*	Fits 60" (152 cm) Affordable Portable™		1

*Add NF in front of the item number for non-folding model

Spillage Pans

- Accepts standard size pans
- Use with adapter plates or insets
- Suitable for bulk storage



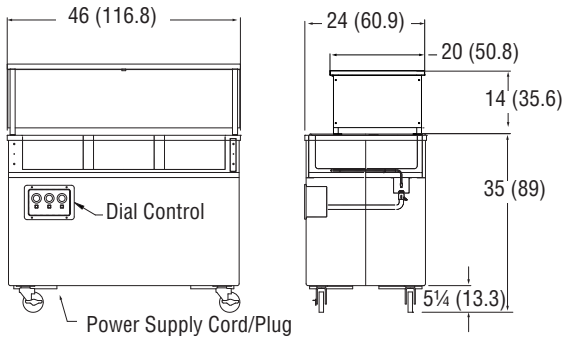
Item	Description	Case Lot
99765	Standard edge stainless spillage pan	1
99780	Dripless stainless spillage pan	1
99785	Aluminum spillage pan	1

Infrared Lamp Bulbs

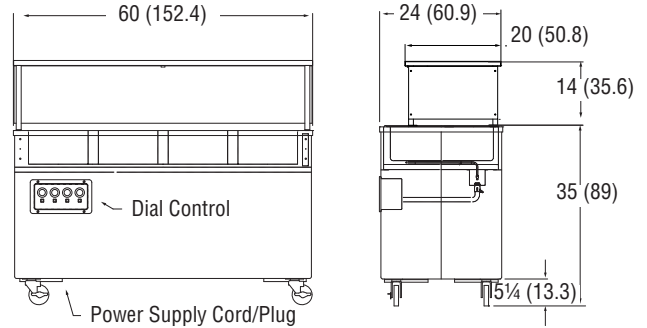
Item	Description	Case Lot
72242	White, 250W	1 Dozen
72241	Red, 250W	1 Dozen

DIMENSIONS (Shown in inches (cm))

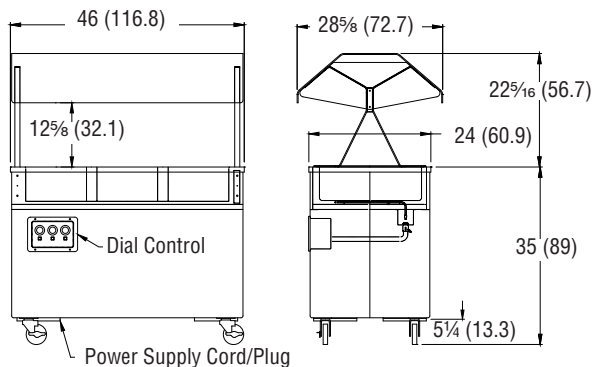
3 Well Hot Food Station with NSF2 Cafeteria Breath Guard



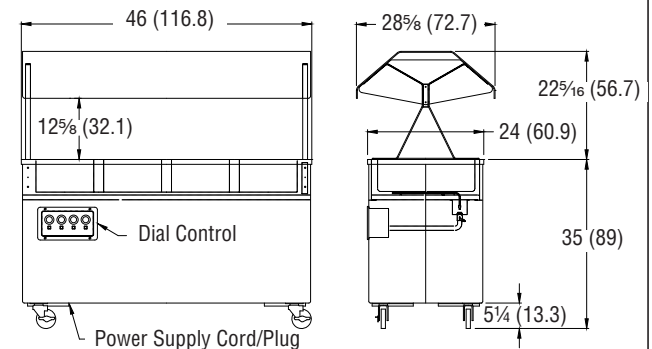
4 Well Hot Food Station with NSF2 Cafeteria Breath Guard



3 Well Hot Food Station with Standard Buffet Breath Guard



4 Well Hot Food Station with Standard Buffet Breath Guard



3 Well Storage Opening: 24 x 23 x 16½ (61 x 58 x 42)

4 Well Storage Opening: 36 x 23 x 16½ (91.59/24/15 x 58 x 42)



Outperform every day.™

www.vollrath.com

The Vollrath Company, L.L.C.

1236 North 18th Street
 Sheboygan, WI 53081-3201 U.S.A.
 Main Tel: 800.624.2051 or 920.457.4851
 Main Fax: 800.752.5620 or 920.459.6573
 Customer Service: 800.628.0830
 Canada Customer Service: 800.695.8560

Technical Services

techservicereps@vollrathco.com
 Induction Products: 800.825.6036
 Countertop Warming Products: 800.354.1970
 All Other Products: 800.628.0832