



Outperform every day.™

Project:

Item Number:

Quantity:

**AFFORDABLE PORTABLE™ – DELUXE HOT FOOD STATIONS**



Affordable Portable™ Deluxe Hot Food Station Shown with NSF2 Buffet Breath Guard

**DESCRIPTION & FEATURES**

- Vollrath Affordable Portable™ hot food stations are constructed of vinyl-clad, 20-gauge carbon steel.
- Thermoset wells with high-efficiency 480W in-water heating element.
- Sealed well - no spillage pans required.
- Manifold drains.
- NSF2 buffet or NSF2 cafeteria style acrylic breath guard.
- The hot food stations are available in four versatile colors: granite, walnut woodgrain, black and cherry woodgrain.
- 20 gauge 300 series stainless steel work surfaces.
- Two locking casters included.
- Dial controls.
- 8 ft. power cord.
- **Affordable Portable™ orders cannot be canceled or returned.**

**Lighting Option**

- Factory-installed option
- Requires Buffet breath guard
- 120V
- Bulbs not included

**AGENCY LISTINGS**



**WARRANTY:** All models shown come with Vollrath's standard warranty against defects in materials and workmanship. For full warranty details, please refer to [www.Vollrath.com](http://www.Vollrath.com).

Due to continued product improvement, please consult [www.vollrath.com](http://www.vollrath.com) for current product specifications.

**ITEMS**

Description	Walnut		Cherry	
	Black	Woodgrain	Granite	Woodgrain
<b>3 Well NSF2 Buffet Breath Guard Deluxe Hot Food Station – 120V</b>				
Solid Base <sup>1</sup>	T38707	T38935	T38727	T38767
Solid Base w/ Lights <sup>2</sup>	T3870746	T3893546	T3872746	T3876746
Open Storage Base <sup>1</sup>	T38708	T38936	T38728	T38768
Open Storage w/ Lights <sup>2</sup>	T3870846	T3893646	T3872846	T3876846
Storage Base w/ Door <sup>1</sup>	T38709	T38937	T38729	T38769
Storage w/ Door, w/ Lights <sup>2</sup>	T3870946	T3893746	T3872946	T3876946
<b>3 Well NSF2 Cafeteria Breath Guard Deluxe Hot Food Station – 120V</b>				
Solid Base <sup>1</sup>	T39707	T39935	T39727	T39767
Open Storage Base <sup>1</sup>	T39708	T39936	T39728	T39768
Storage Base w/ Door <sup>1</sup>	T39709	T39937	T39729	T39769
<b>4 Well NSF2 Buffet Breath Guard Deluxe Hot Foot Station – 120V</b>				
Solid Base <sup>1</sup>	T38710	T38945	T38730	T38770
Solid Base w/ Lights <sup>2</sup>	T3871060	T3894560	T3873060	T3877060
Open Storage Base <sup>1</sup>	T38711	T38946	T38731	T38771
Open Storage w/ Lights <sup>2</sup>	T3871160	T3894660	T3873160	T3877160
Storage Base w/ Door <sup>1</sup>	T38712	T38947	T38732	T38772
Storage w/ Door, w/ Lights <sup>2</sup>	T3871260	T3894760	T3873260	T3877260
<b>4 Well NSF2 Cafeteria Breath Guard Deluxe Hot Foot Station – 120V</b>				
Solid Base <sup>1</sup>	T39710	T39945	T39730	T39770
Open Storage Base <sup>1</sup>	T39711	T39948	T39731	T39771
Storage Base w/ Door <sup>1</sup>	T39712	T39947	T39732	T39772

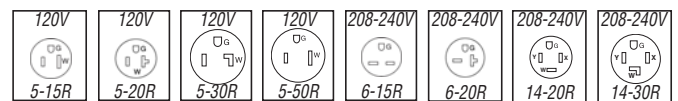
<sup>1</sup> For 208-240V without lights, add 2 to the item number.  
<sup>2</sup> For 120/208 and 120/240V with lights, add 4 to the item number.

**ELECTRICAL SPECIFICATIONS**

Description	Volts	Hz	Amps	Watts per Well	Electrical Service Amps	NEMA Plug
3 Well	120	60	12	480	15	5-15P
4 Well			16		20	5-20P
3 Well	208-240		8.7-10	600-800	15	6-15P
4 Well			11.5-13.3		20	6-20P
3 Well with Lights*	120		18.3	480	30	5-30P
4 Well with Lights*			24.3		50	5-50P
3 Well with Lights*	120/208-240		12.9-14.2	600-800	20	14-20P
4 Well with Lights*			15-16.3		30	14-30P

\* Incandescent lamps (250W maximum per fixture)

**RECEPTACLE CONFIGURATIONS**



Approvals

Date

--

Affordable Portable™ – Deluxe Hot Food Stations

The Vollrath Company, L.L.C.



Outperform every day.™

[www.vollrath.com](http://www.vollrath.com)

**The Vollrath Company, L.L.C.**

1236 North 18th Street  
 Sheboygan, WI 53081-3201 U.S.A.  
 Main Tel: 800.624.2051 or 920.457.4851  
 Main Fax: 800.752.5620 or 920.459.6573  
 Customer Service: 800.628.0830  
 Canada Customer Service: 800.695.8560

Technical Services  
 techservicereps@vollrathco.com  
 Induction Products: 800.825.6036  
 Countertop Warming Products: 800.354.1970  
 All Other Products: 800.628.0832

# AFFORDABLE PORTABLE™ – DELUXE HOT FOOD STATIONS

## ACCESSORIES AND ADD-ONS

### Tray Slides

- 300 Series stainless steel
- Fold-down mounting brackets
- Adds 5½" (14 cm) to depth in folded position



Item	Description	Overall Depth	Tray Area	Case Lot
39924*	Fits 24" (61 cm) Affordable Portable™	11½" (29.2)	11" (27.9)	1
39946*	Fits 46" (117 cm) Affordable Portable™			1
39960*	Fits 60" (152 cm) Affordable Portable™			1

\*Add NF in front of the item number for non-folding model

### Plate Rests

- Stainless steel
- Fold-down mounting brackets
- Adds 4½" (11.4 cm) to depth in folded position



Item	Description	Depth	Case Lot
38992*	Fits 24" (61 cm) Affordable Portable™	7" (17.8 cm)	1
38993*	Fits 46" (117 cm) Affordable Portable™		1
38994*	Fits 60" (152 cm) Affordable Portable™		1

\*Add NF in front of the item number for non-folding model

### Cutting Boards

- Polyethylene
- Fold-down mounting brackets
- Add 4" (10.2 cm) to depth in folded position



Item	Description	Depth	Case Lot
39824*	Fits 24" (61 cm) Affordable Portable™	7" (17.8 cm)	1
39846*	Fits 46" (117 cm) Affordable Portable™		1
39860*	Fits 60" (152 cm) Affordable Portable™		1

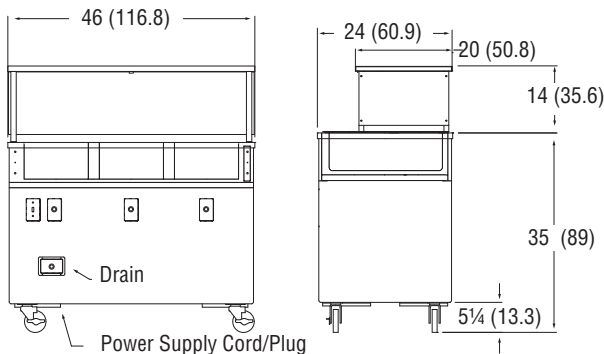
\*Add NF in front of the item number for non-folding model

### Infrared Lamp Bulbs

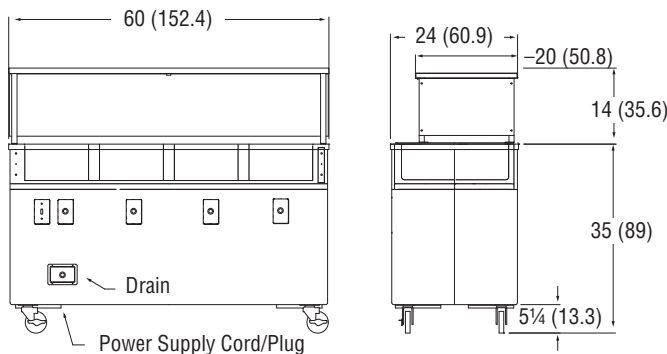
Item	Description	Case Lot
72242	White, 250W	1 Dozen
72241	Red, 250W	1 Dozen

## DIMENSIONS (Shown in inches (cm))

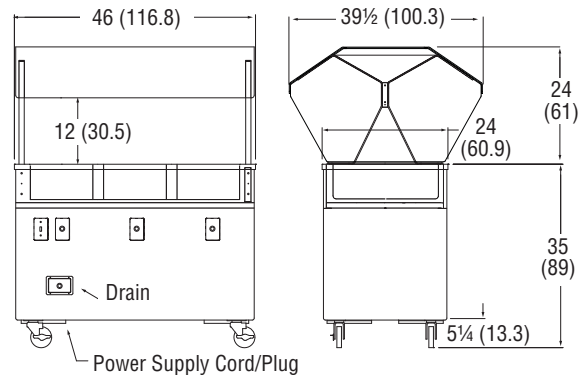
### 3 Well Deluxe Hot Food Station with NSF2 Cafeteria Breath Guard



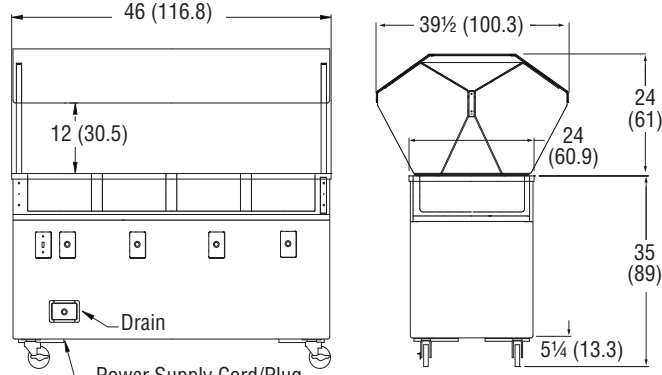
### 4 Well Deluxe Hot Food Station with NSF2 Cafeteria Breath Guard



### 3 Well Deluxe Hot Food Station with NSF2 Buffet Breath Guard



### 4 Well Deluxe Hot Food Station with NSF2 Buffet Breath Guard



**3 Well Storage Opening:** 24 x 23 x 16½ (61 x 58 x 42)

**4 Well Storage Opening:** 36 x 23 x 16½ (91.59/24/15 x 58 x 42)



Outperform every day.™

[www.vollrath.com](http://www.vollrath.com)

**The Vollrath Company, L.L.C.**  
 1236 North 18th Street  
 Sheboygan, WI 53081-3201 U.S.A.  
 Main Tel: 800.624.2051 or 920.457.4851  
 Main Fax: 800.752.5620 or 920.459.6573  
 Customer Service: 800.628.0830  
 Canada Customer Service: 800.695.8560

Technical Services  
 techservicereps@vollrathco.com  
 Induction Products: 800.825.6036  
 Countertop Warming Products: 800.354.1970  
 All Other Products: 800.628.0832