



Outperform every day.™

Project:

Item Number:

Quantity:

SERVEWELL® COLD FOOD TABLE



ServeWell® Cold Food Table

DESCRIPTION

We build each ServeWell® unit with heavy-gauge stainless steel, and engineer the body, legs, and base for strength and durability. The complete line of ServeWell® food tables is designed to eliminate the frustrations you have had with traditional food service units.

Vollrath offers the first truly innovative design in value-priced mobile serving equipment.

The insulated cold pan well provides adequate depth for sufficient ice capacity to enable short-term holding of full or fractional size pans, insets, crocks and bain maries.

FEATURES

- Stainless steel top, wrapper, uprights, undershelf, and stainless steel ice pan.
- Well insulated with EPS foam material.
- Pitched to a 1" (3 cm) drain and plug.
- Standard stationary legs are 6" (15.2cm) high with 1" (2.5 cm) adjustment.
- Optional non-marking castors are 4" (10.2 cm) diameter, NSF approved swivel type, two with brakes.

Note: ServeWell® Cold Food Table orders cannot be canceled or returned.

Agency Listings



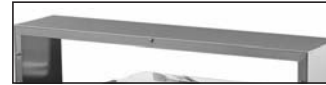
Due to continued product improvement, please consult www.vollrath.com for current product specifications.

MODELS

- 38012 Two Pan Well
- 38013 Three Pan Well
- 38014 Four Pan Well
- 38015 Five Pan Well

ACCESSORIES Dimensions shown in inches (cm)

Work/Overshelf w/o Acrylic Panel



Item	Length x Width x Height
38042	32 x 10 x 13 (81.3 x 25.4 x 33)
38043	46 x 10 x 13 (116.8 x 25.4 x 33)
38044	61¼ x 10 x 13 (155.6 x 25.4 x 33)
38045	76 x 10 x 13 (193 x 25.4 x 33)

Double-Deck Overshelf w/o Acrylic Panel (Not pictured)

Item	Length x Width x Height
38032	32 x 10 x 26 (81.3 x 25.4 x 66)
38033	46 x 10 x 26 (116.8 x 25.4 x 66)
38034	61¼ x 10 x 26 (155.6 x 25.4 x 66)
38035	76 x 10 x 26 (193 x 25.4 x 66)

Single Deck Cafeteria Guard



Item	Length x Width x Height
38052	32 x 10 x 13 (81.3 x 25.4 x 33)
38053	46 x 10 x 13 (116.8 x 25.4 x 33)
38054	61¼ x 10 x 13 (155.6 x 25.4 x 33)
38055	76 x 10 x 13 (193 x 25.4 x 33)

Buffet Breath Guards*



*For units only with 4 guide holes per side.

Item	Length x Width x Height
38062	32 x 35¾ x 23½ (81.2 x 89.8 x 59.7)
38063	46 x 35¾ x 23½ (116.8 x 89.8 x 59.7)
38064	61¼ x 35¾ x 23½ (155.6 x 89.8 x 59.7)
38065	76 x 35¾ x 23½ (193 x 89.8 x 59.7)

Operator Side Poly Cutting Board



Item	Length x Width x Height
38072	32 x 8 x 1 (81.3 x 20.3 x 2.5)
38073	46 x 8 x 1 (116.8 x 20.3 x 2.5)
38074	61¼ x 8 x 1 (155.6 x 20.3 x 2.5)
38075	76 x 8 x 1 (193 x 20.3 x 2.5)

Customer Side Plate Rest



Item	Length x Width x Height
38092	32 x 8 x 1 (81.3 x 20.3 x 2.5)
38093	46 x 8 x 1 (116.8 x 20.3 x 2.5)
38094	61¼ x 8 x 1 (155.6 x 20.3 x 2.5)
38095	76 x 8 x 1 (193 x 20.3 x 2.5)

Caster Set



Item	Description
38099	4 (10.2) swivel wheels, two with brakes
3809934	4 (10.2) swivel wheels, two with brakes, ADA HT

WARRANTY: All models shown come with Vollrath's standard warranty against defects in materials and workmanship. For full warranty details, please refer to the Vollrath Equipment and Smallwares Catalog.

Approvals	Date



Outperform every day.™
www.vollrath.com

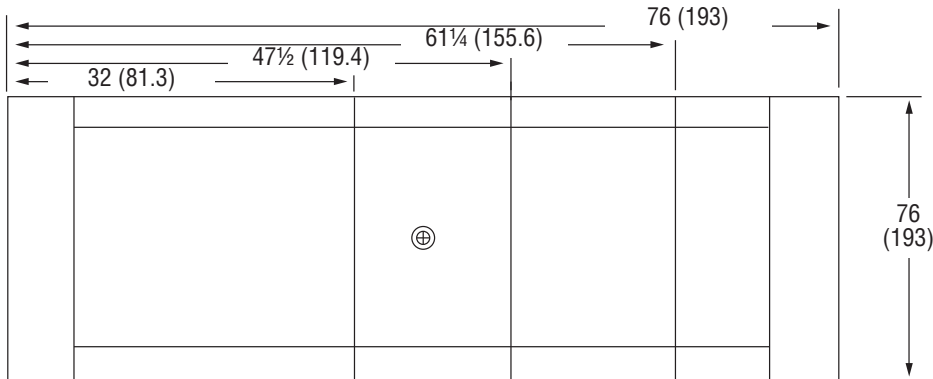
The Vollrath Company, L.L.C.
1236 North 18th Street
Sheboygan, WI 53081-3201 U.S.A.
Customer Service: 800.628.0830
Canada Customer Service: 800.695.8560
Main Fax: 800.752.5620 or 920.459.6573

Technical Services: 800.628.0832
Technical Services Fax: 920.459.5462

SERVEWELL® COLD FOOD TABLE

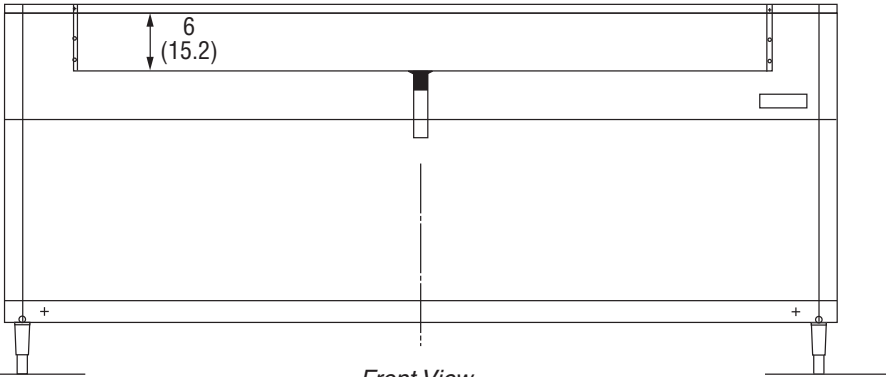
DIMENSIONS

Dimensions shown in inches (cm).

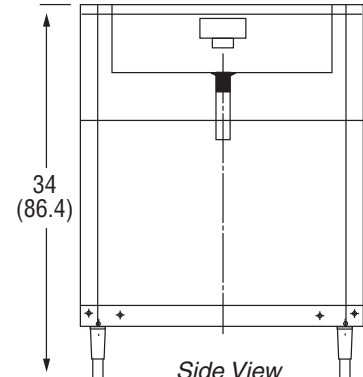


Top View

Item	Well Length
Two Pan Well	34¾ (63)
Three Pan Well	37½ (95)
Four Pan Well	50¼ (128)
Five Pan Well	63 (160)



Front View



Side View



Outperform every day.™

www.vollrath.com

The Vollrath Company, L.L.C.
 1236 North 18th Street
 Sheboygan, WI 53081-3201 U.S.A.
 Customer Service: 800.628.0830
 Canada Customer Service: 800.695.8560
 Main Fax: 800.752.5620 or 920.459.6573

Technical Services: 800.628.0832
 Technical Services Fax: 920.459.5462