



Outperform every day.™

Project:

Item Number:

Quantity:

## AFFORDABLE PORTABLE™ NON-REFRIGERATED COLD FOOD STATIONS



Affordable Portable™ Cold Food Station Shown with NSF2 Buffet Breath Guard

### DESCRIPTION & FEATURES

- Vollrath Affordable Portable™ cold stations are constructed of vinyl-clad, 20-gauge carbon steel.
- Foamed-in-place polyurethane foam insulation.
- 1 (2.54 cm) drain makes clean-up easy.
- NSF2 buffet or NSF2 cafeteria style acrylic breath guard.
- The non-refrigerated cold stations are available in four versatile colors: granite, walnut woodgrain, black and cherry woodgrain.
- Seamless one-piece 20 gauge 300 series stainless steel work surfaces.
- Locking casters included.
- **Affordable Portable™ orders cannot be canceled or returned.**

### Lighting Option

- Factory-installed option
- Requires Buffet breath guard
- 120V
- Bulbs not included

### AGENCY LISTINGS



Stations with electrical components are UL listed.

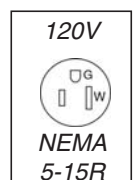
Due to continued product improvement, please consult [www.vollrath.com](http://www.vollrath.com) for current product specifications.

### ITEMS

Description	Black	Walnut Woodgrain	Granite	Cherry Woodgrain
<b>3 Pan (46") NSF2 Buffet Breath Guard Cold Food Station – 120V</b>				
Solid Base	38713	38950	38733	38773
Solid Base w/ Lights	3871346	3895046	3873346	3877346
Open Storage Base	38714	38951	38734	38774
Open Storage w/ Lights	3871446	3895146	3873446	3877446
Storage Base w/ Door	38715	38952	38735	38775
Storage w/ Door, w/ Lights	3871546	3895246	3873546	3877546
<b>3 Pan (46") NSF2 Cafeteria Breath Guard Cold Food Station – 120V</b>				
Solid Base	39713	39950	39733	39773
Open Storage Base	39714	39951	39734	39774
Storage Base w/ Door	39715	39952	39735	39775
<b>4 Pan (60") NSF2 Buffet Breath Guard Cold Food Station – 120V</b>				
Solid Base	38716	38960	38736	38776
Solid Base w /Lights	3871660	3896060	3873660	3877660
Open Storage Base	38717	38961	38737	38777
Open Storage w/ Lights	3871760	3896160	3873760	3877760
Storage Base w/ Door	38718	38962	38738	38778
Storage w/ Door, w/ Lights	3871860	3896260	3873860	3877860
<b>4 Pan (60") NSF2 Cafeteria Breath Guard Cold Food Station – 120V</b>				
Solid Base	39716	39959	39736	39776
Open Storage Base	39717	39961	39737	39777
Storage Base w/ Door	39718	39962	39738	39778

### ELECTRICAL SPECIFICATIONS

Description	With Incandescent Lamps (250W maximum per fixture)				
	Volts	Hz	Amps	Electrical Service (A)	NEMA Plug
46" Utility Station	120	60	6.0	15	5-15P
60" Utility Station			8.0		



**WARRANTY:** All models shown come with Vollrath's standard warranty against defects in materials and workmanship. For full warranty details, please refer to [www.vollrath.com](http://www.vollrath.com).

Approvals	Date



Outperform every day.™

[www.vollrath.com](http://www.vollrath.com)

### The Vollrath Company, L.L.C.

1236 North 18th Street  
 Sheboygan, WI 53081-3201 U.S.A.  
 Main Tel: 800.624.2051 or 920.457.4851  
 Main Fax: 800.752.5620 or 920.459.6573  
 Customer Service: 800.628.0830  
 Canada Customer Service: 800.695.8560

Technical Services  
 techservicereps@vollrathco.com  
 Induction Products: 800.825.6036  
 Countertop Warming Products: 800.354.1970  
 All Other Products: 800.628.0832

Affordable Portable™ Non-Refrigerated Cold Food Stations

The Vollrath Company, L.L.C.

# AFFORDABLE PORTABLE™ NON-REFRIGERATED COLD FOOD STATIONS

## ACCESSORIES AND ADD-ONS

### Tray Slides

- 300 Series stainless steel
- Fold-down mounting brackets
- Adds 5½" (14 cm) to depth in folded position



Item	Description	Depth	Tray Area	Case Lot
39924*	Fits 24" (61 cm) Affordable Portable™	11½" (29.2)	11" (27.9)	1
39946*	Fits 46" (117 cm) Affordable Portable™			1
39960*	Fits 60" (152 cm) Affordable Portable™			1

\*Add NF in front of the item number for non-folding model

### Cutting Boards

- Polyethylene
- Fold-down mounting brackets
- Adds 4" (10.2 cm) to depth in folded position



Item	Description	Depth	Case Lot
39824*	Fits 24" (61 cm) Affordable Portable™	7" (17.8 cm)	1
39846*	Fits 46" (117 cm) Affordable Portable™		1
39860*	Fits 60" (152 cm) Affordable Portable™		1

\*Add NF in front of the item number for non-folding model

### Plate Rests

- Stainless steel
- Fold-down mounting kit
- Adds 4½" (11.4 cm) to depth in folded position



Item	Description	Depth	Case Lot
38992*	Fits 24" (61 cm) Affordable Portable™	7" (17.8 cm)	1
38993*	Fits 46" (117 cm) Affordable Portable™		1
38994*	Fits 60" (152 cm) Affordable Portable™		1

\*Add NF in front of the item number for non-folding model

### Spillage Pans

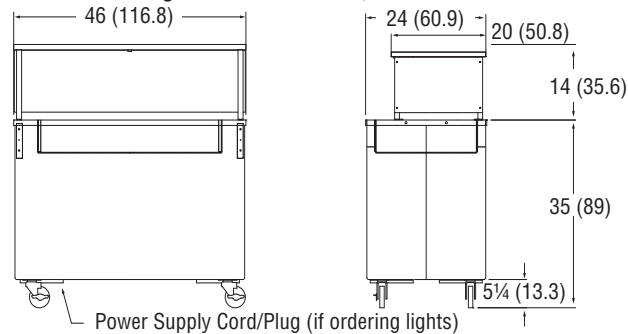
- Accepts standard size pans
- Use with adapter plates or insets
- Suitable for bulk storage



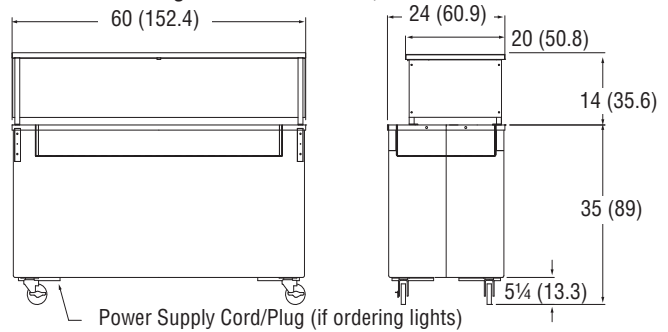
Item	Description	Case Lot
99765	Standard edge stainless spillage pan	1
99780	Dripless stainless spillage pan	1
99785	Aluminum spillage pan	1

## DIMENSIONS (Shown in inches (cm))

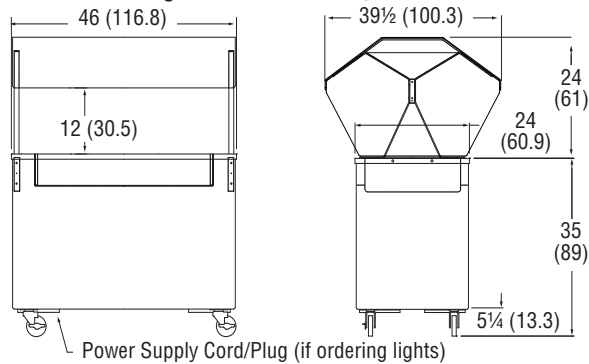
### 3 Pan Non-Refrigerated Cold Station, NSF2 Cafeteria Breath Guard



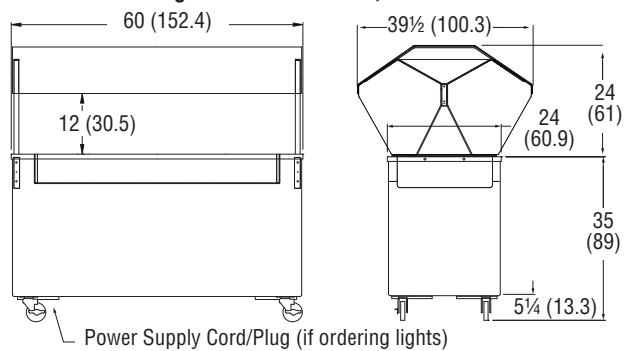
### 4 Pan Non-Refrigerated Cold Station, NSF2 Cafeteria Breath Guard



### 3 Pan Non-Refrigerated Cold Station, NSF2 Buffet Breath Guard



### 4 Pan Non-Refrigerated Cold Station, NSF2 Buffet Breath Guard



**3 Well Storage Opening:** 36 x 23 x 16½ (91.5 x 58 x 42)

**4 Well Storage Opening:** 50 x 23 x 16½ (127 x 58 x 42)



Outperform every day.™

[www.vollrath.com](http://www.vollrath.com)

**The Vollrath Company, L.L.C.**  
 1236 North 18th Street  
 Sheboygan, WI 53081-3201 U.S.A.  
 Main Tel: 800.624.2051 or 920.457.4851  
 Main Fax: 800.752.5620 or 920.459.6573  
 Customer Service: 800.628.0830  
 Canada Customer Service: 800.695.8560

Technical Services  
[techservices@vollrathco.com](mailto:techservices@vollrathco.com)  
 Induction Products: 800.825.6036  
 Countertop Warming Products: 800.354.1970  
 All Other Products: 800.628.0832