



Outperform every day.™

Project:

Item Number:

Quantity:

COUNTERTOP INDUCTION WOK RANGE

ITEMS

6958301 Induction Wok Range with Carbon Steel Wok Pan



Countertop Induction Wok Range

DESCRIPTION

Vollrath's Countertop Induction Wok Range, with included carbon steel wok pan, uses the high efficiency of induction to provide gas-like performance in a safe, flameless, easy-to-use, electric appliance for commercial use.

It has the power to heat to the true wok temperatures commercial kitchens require. A unique, industrial design case looks great as a countertop range, or can be installed as a drop-in range.

The Countertop Induction Wok Range is equipped with a variety of safety features including:

- Over-heat protection
- Small-article detection
- Pan auto-detection function
- Empty-pan shut-off

FEATURES

- G4 4 IGBT engine
- 100 power settings for precise cooking control
- Turbo button reaches max power in seconds
- Continuous duty induction circuitry for non-stop cooking
- Bright digital display is easy to clean
- Standard size impact resistant induction ceramic bowl works with most 14" (35.6 cm) carbon steel or induction-ready stainless steel wok pans
- Includes Vollrath 14" carbon steel wok, item number 58814
- Rubber feet to prevent slipping
- Units come with 6' cord and plug
- One year parts and labor warranty

IMPORTANT

- Do not install in areas where other equipment can exhaust directly into the Induction Wok.
- Requires a minimum clearance of 4" (10 cm) of space between each side of the Induction Wok and any surrounding surface.
- Requires a minimum clearance under the Induction Wok of a distance equal to the height of the feet of the Induction Wok. Unit draws air from below. It must not be placed on a soft surface that could restrict airflow to the bottom of the unit.
- The maximum intake temperature must not exceed 110°F (43°C). Temperatures are measured in ambient air while all appliances in the kitchen are in operation.

Agency Certifications



This device complies with Part 18 FCC Rules.

Due to continued product improvement, please consult www.vollrathco.com for current product specifications.

WARRANTY: All models shown come with Vollrath's standard warranty against defects in materials and workmanship. For full warranty details, please refer to www.Vollrath.com.

Approvals

Date

Approvals	Date



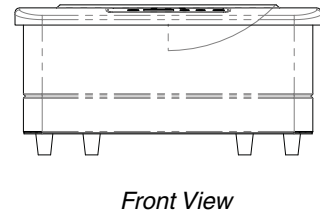
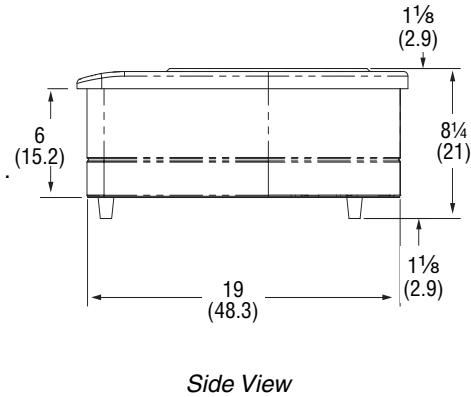
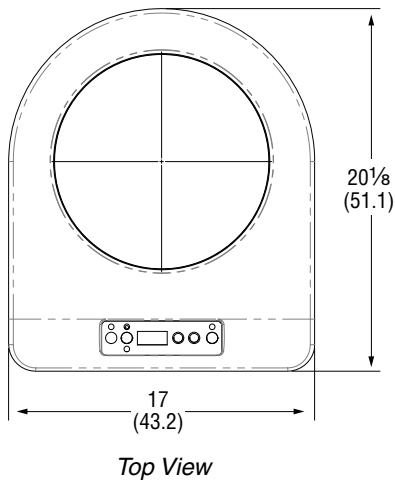
Outperform every day.™
www.vollrath.com

The Vollrath Company, L.L.C.
1236 North 18th Street
Sheboygan, WI 53081-3201 U.S.A.
Customer Service: 800.628.0830
Canada Customer Service: 800.695.8560
Main Fax: 800.752.5620 or 920.459.6573

Technical Services: 800.628.0832
Technical Services Fax: 920.459.5462

COUNTERTOP INDUCTION WOK RANGE

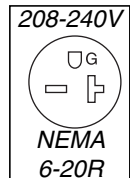
DIMENSIONS (Shown in inches (cm))



SPECIFICATIONS

Item No.	Volts	HZ	kW	Amps	Plug	Weight LB (KG)	Shipping Dimensions IN (CM)	Shipping Weight LB (KG)
6958301	208-240	50/60	3.0-3.5	14.6	NEMA 6-20P	34.8 (15.8)	20 ³ / ₄ x 23 ³ / ₄ x 17 (52.7 x 60.3 x 43.2)	44.2 (20)

Receptacle



Outperform every day.™

www.vollrath.com

The Vollrath Company, L.L.C.
1236 North 18th Street
Sheboygan, WI 53081-3201 U.S.A.
Customer Service: 800.628.0830
Canada Customer Service: 800.695.8560
Main Fax: 800.752.5620 or 920.459.6573

Technical Services: 800.628.0832
Technical Services Fax: 920.459.5462