

WORKTOP FREEZERS

VWF36

- Equipped with Secure-Temp 1.0™ Technology™
- 3 Year Parts & Labor Warranty Plus an Additional 2 Year Compressor Warranty
- Exclusive 2 Year Warranty on Santoprene Door Gaskets

VICTORY ULTRASPEC™
FEATURING: **SecureTemp™**
1.0

Secure-Temp 1.0™ is the industry's first and only full service temperature monitoring solution for your kitchen. Secure-Temp 1.0™ is standard on all Victory models and is HACCP compliant & meets NAFEM's data protocol.

There are NO software or monthly monitoring fees.
Optional add on kits are available for additional units.

STANDARD FEATURES

- Secure-Temp 1.0™ Technology
- 3 Year Parts & Labor Warranty Plus an Additional 2 Year Compressor Warranty
- Expansion Valve Technology
- Full Electronic Control
- High Performance, Balanced, Bottom-Mounted Refrigeration
- Anti-Corrosion Coated Evaporator Coil
- Stainless Steel Exterior / Stainless Steel Interior
- Cabinet back and bottom galvanized steel
- Stainless steel 2 1/2" thick worktop with 4" high foamed in place backsplash
- Environmentally Safe R404A Refrigerant For Freezers
- 2" Thick Foamed-in-Place Polyurethane Insulation
- Self-Closing Door(s) with 120° Hold Open Feature
- Santoprene Door Gaskets with Exclusive 2 Year Warranty
- 2 Epoxy Coated Shelves
- 6" Casters Standard, 2 with Brakes
- Cartridge Style Hinges
- 10' Cord and Plug (see electrical data for details)

Image Coming Soon
VWF36

OPTIONS & ACCESSORIES

- Change Door Swing
- 3" Overall Height Casters (Set of 4)
- Extra Shelves
- 220/50Hz, 220/60 Hz Voltages



3779 Champion Blvd—Winston-Salem, NC 27105

PH: (888) 845-9800 - Fax: (800) 253-5168

sales@victoryrefrigeration.com www.victoryrefrigeration.com

CABINET CONSTRUCTION

Heavy duty construction includes stainless steel on front, sides, doors and grille. Cabinet interior is made from stainless steel. Stainless steel 2 1/2" thick worktop with 4" high foamed in place backsplash. Cabinet back and bottom are galvanized steel. Interior thermometer is standard.

Cabinet is insulated with foamed-in-place polyurethane insulation of 2" minimum thickness. Doors are mounted to cabinet on self-closing, cartridge style hinges with 120° stay open feature. A plug-in type vinyl magnetic gasket is attached to each door for positive seal. Convenient, contoured, pull handle is made of black anodized aluminum. Interior arrangement includes 2 steel wire epoxy coated shelves, adjustable in 1/2 inch increments.

ELECTRONIC CONTROL

REFRIGERATION SYSTEM

Refrigeration system utilizes R134a refrigerant metered by expansion valve. Automatic (non-electric) condensate evaporator is standard. Interior forced air system, with high humidity evaporator coils, provides the ideal environment for food preservation.

Freezer temperature is held at 0°F

CHARACTERISTICS	VWF36
DIMENSIONAL DATA	
Width, Overall (in.)	36"
Depth, Overall (inc. Handles)	32 3/4"
Depth, Door(s) Open 90°	62 1/4"
Height Overall (in.)	39 5/8"
Capacity Net (cu ft)	8.5
No. Full Doors	2
No. of Shelves	2

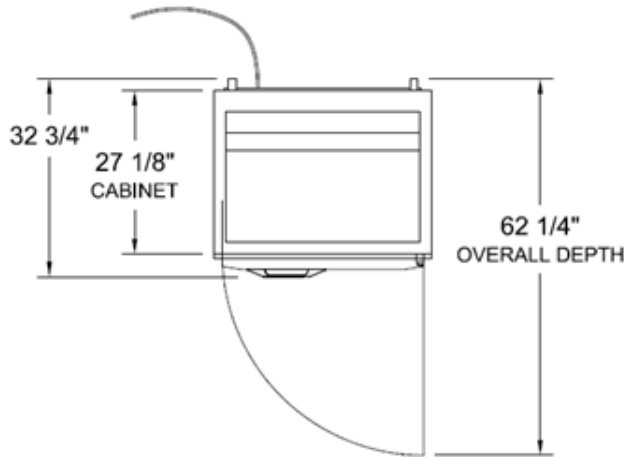
ELECTICAL DATA	
Cabinet Voltage	115/60/1
Total Amperes	8.5

NOTE: Plug style, voltage and full load amps may vary depending on certain options selected such as optional voltages and compressor upgrades.

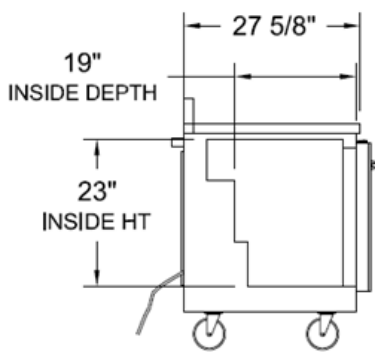
REFRIGERATION DATA	
Condensing Unit Size	1/3 HP
Refrigerant	R-404A

CRATED WEIGHT ONE SECTION	229LBS
--------------------------------------	--------

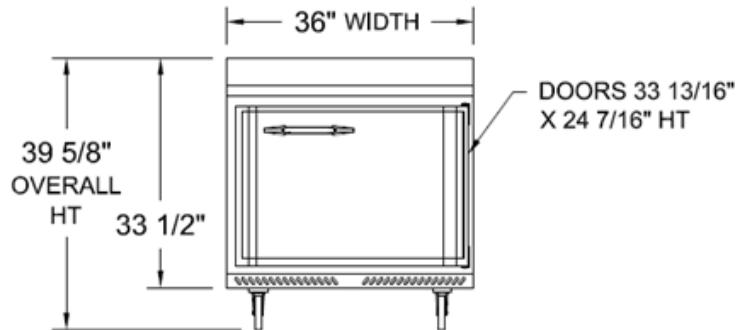
* Remote units use R-404A refrigerant standard and come with 6" legs



TOP VIEW



LEFT SIDE VIEW



FRONT VIEW