

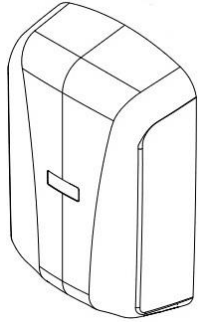
# READ AND SAVE THESE INSTRUCTIONS

## ThinAir® HAND DRYER MODEL TA



# INSTALLATION AND OWNER'S MANUAL

## CONTENTS OF BOX



**1** Hand Dryer

**2** Tamper-Proof Wrench  
Knockout gasket

**3** Installation and Owner's Manual

### MODEL INFO

Dryer Model

Serial Number

Date Of Purchase

### 5-YEAR LIMITED WARRANTY (U.S. Only)

1. This product is warranted to be free of manufacturing defects for five (5) years (one [1] year on Pre-Filter) from the date of shipment from the Manufacturer's factory at 357 Chestnut St., East Longmeadow, Massachusetts 01028. This warranty explicitly excludes normal wear and tear on the Filter or Pre-Filter, as well as faulty installation, accident, misuse, or vandalism.

In the event of a breach of the warranty described above, the Owner shall have either one of the following remedies:

- The Owner shall return the defective product to the Manufacturer, postage prepaid, and the Manufacturer shall repair said product within a reasonable time and free of charge, provided that said product is returned within the stated period above from the date of original shipment from the Manufacturer's factory in East Longmeadow, Massachusetts; and, provided further that said defect is not due to faulty installation, accident, misuse, or vandalism; **or**
- The Owner may notify the Manufacturer by telephone or in writing of the defect and, within a reasonable time, the Manufacturer shall send a suitable replacement part to remedy said defect, and Owner shall be charged for said part at the current price level. The Owner may return the defective part to the Manufacturer, postage prepaid, along with the serial number of the defective product and the Manufacturer will then issue to the Owner a full credit for the repair part, including outgoing postage (within the Continental U.S. only). Said remedy is available only within the stated period stated above from the date of original shipment of the product from the Manufacturer's factory in East Longmeadow, Massachusetts, and provided further that said defect is not due to faulty installation, accident, misuse, or vandalism.

2. Any implied warranties of merchantability or fitness for a particular purpose are hereby limited to the duration of the express written warranty contained in paragraph one (1); namely, five (5) years (one [1] year Pre-Filter) from the date of shipment from the Manufacturer's factory in East Longmeadow, Massachusetts.

3. There are no other warranties and remedies except as contained herein. This warranty shall inure to the benefit of the Owners, Successors and Assigns.

# READ AND SAVE THESE INSTRUCTIONS

## IMPORTANT SAFETY INSTRUCTIONS



**WARNING:** For proper electrical connections, check your local building codes. Your unit must be installed by a qualified, licensed electrician.

### PRE INSTALLATION WIRING

- Check that the electrical supply corresponds to that shown on the rating sticker of unit. If the dryer is connected to any electrical supply other than that stated on the rating sticker of the unit, permanent damage or improper, unsafe operation of the unit may result.
- Make sure electricity is switched off at the main panel before installing, maintaining or cleaning this hand dryer. Dryer must be installed in accordance with current local wiring and building regulations.
- Do not wire this hand dryer into the lighting circuit. It must be protected by an independent circuit.

- Dryer is intended to be permanently connected to power supply, and must be properly grounded.

### SAFETY

- Troubleshooting and internal maintenance must be performed by qualified service personnel.
- Do not use any power wash equipment for cleaning on or near this unit.
- Do not use the dryer for drying hair.
- Do not obstruct air inlets or outlets.

## INSTALLATION INSTRUCTIONS

1. Disconnect the power source previously brought to the hand dryer location (see pre installation wiring above).
2. Use the Tamper-Proof Wrench supplied and remove the Tamper-Proof Bolt on bottom of cover lifting upwards to remove cover from base plate.
3. If electrical wiring entry is to be made from the rear, remove the appropriate pre-formed knockout on the base plate. If entry is to be made from the side, knock out the pre-formed area on the right side of cover for your supply connection using knockout gasket provided. A rigid conduit must be used.
4. Select the appropriate mounting height for dryer (Table 1) and fastener, as recommended (Table 2). There should be no obstruction between the hand dryer and the floor. If mounting over a countertop, distance from counter to dryer must be 15" (381 mm) minimum.
6. Identify the voltage of your dryer from the rating sticker of the unit. Then connect to a dedicated branch circuit not exceeding 20 Amp. per your local wiring and building regulations.
7. Secure electrical wiring to terminals as indicated by the schematic affixed to blower housing. An identified ground connection point is supplied on the Base Plate for your equipment ground wire. Dryers should be installed per local code requirements.
8. In multiple installations, make sure the serial number marked on the inside matches the cover number. Then carefully replace Cover by inserting top of cover over bracket and tilting downward. Use Tamper-Proof Bolt previously removed in step 2.
9. Restore power and test for proper operation.
10. Return Tamper-Proof Wrench to owner.

**CAUTION:** Do not use Base Plate as a guide when drilling. Make sure no pipe work (gas, water, air) or any electrical cables or wires are located directly behind the area to be drilled.

5. Attach Base Plate at the four corners to smooth wall. Use one of 2 knockouts provided for service entry on back of Base Plate. If using surface wiring use knock out in right side of cover. Use Knockout Gasket supplied around conduit for water seal. See Mounting Details.

### TABLE 1

#### 1 SUGGESTED MOUNTING HEIGHT from floor to bottom of dryer:

Men	45" (114 cm)
Women	43" (109 cm)
Teenagers	41" (104 cm)
Small Children	35" (89 cm)
Handicapped	37" (94 cm)

### TABLE 2

#### 2 MOUNTING HARDWARE Recommended Fastener (not supplied):

Masonry Wall	½" Expansion Sleeve with ¼" Lag Bolt
Hollow Wall	¼" Wing Type Toggle Bolt
Wooden Wall	¼" Lag Screw With Washer



# READ AND SAVE THESE INSTRUCTIONS

## TROUBLESHOOTING (continued)

### CODE CHART

Codes are displayed by flashing the red LED in the sensor behind air outlet.

Normal operation will be indicated by the red LED being on when not drying and off when hands are under the sensor.

#### DRYER MAINTENANCE CODES

1 SHORT / 1 LONG FLASH	Clogged Pre-Filter	Clean Pre-Filter	Dryer will still run
1 SHORT / 2 LONG FLASH	Severely Clogged Filter	Clean Pre-Filter	Dryer will stop
2 SHORT / 1 LONG FLASH	In lockout mode	Clear obstruction	Dryer stops until obstruction cleared

#### MOTOR PROBLEM CODES

1 LONG / 3 SHORT FLASH	Motor Over Current	Replace Motor	Dryer will stop
1 LONG / 4 SHORT FLASH	Motor Under Current	Replace Motor	Dryer will stop

#### HEATER PROBLEM CODES

2 LONG / 3 SHORT FLASH	Shorted or incorrect heater	Replace Heater	Dryer will stop
2 LONG / 4 SHORT FLASH	Open/broken heater	Replace Heater	Dryer will still run

#### VOLTAGE PROBLEM CODES

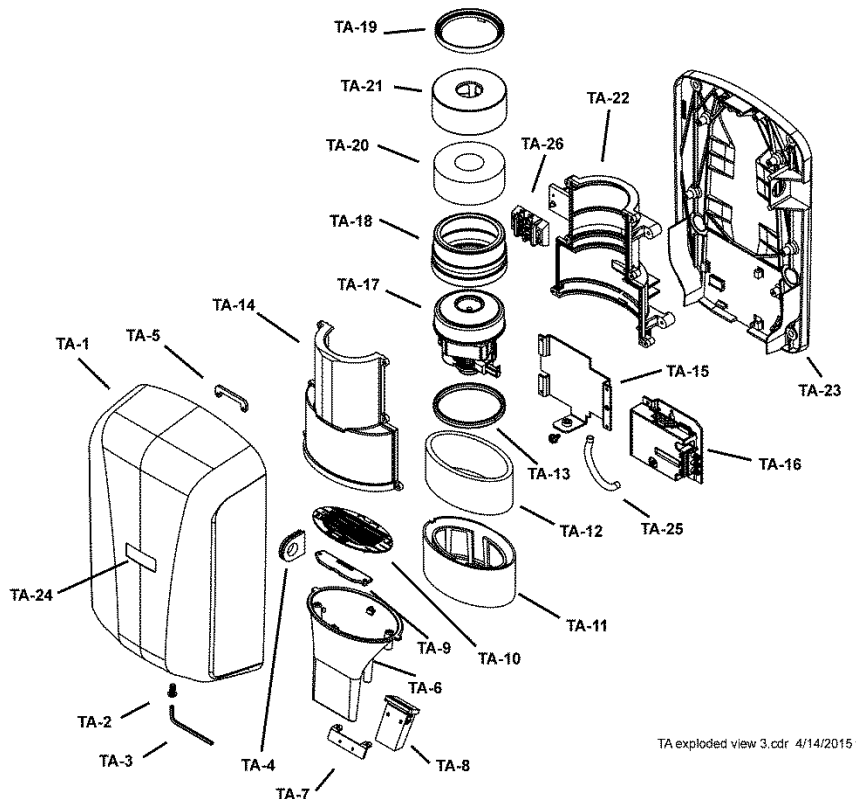
3 LONG / 3 SHORT	Main Panel Over Voltage	Check incoming voltage	Dryer will stop
3 LONG / 4 SHORT	Main Panel Under Voltage	Check incoming voltage	Dryer will stop

If problem cannot be resolved with the above, please call the manufacturer at 1-800-255-9235 and one of our trained technicians will be happy to assist you.

### PARTS LIST

#### Ref. No. Description

TA 1	Cover (includes Nameplate)
TA 2	Tamper-Proof Bolt
TA 3	Tamper-Proof Wrench
TA 4	Knockout Gasket
TA 5	Bracket Cover Hook
TA 6	Nozzle
TA 7	Optic Bracket
TA 8	Optic Assembly
TA 9	Finger Guard
TA 10	Heating Element Assembly
TA 11	Muffler Housing (output)
TA 12	Muffler Foam (output)
TA 13	Motor Gasket Ring
TA 14	Blower Housing (front)
TA 15	Bracket Cover
TA 16	Control Assembly
TA 17	Motor
TA 18	Motor Gasket
TA 19	Pre-filter (includes screen)
TA 20	Muffler Foam (input)
TA 21	Muffler Housing (input)
TA 22	Blower Housing (back)
TA 23	Base Plate
TA 24	Nameplate
TA 25	Tube (pressure)
TA 26	Terminal Block



TA exploded view 3.cdr 4/14/2015 lek