



<b>IMPORTANT FOR FUTURE REFERENCE</b> Please complete this information and retain this manual for the life of the equipment:
Model #: _____
Serial #: _____
Date Purchased: _____

# S-Series Restaurant Range

## Parts Manual



1100 Old Honeycutt Road Fuquay-Varina, North Carolina 27526 USA  
[www.southbendnc.com](http://www.southbendnc.com)

Copyright © 2015 by Southbend. All rights reserved. Published in the United States of America.

Replacement parts may be ordered either through a Southbend Authorized Parts Distributer or a Southbend Authorized Service Agency. It is recommended to verify parts numbs with a Southbend Authorized Parts Supplier or the Southbend Parts/Service Department prior to ordering parts. For assistance, please call the Parts/Service Department (919-762-1000)

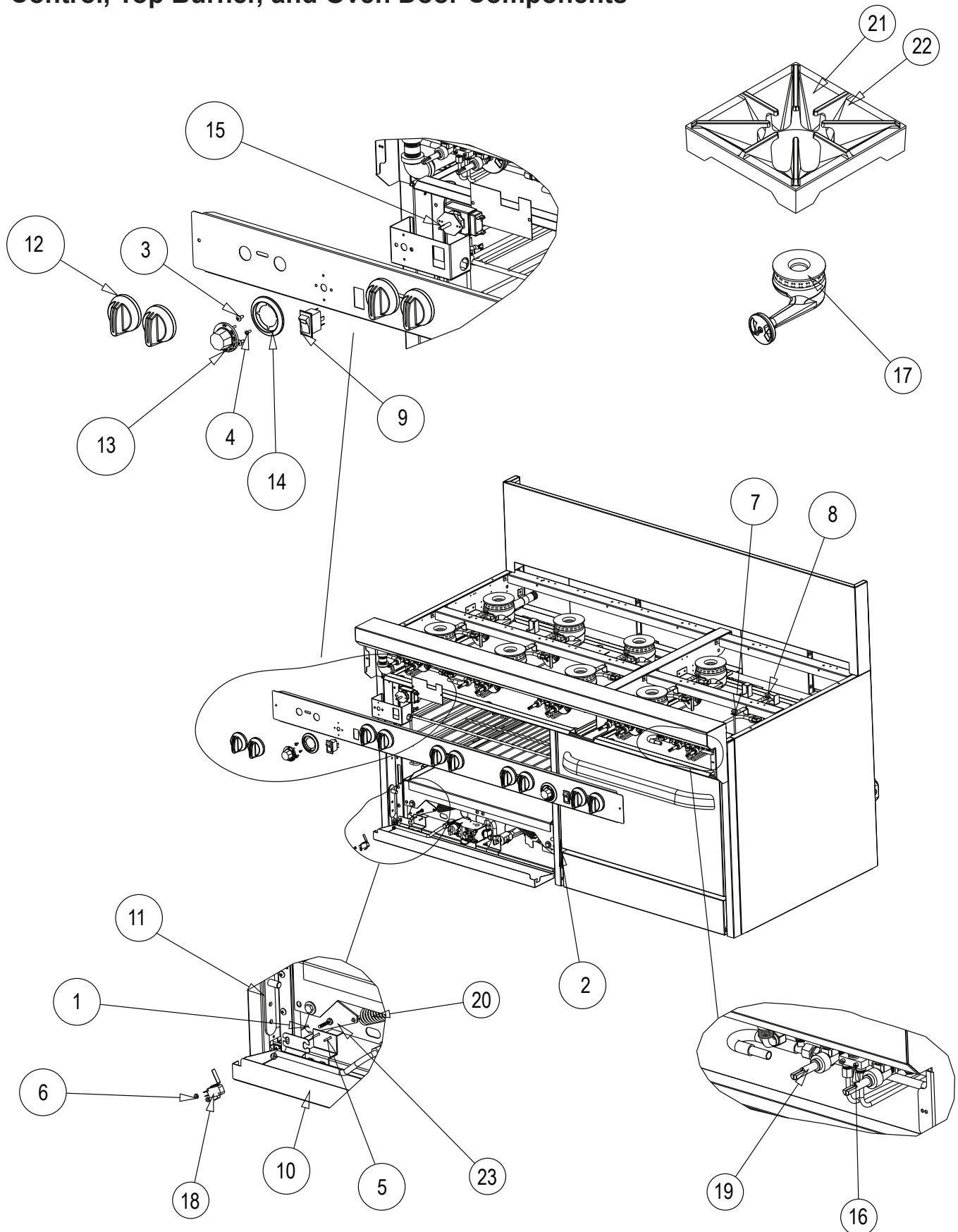
## PARTS

The following tables and figures list serviceable parts. For parts that are not listed, contact a Southbend Authorized Parts Distributor or a Southbend Authorized Service Agency.

<b>Table of Contents</b>	
<b>Page Number</b>	<b>Description</b>
3	Control, Top Burner, and Oven Door Components
5	Oven Components
7	Griddle Components

Figure 1

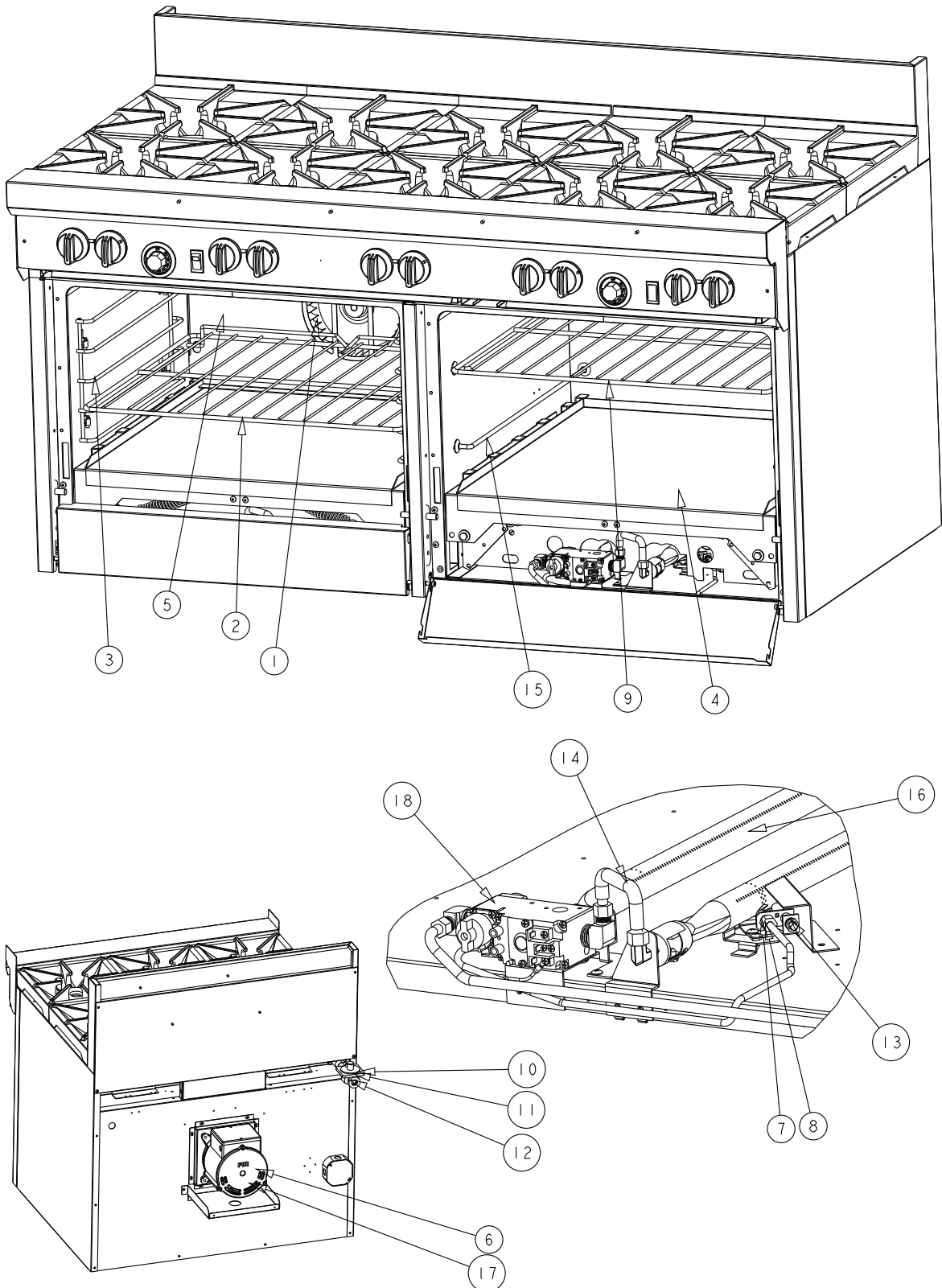
### Control, Top Burner, and Oven Door Components



<b>Control, Top Burner, and Oven Door Components</b>		
<b>Key</b>	<b>Part Number</b>	<b>Description</b>
1	1034900	HOOK, LEFT DOOR
2	1034901	HOOK, RIGHT DOOR
3	1146303	SCREW, #8X1/2 PHILLIPS TRUSS HS
4	1146398	SCREW, 6 - 32x3/8, SS, PHIL PAN HD
5	1172326	SCREW, #4 - 40X3/4, ZINC PLATED,
6	1172327	NUT #4 - 40, ZINC PLATED HEX
7	1177447	FRONT PILOT TUBE ASSY
8	1177448	REAR PILOT TUBE ASSY
9	1179949	SWITCH, ROCKER, WITH LIGHT, 115V
10	1180783	PANEL, KICK (STD)
11	1180861	DOOR HINGE ASSY
12	1184192	KNOB, S-SERIES
13	1190573	KNOB, 550 F THERMOSTAT
14	1190574	BEZEL, 550 F THERMOSTAT
15	1191727	THERMOSTAT, RX- MILLIVOLT 550
16	1166004	FITTING, DOUBLE, PILOT, 3/6" TUBE
17	1177111	BURNER ASSEMBLY, 26K, SHORT
18	1177567	SWITCH, DOOR , SPDT, 15 AMP
19	1178202	VALVE, HI-OFF, NAT / LP
20	1179030	SPRING, S24 OVEN DOOR
	P1089	SPRING, S36 OVEN DOOR
21	1180405	GRATE, S-SERIES REAR HALF
22	1180781	GRATE, S-SERIES FRONT HALF
23	1190769	QUADRANT ASM, S24 LT
	1194249	QUADRANT ASM, S24 RT
	1195164	QUADRANT ASM, CAFE
* Quantity of part used may depend on width of section (24", 36", 48", or 60")		
* For assistance, please call the Parts/Service Department (919-762-1000)		

Figure 2

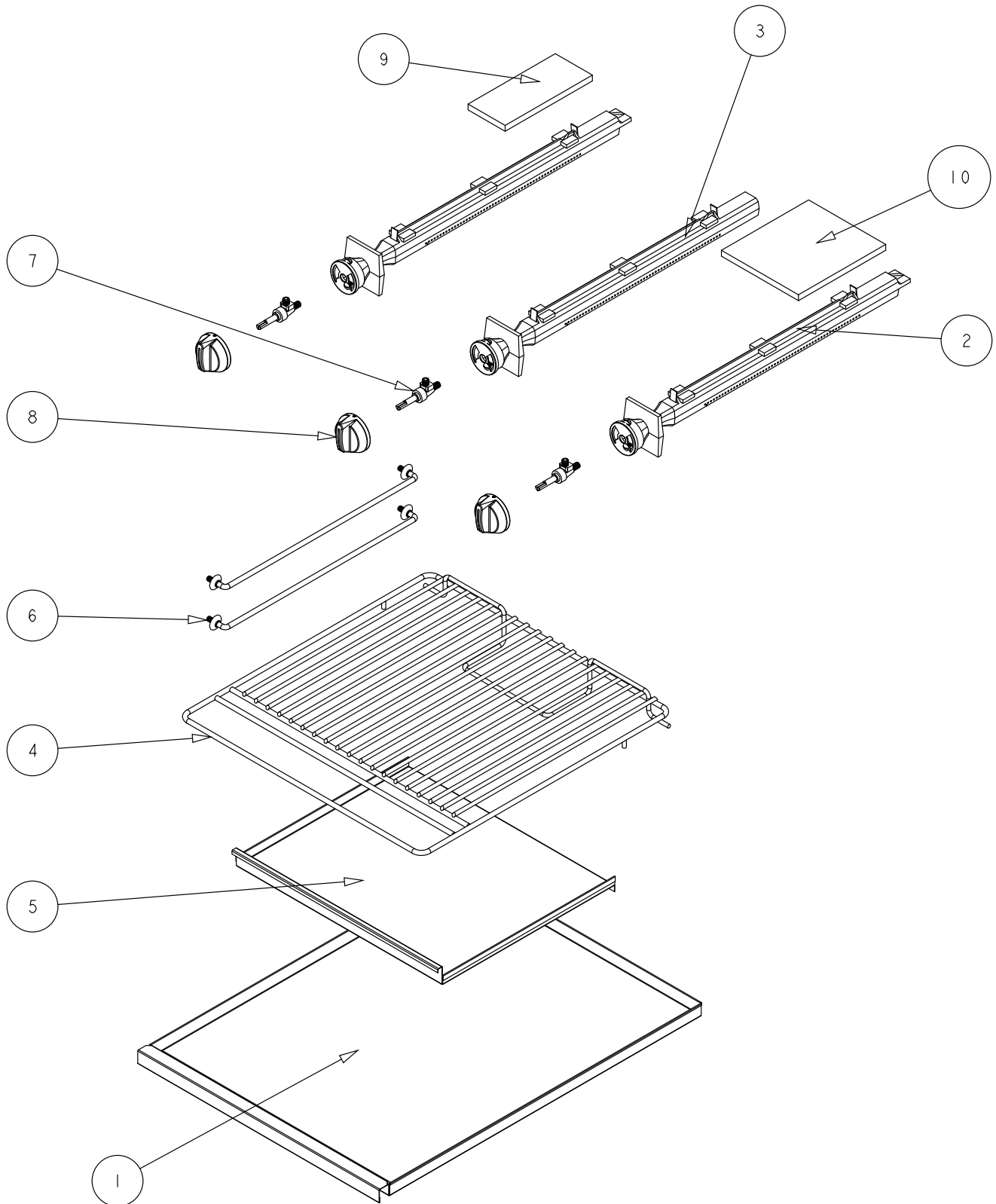
### Oven Components



<b>Oven Components</b>		
<b>Key</b>	<b>Part Number</b>	<b>Description</b>
1	1177520	BLOWER WHEEL GH/EH
2	1179920	RACK, CO OVEN RANGE PLATED
3	1180528	RACK-GUIDE CO BASE
4	1180776	OVEN BOTTOM / FLAME
5	1180834	OVEN BAFFLE BLUE C.O.
6	1194780	MOTOR, 115V SHORT
7	1163869	PILOT, NAT
8	1163870	PILOT, LP
9	1173545CP	RACK, STD OVEN RANGE PLATED
10	1178815	REGULATOR, GAS NAT/LP
11	1181076	REGULATOR, GAS NAT S60
12	1181077	REGULATOR, GAS LP S60
13	1182154	THERMOPILE
14	1183503	3/8" X 9" FLEX TUBE
15	1187571	RACK GUIDE, STD OVEN
16	1190568	BURNER, OVEN
17	1194781	MOTOR, 208/240V SHORT
18	1195750	GAS SAFETY OVEN VALVE
* Quantity of part used may depend on width of section (24", 36", 48", or 60")		
* For assistance, please call the Parts/Service Department (919-762-1000)		

Figure 3

### Griddle Components



<b>Griddle Components</b>		
<b>Key</b>	<b>Part Number</b>	<b>Description</b>
1	1161636	PAN W/A, BROILER DRIP
2	1162924	AIR SHUTTER & BURNER ASM
3	1162925	AIR SHUTTER & BURNER ASM
4	1173554	RACK, BROILER, 21" X 21 3/4"
5	1173555	DRIP PAN, BROILER
6	1173556	ROD, BROILER RACK SUPPORT
7	1178202	VALVE, HI-OFF, NAT / LP
8	1184192	KNOB, S-SERIES
9	P3111	CERAMIC, SIDE
10	P3112	CERAMIC, CENTER
<p>* Quantity of part used may depend on width of section (24", 36", 48", or 60")</p> <p>* For assistance, please call the Parts/Service Department (919-762-1000)</p>		



Notes:

Notes:

# S-SERIES RESTAURANT RANGE



A product with the Southbend name incorporates the best in durability and low maintenance. We all recognize, however, that replacement parts and occasional professional service may be necessary to extend the useful life of this appliance. When service is needed, contact a Southbend Authorized Service Agency, or your dealer. To avoid confusion, always refer to the model number, serial number, and type of your appliance.



Southbend  
1100 Old Honeycutt Road Fuquay-Varina, North Carolina 27526 USA  
[www.southbendnc.com](http://www.southbendnc.com)